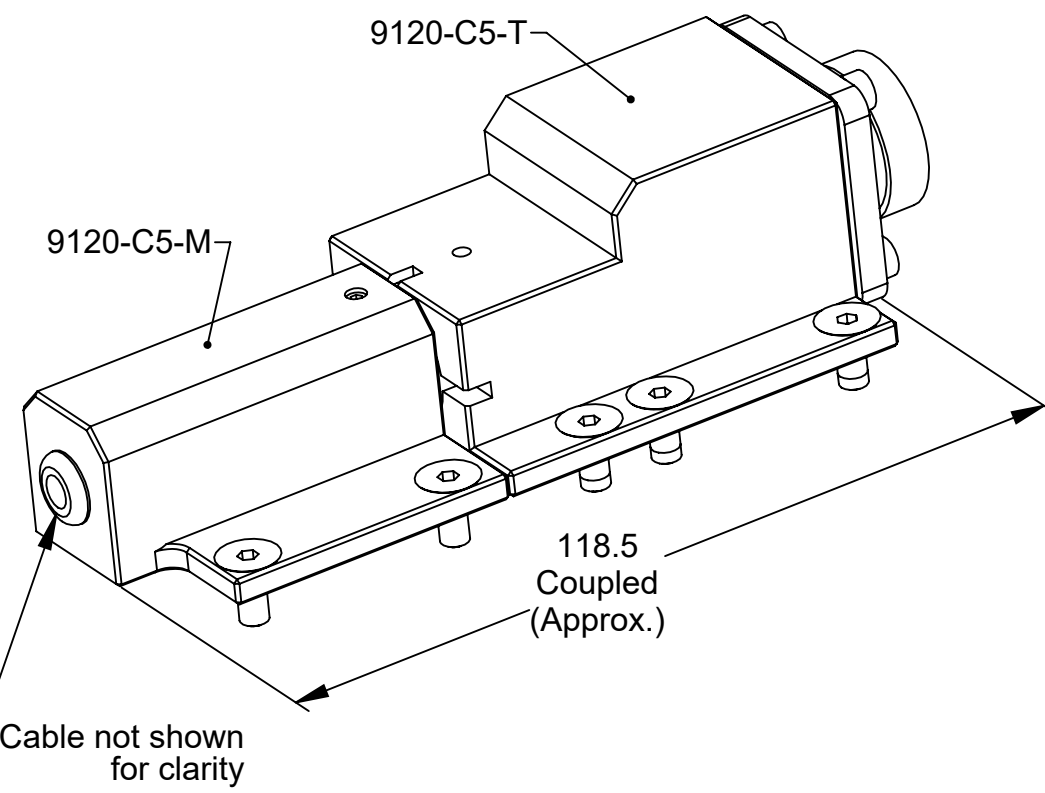
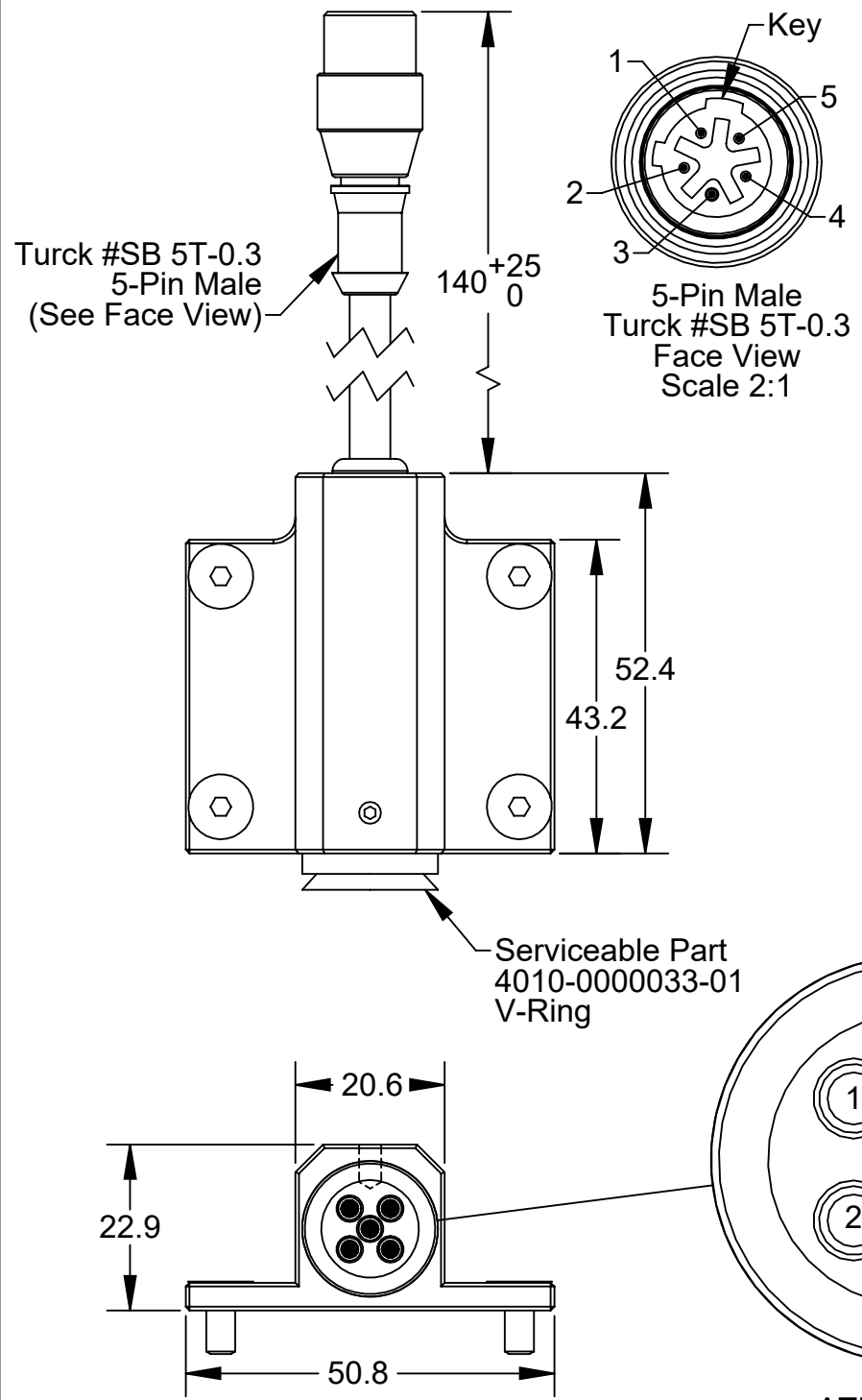
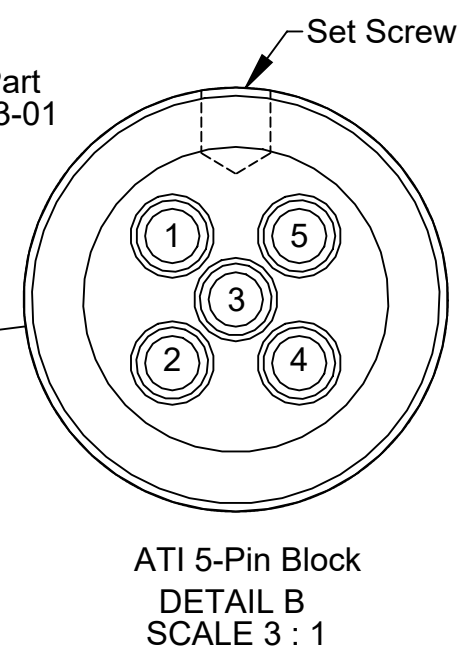
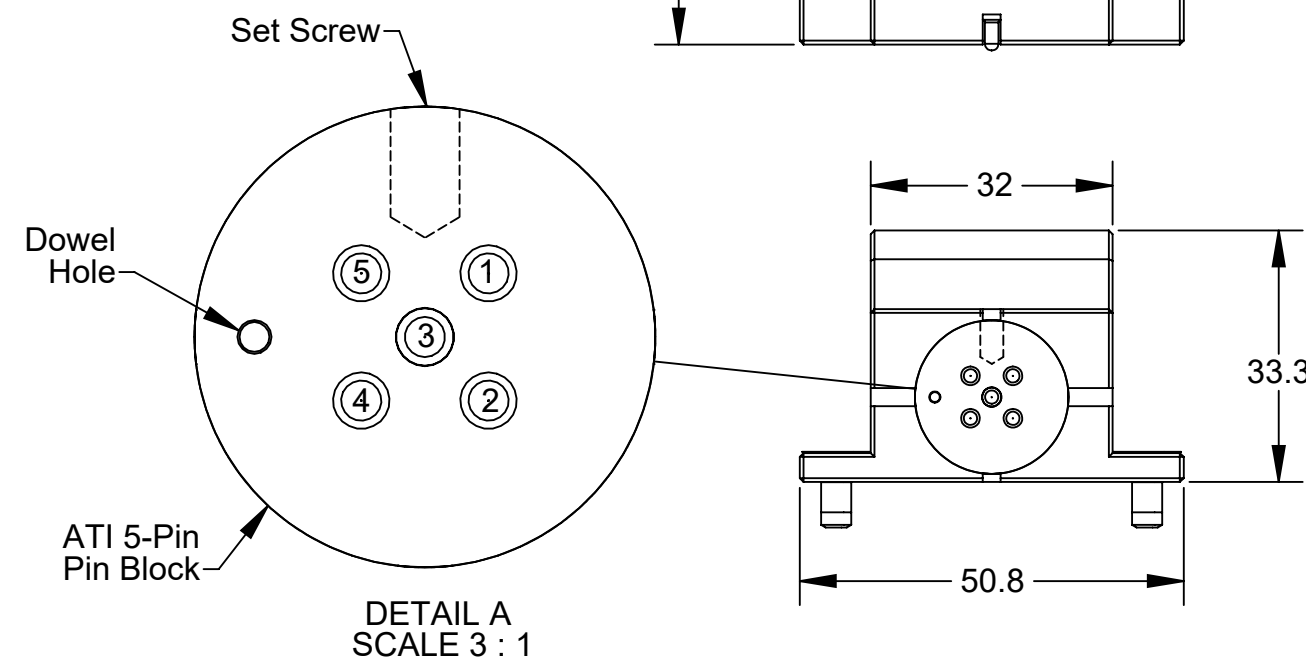
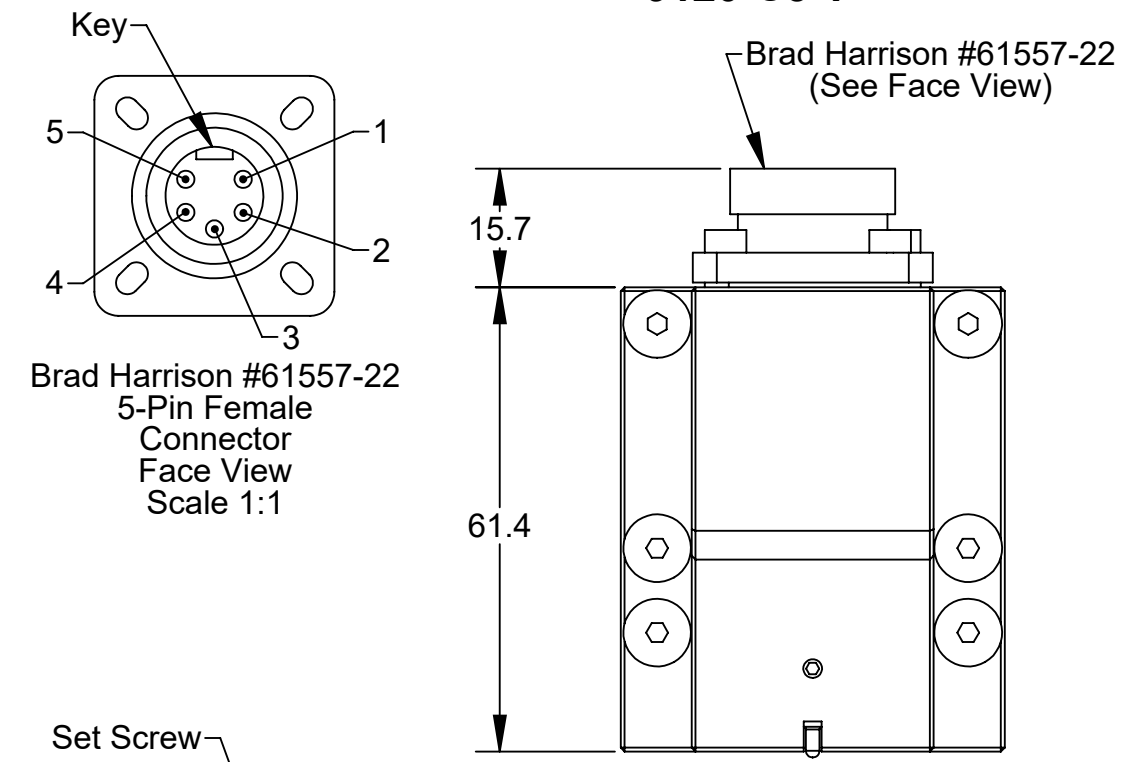


Rev.	Description	Initiator	Date
02	Eco 20036; Removed High Voltage warning label, Note 1 was "3A / 50V"	LJH	8/20/2021

9120-C5-M



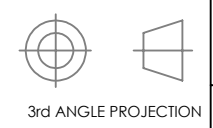
9120-C5-T



- Notes:
1. Module Electrical rating: 3AMPS / <50V
 2. Customer approval of electrical schematic is required.
 3. Customer is to approve connector selection and orientation.
 4. See Sheet 2 for module wiring schematic.

NOTES: UNLESS OTHERWISE SPECIFIED.

DO NOT SCALE DRAWING. ALL DIMENSIONS ARE IN MILLIMETERS.

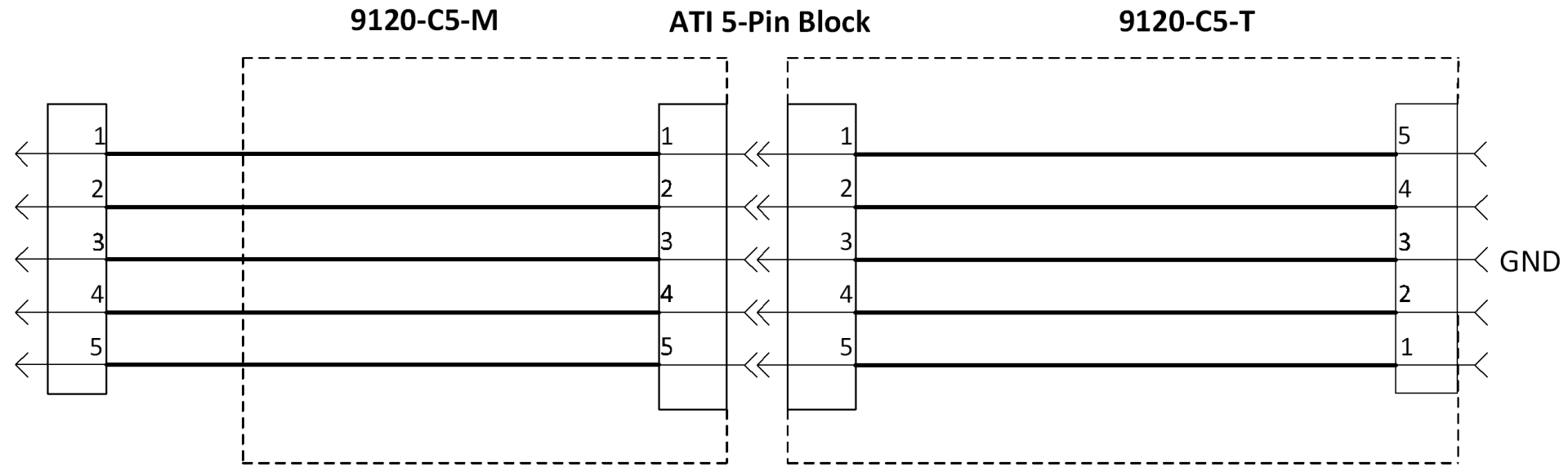


1031 Goodworth Drive, Apex, NC 27539, USA
 Tel: +1.919.772.0115 www.ati-ia.com
 Fax: +1.919.772.8259 ISO 9001 Registered Company

PROPERTY OF ATI INDUSTRIAL AUTOMATION, INC. NOT TO BE REPRODUCED IN ANY MANNER EXCEPT ON ORDER OR WITH PRIOR WRITTEN AUTHORIZATION OF ATI.

DRAWN BY: P.Luczka, 218/15		TITLE	
CHECKED BY: A.Takla, 2/27/15 D. Fleissner, 6/22/15		C5M / C5T Electrical Pass Through Module, Customer Drawing	
SCALE	SIZE	DRAWING NUMBER	REVISION
1:1	B	9630-20-C5	02
PROJECT # -	SHEET 1 OF 2		

Turck #SB 5T-0.3



Brad Harrison
#61557-22

NOTES: UNLESS OTHERWISE SPECIFIED.

DO NOT SCALE DRAWING. ALL DIMENSIONS ARE IN MILLIMETERS.



3rd ANGLE PROJECTION



1031 Goodworth Drive, Apex, NC 27539, USA
Tel: +1.919.772.0115 www.ati-ia.com
Fax: +1.919.772.8259 ISO 9001 Registered Company

PROPERTY OF ATI INDUSTRIAL AUTOMATION, INC. NOT TO BE REPRODUCED IN ANY MANNER EXCEPT ON ORDER OR WITH PRIOR WRITTEN AUTHORIZATION OF ATI.

DRAWN BY: P.Luczka, 218/15		TITLE		
CHECKED BY: A.Takla, 2/27/15 D. Fleissner, 6/22/15		C5M / C5T Electrical Pass Through Module, Customer Drawing		
PROJECT # -	SHEET 2 OF 2	SCALE	SIZE	DRAWING NUMBER
		1:1	B	9630-20-C5
				REVISION
				02