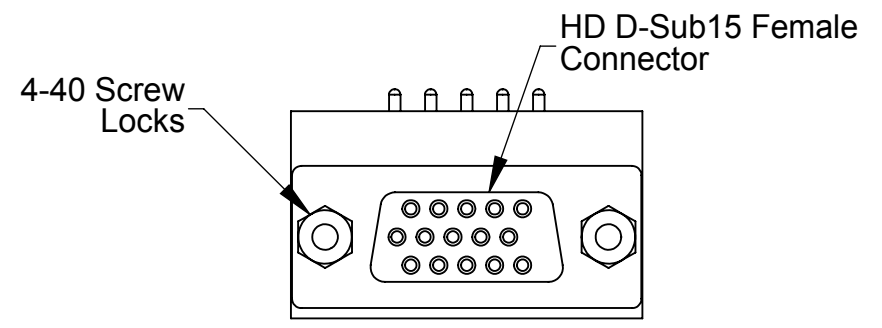
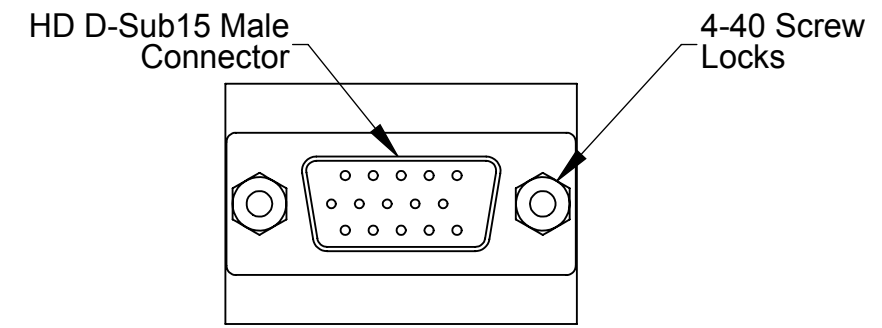
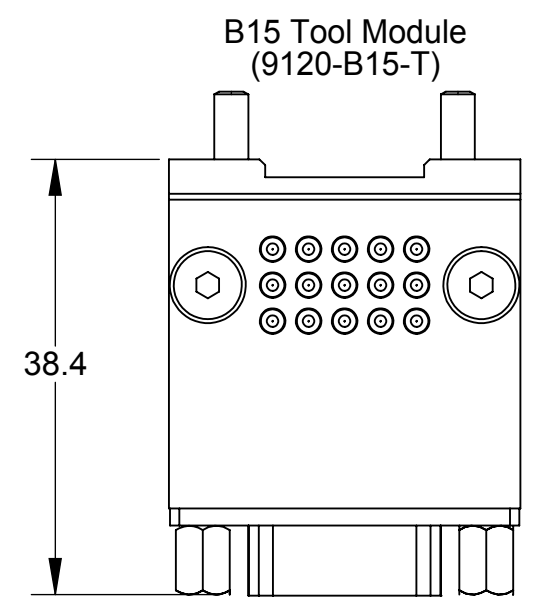
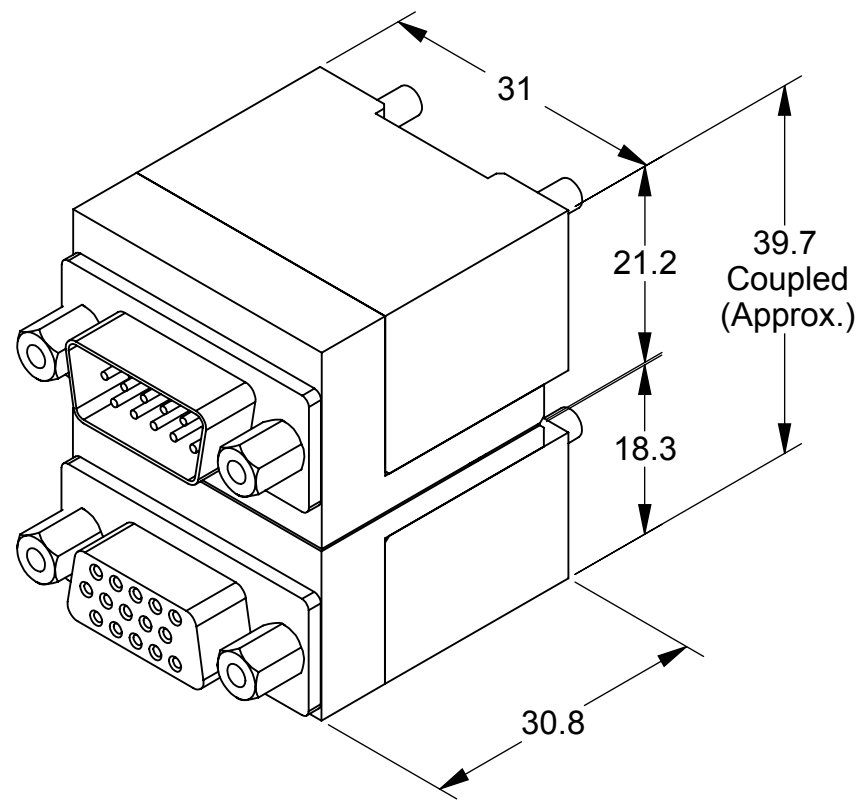
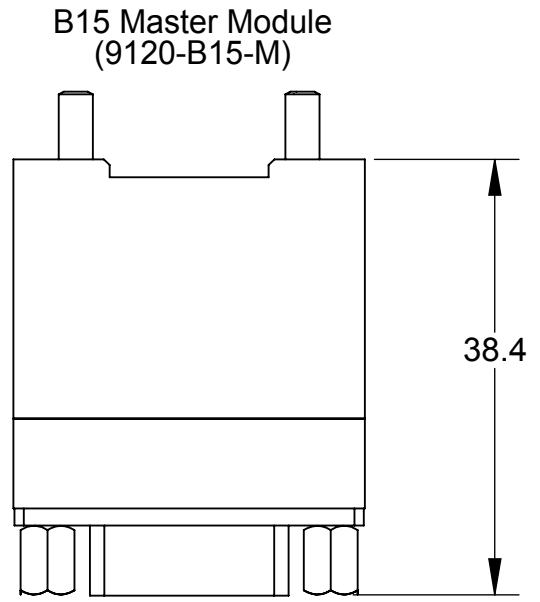
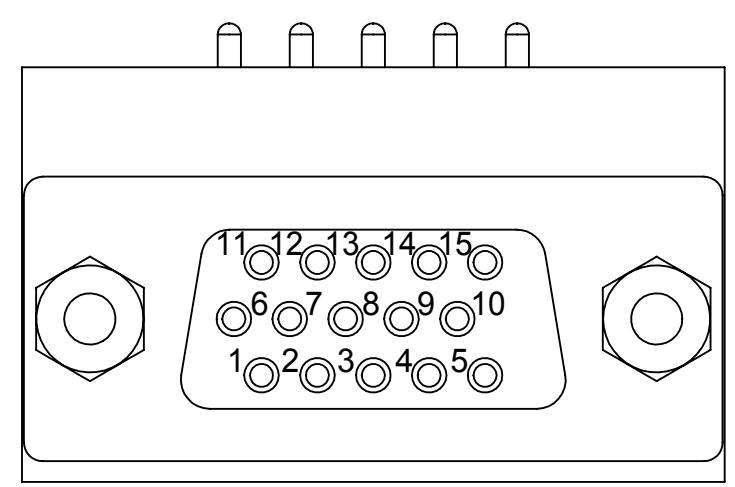
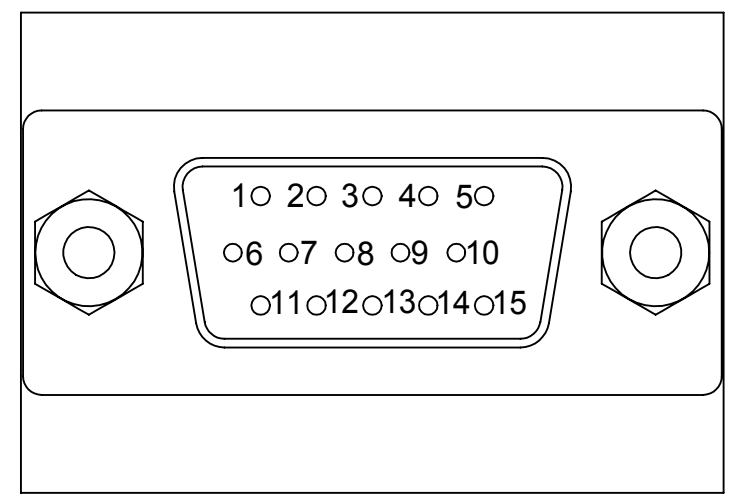


Rev.	Description	Initiator	Date
02	Initial Issue	PS	4/26/2004
03	Eco 7617; Corrected Connector Orientation on Tool Module.	CF	3/4/2010



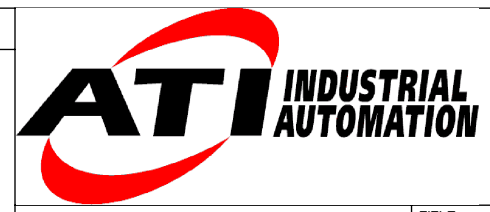
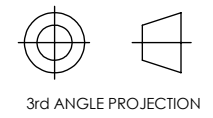
Pin Out

B15 Master Side HD D-Sub15 Male		B15 Tool Side HD D-Sub15 Female
1	→	1
2	→	2
3	→	3
4	→	4
5	→	5
6	→	6
7	→	7
8	→	8
9	→	9
10	→	10
11	→	11
12	→	12
13	→	13
14	→	14
15	→	15



Notes:
1. Large views of connectors are 3:1 scale.

NOTES: UNLESS OTHERWISE SPECIFIED
DO NOT SCALE DRAWING. DRAWN IN SOLIDWORKS.
ALL DIMENSIONS ARE IN MILLIMETERS.



1031 Goodworth Drive, Apex, NC 27539, USA
Tel: +1.919.772.0115 Email: info@ati-ia.com
Fax: +1.919.772.8259 www.ati-ia.com
ISO 9001 Registered Company

PROPERTY OF ATI INDUSTRIAL AUTOMATION, INC. NOT TO BE REPRODUCED IN ANY MANNER EXCEPT ON ORDER OR WITH PRIOR WRITTEN AUTHORIZATION OF ATI.

DRAWN BY: P. Sparrow, 6/6/03		TITLE B15 Module Drawing		
CHECKED BY: B. Digeso, 9/8/03		SCALE 1.5:1	SIZE B	DRAWING NUMBER 9630-20-B15
WEIGHT LBS: 0.11		REVISION 03		
ASSEMBLY REF:		PRODUCT RELEASE # 030725-3 DATE:		SHEET 1 OF 1