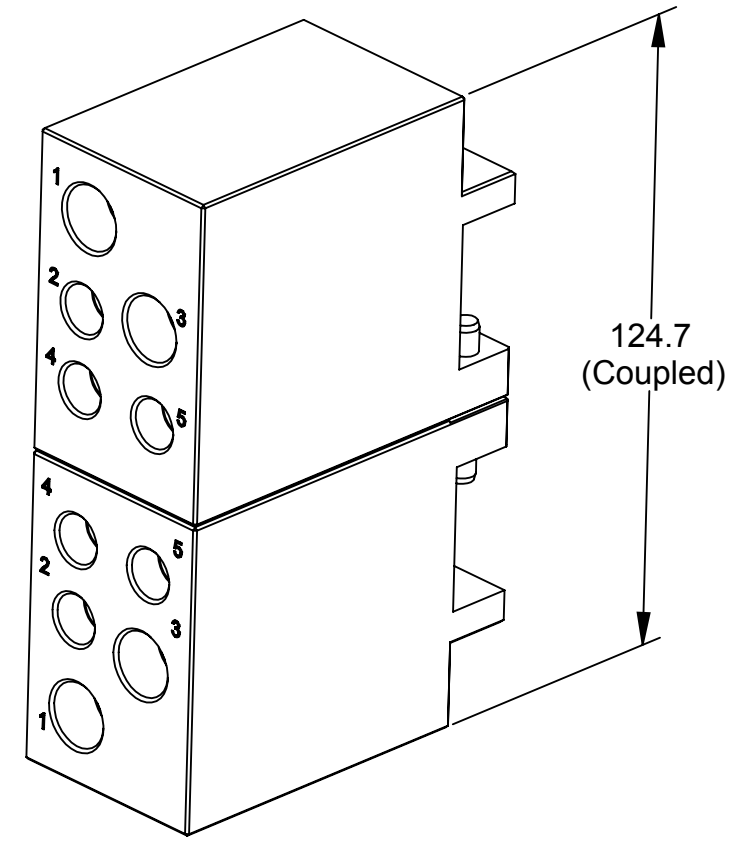
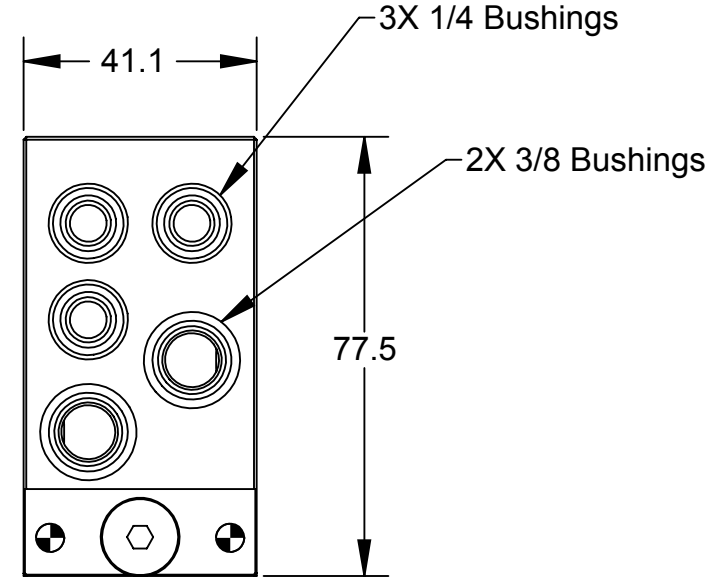
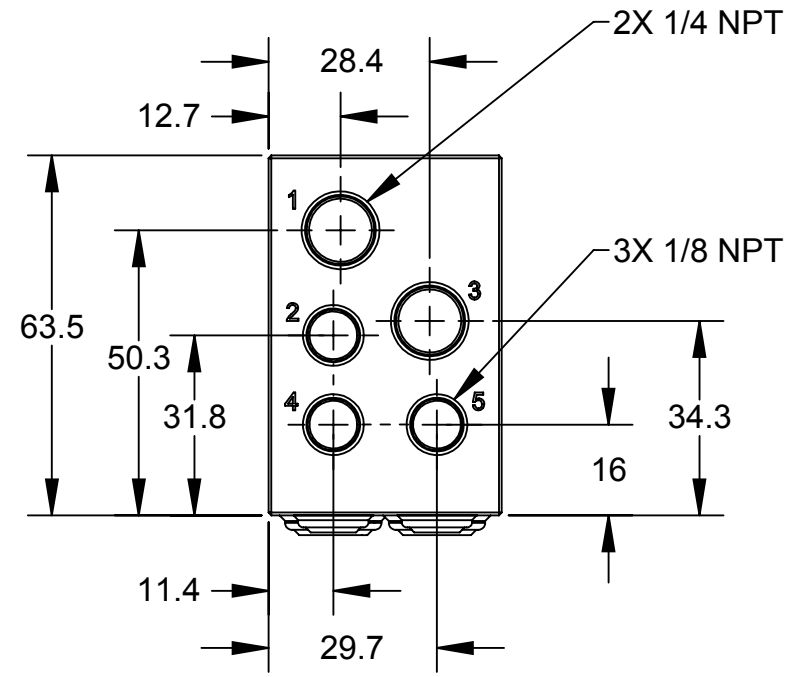
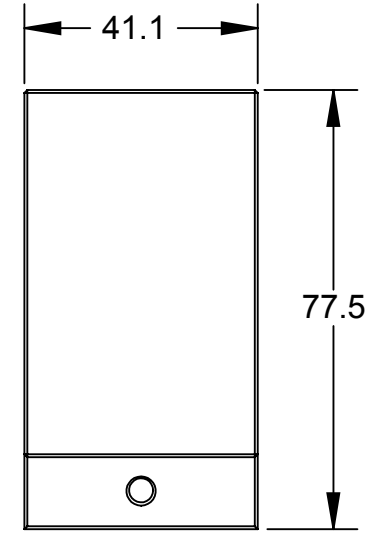
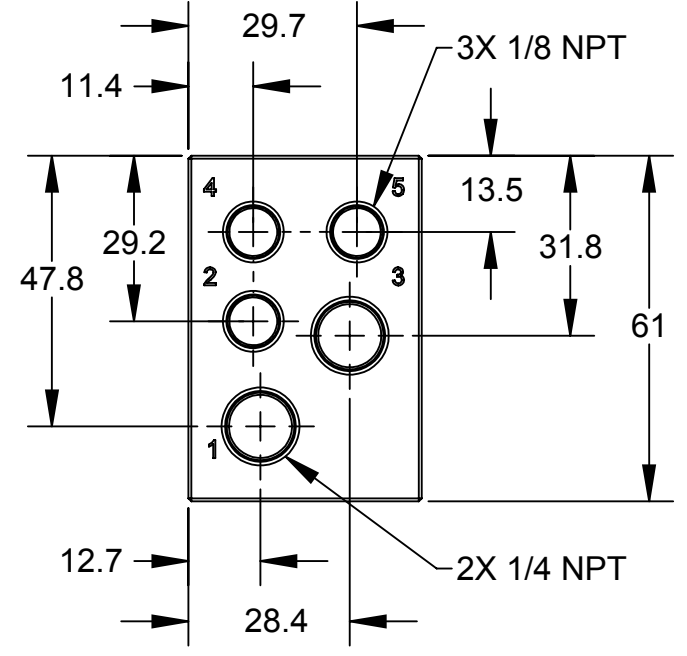


Rev.	Description	Initiator	Date
01	Initial Version	DAW	10/15/2010

**AW2 Master Module  
(9121-AW2-M)**



**AW2 Tool Module  
(9121-AW2-T)**

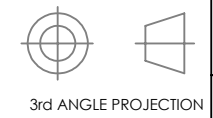


Materials of construction:

1. Housings - Anodized Aluminum
2. Sealing System - Nitrile Rubber Bushings - Brass Sleeves with 3/8 Bushings

NOTES: UNLESS OTHERWISE SPECIFIED.

DO NOT SCALE DRAWING. ALL DIMENSIONS ARE IN MILLIMETERS.



1031 Goodworth Drive, Apex, NC 27539, USA  
 Tel: +1.919.772.0115 Email: info@ati-ia.com  
 Fax: +1.919.772.8259 www.ati-ia.com  
 ISO 9001 Registered Company

PROPERTY OF ATI INDUSTRIAL AUTOMATION, INC. NOT TO BE REPRODUCED IN ANY MANNER EXCEPT ON ORDER OR WITH PRIOR WRITTEN AUTHORIZATION OF ATI.

DRAWN BY: D. Wagner 10/15/10		TITLE AW2 Air Module Drawing		
CHECKED BY: DSS 10/15/10		SCALE 3:4	SIZE B	DRAWING NUMBER 9630-20-AW2
PROJECT # 100702-2 SHEET 1 OF 1		REVISION 01		