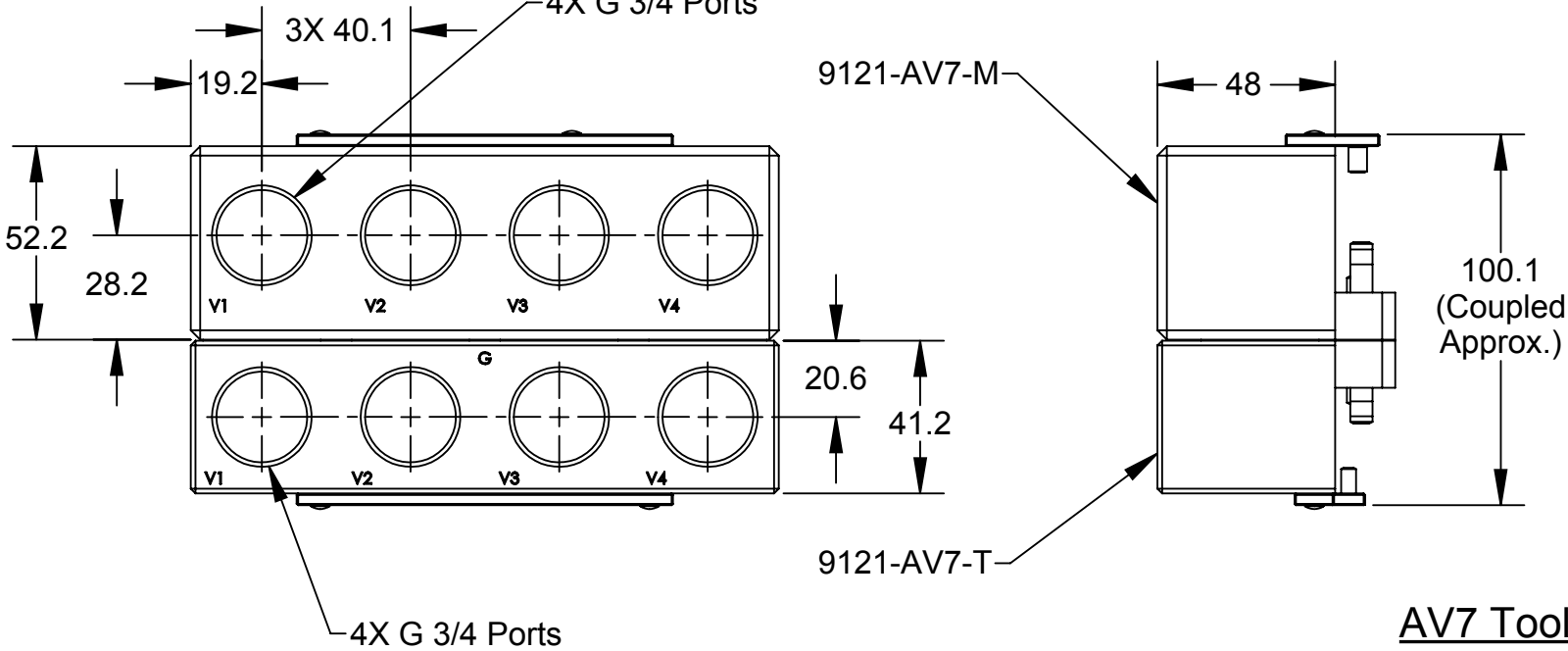
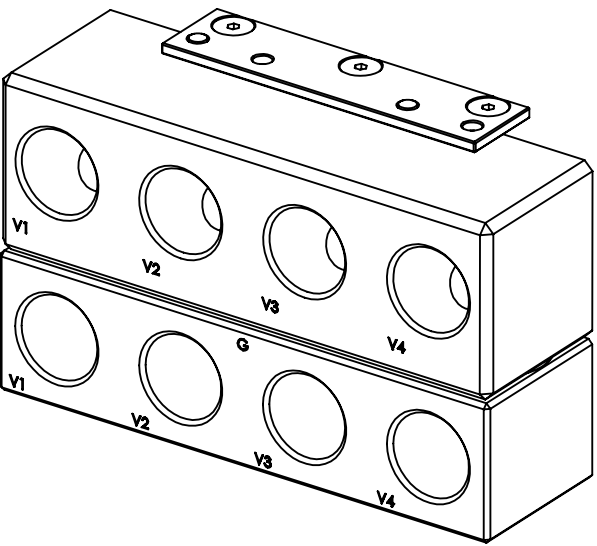
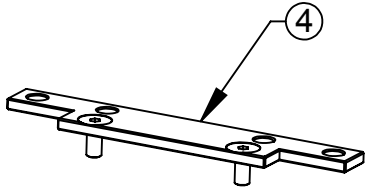


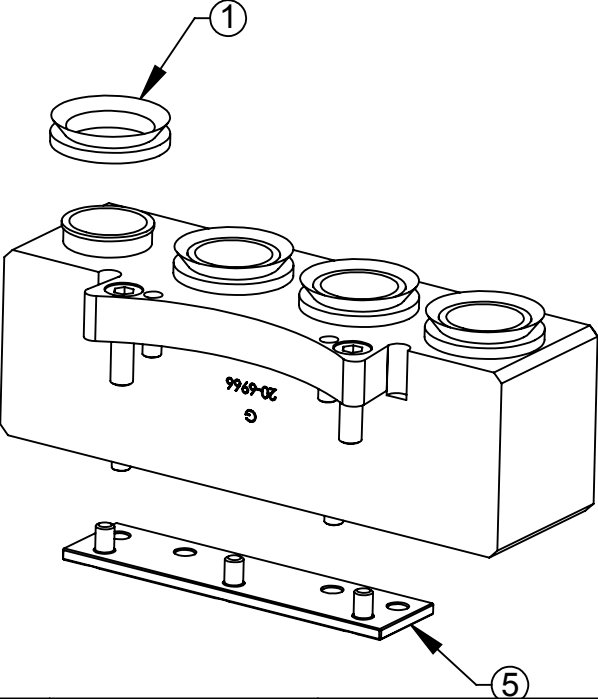
Rev.	Description	Initiator	Date
01	Initial Version	DAW	5/26/2011



AV7 Tool Serviceable Parts



AV7 Master Serviceable Parts



Notes:
 Materials of Construction:
 Housings - Anodized aluminum
 V-Ring Seal - Nitrile Rubber

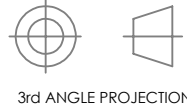
Operations:
 Vacuum operation only.

ITEM NO.	QTY.	PART NUMBER	DESCRIPTION
2	4	3540-0105010-21	5mm x 10mm Dowel Pin SST
3	2	3500-1066016-21A	M6 x 16mm SHCS, SS, ND Microspheres
4	1	9005-20-1878	Tool Cleat Sub-Assembly, with SST mounting hardware

ITEM NO.	QTY.	PART NUMBER	DESCRIPTION
1	4	4010-0000030-01	V-Ring Seal
3	2	3500-1066020-21	M6 x 20mm SHCS SST
4	4	3540-0105010-21	5mm x 10mm Dowel Pin SST
5	1	9005-20-1877	Master Cleat Sub-Assembly, with SST mounting hardware

NOTES: UNLESS OTHERWISE SPECIFIED.

DO NOT SCALE DRAWING. ALL DIMENSIONS ARE IN MILLIMETERS.



1031 Goodworth Drive, Apex, NC 27539, USA
 Tel: +1.919.772.0115 Email: info@ati-ia.com
 Fax: +1.919.772.8259 www.ati-ia.com
 ISO 9001 Registered Company

PROPERTY OF ATI INDUSTRIAL AUTOMATION, INC. NOT TO BE REPRODUCED IN ANY MANNER EXCEPT ON ORDER OR WITH PRIOR WRITTEN AUTHORIZATION OF ATI.

DRAWN BY: D. Wagner 5/26/11		TITLE	
CHECKED BY: DKL 7/7/11		AV7 Module Drawing	
SCALE	SIZE	DRAWING NUMBER	REVISION
1:2	B	9630-20-AV7	01

PROJECT # 110519-1 SHEET 1 OF 1