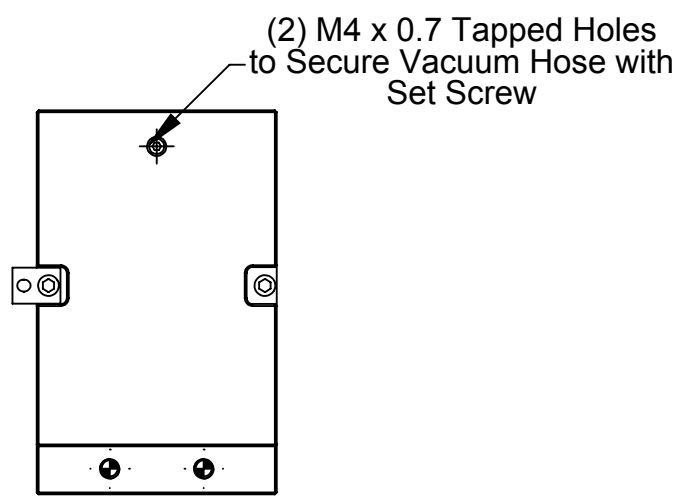
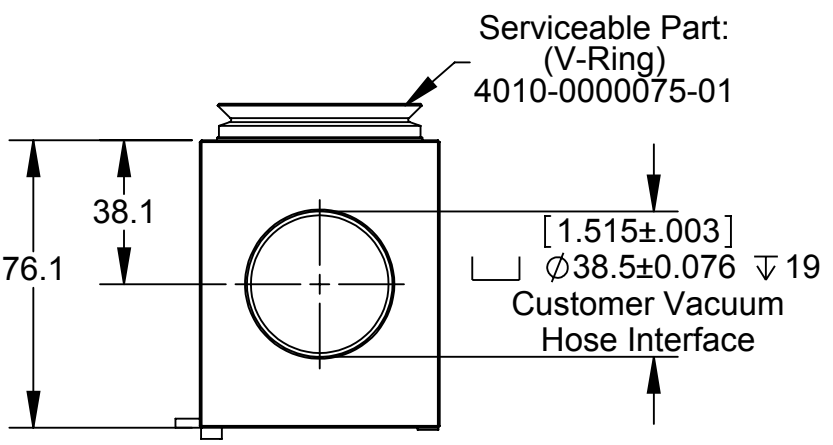
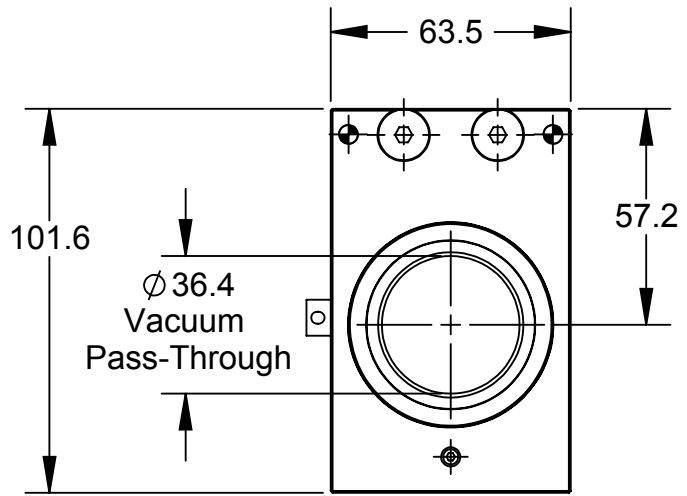
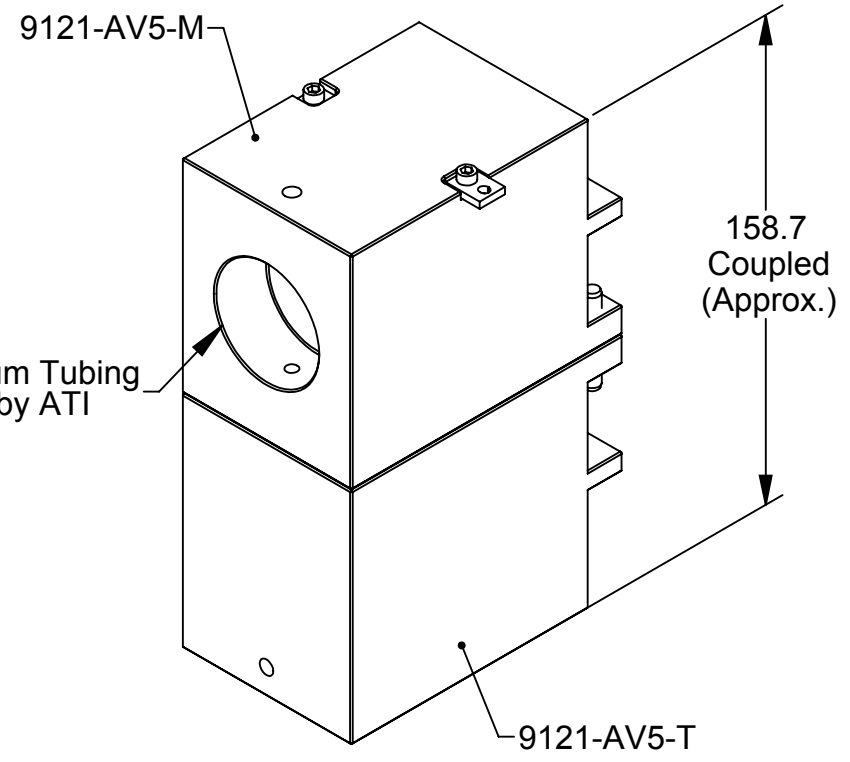
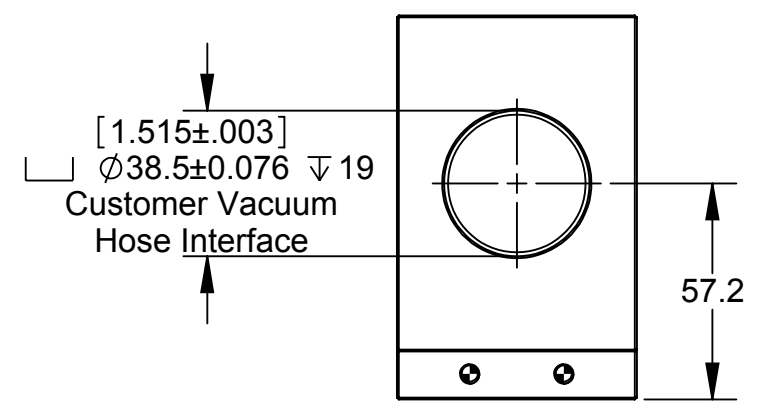
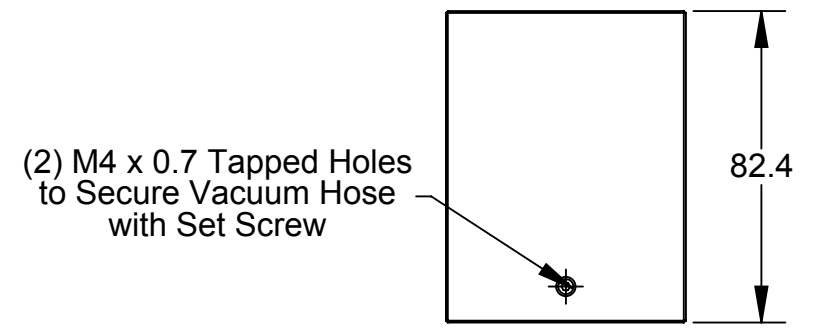
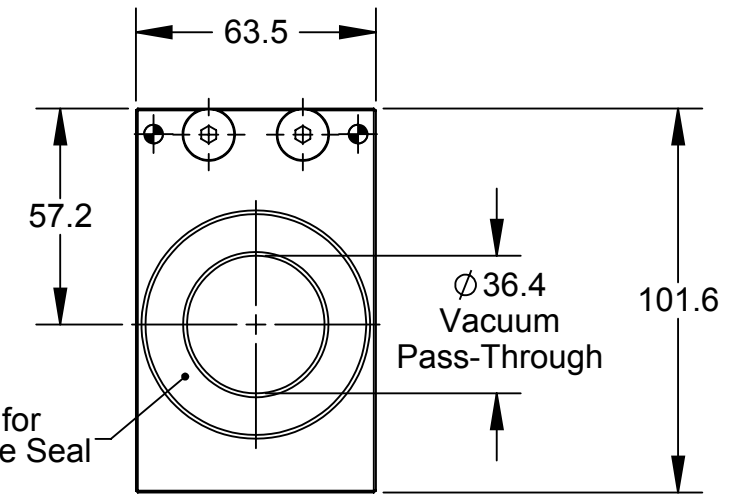


Rev.	Description	Initiator	Date
01	Initial Drawing	KRZ	10/11/10

**AV5 Master Module
(9121-AV5-M)**



**AV5 Tool Module
(9121-AV5-T)**



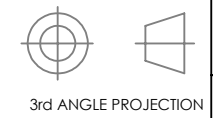
Notes:
Materials of Construction:
 1) Housing - Anodized Aluminum
 2) Seal - Nitrile (Buna-N)
Operation:
 1) Vacuum Operation Only
 2) For optimum performance inspect mating surfaces regularly to ensure they are free of debris.

NOTES: UNLESS OTHERWISE SPECIFIED.
 DO NOT SCALE DRAWING. ALL DIMENSIONS ARE IN MILLIMETERS.



1031 Goodworth Drive, Apex, NC 27539, USA
 Tel: +1.919.772.0115 Email: info@ati-ia.com
 Fax: +1.919.772.8259 www.ati-ia.com
 ISO 9001 Registered Company

PROPERTY OF ATI INDUSTRIAL AUTOMATION, INC. NOT TO BE REPRODUCED IN ANY MANNER EXCEPT ON ORDER OR WITH PRIOR WRITTEN AUTHORIZATION OF ATI.



DRAWN BY: K. Zachary 09/29/10
 CHECKED BY: D. Lawson 10/12/10
 PROJECT # 100924-1 SHEET 1 OF 1

TITLE		REVISION	
AV5 Vacuum Module Drawing		01	
SCALE	SIZE	DRAWING NUMBER	
1:2	B	9630-20-AV5	