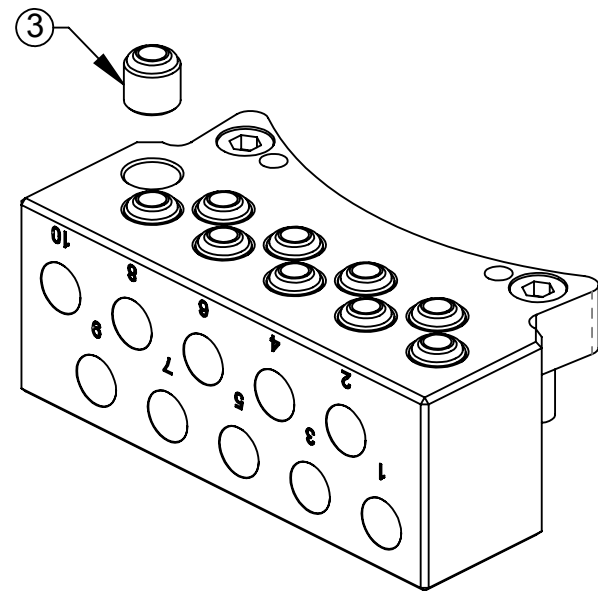
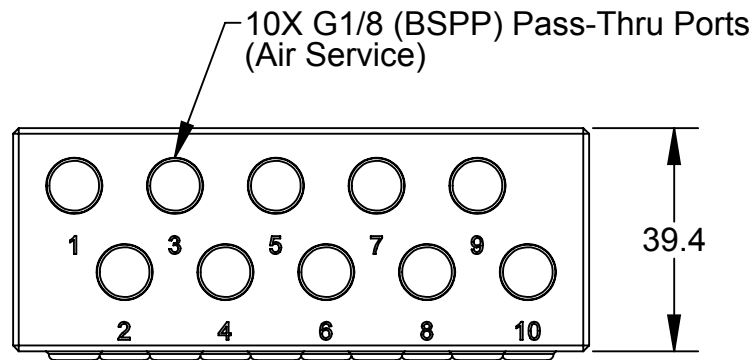
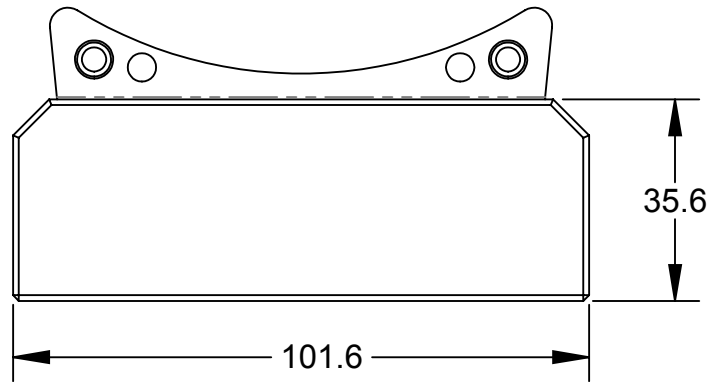


Rev.	Description	Initiator	Date
01	Initial Drawing	KRZ	08/25/14

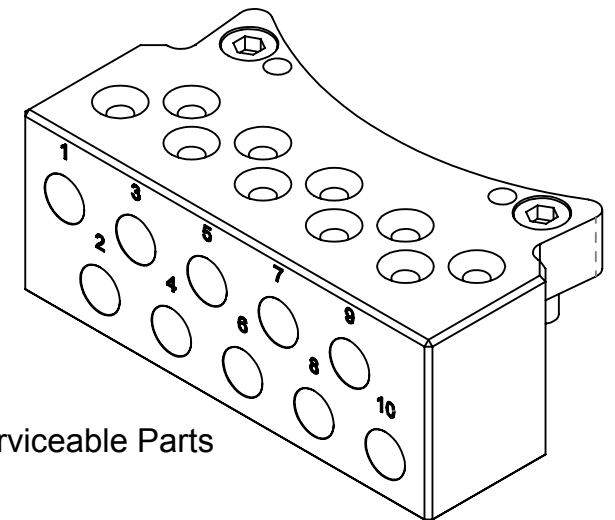
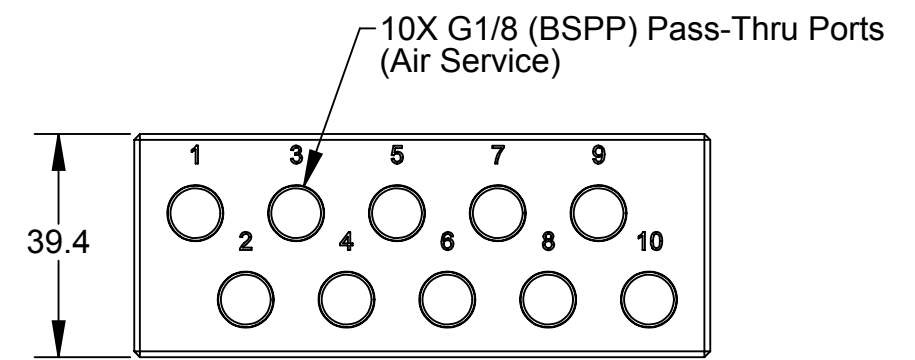
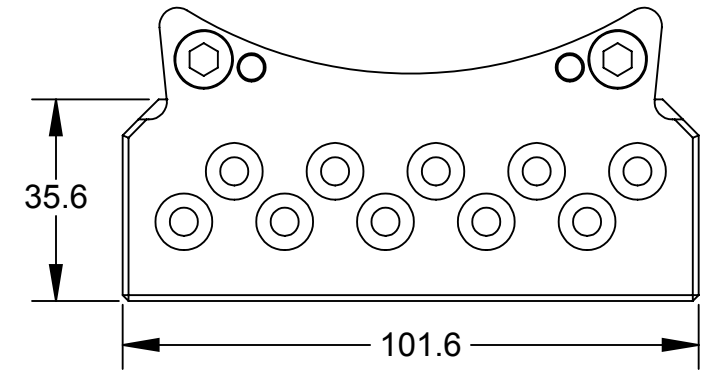
AS6 Master Module



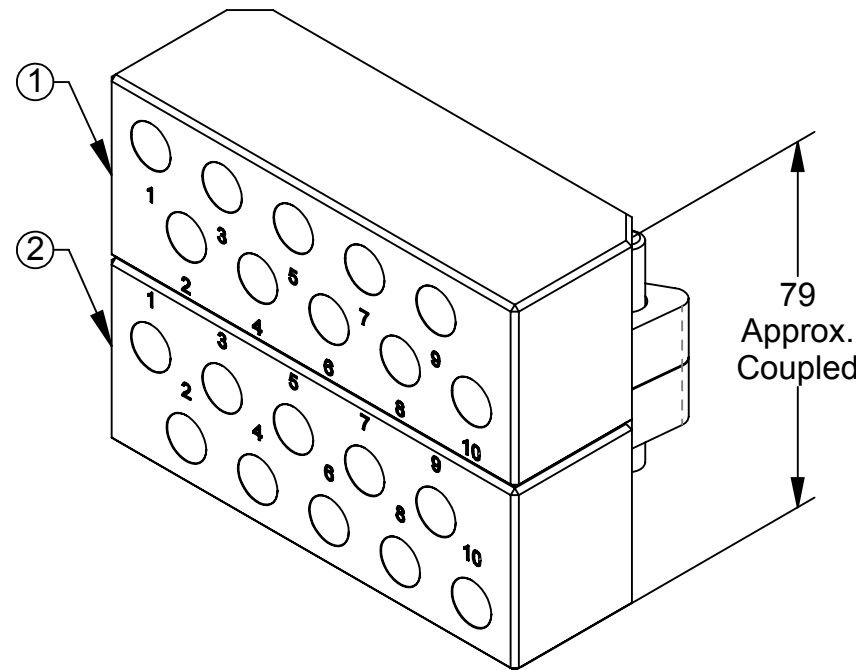
AS6-M Serviceable Parts

ITEM NO.	QTY.	PART NUMBER	DESCRIPTION
3	10	4010-0000013-01	1/8" NPT Rubber Bushing, Nitrile

AS6 Tool Module



AS6-T No Serviceable Parts



Notes:

Materials of Construction:

- 1. Housing - Anodized Aluminum
- 2. Other - Nitrile

Operation:

- 3. Pneumatic Operation Only
- 4. For optimum performance inspect mating surfaces regularly to ensure they are free of debris.

ITEM NO.	QTY.	PART NUMBER	DESCRIPTION
1	1	9121-AS6-M	Pneumatic Master Module with (10) G1/8" (BSPP) Pass-Thru Ports
2	1	9121-AS6-T	Pneumatic Tool Module with (10) G1/8" (BSPP) Pass-Thru Ports

NOTES: UNLESS OTHERWISE SPECIFIED.

DO NOT SCALE DRAWING. ALL DIMENSIONS ARE IN MILLIMETERS.



3rd ANGLE PROJECTION



1031 Goodworth Drive, Apex, NC 27539, USA
 Tel: +1.919.772.0115 Email: info@ati-ia.com
 Fax: +1.919.772.8259 www.ati-ia.com
 ISO 9001 Registered Company

PROPERTY OF ATI INDUSTRIAL AUTOMATION, INC. NOT TO BE REPRODUCED IN ANY MANNER EXCEPT ON ORDER OR WITH PRIOR WRITTEN AUTHORIZATION OF ATI.

DRAWN BY: K. Zachary 08/25/14		TITLE	
CHECKED BY: D. Norton 08/28/14		AS6 Pneumatic Pass-Through Module Drawing	
SCALE	SIZE	DRAWING NUMBER	REVISION
3:4	B	9630-20-AS6	01

PROJECT # 140801-4 SHEET 1 OF 1