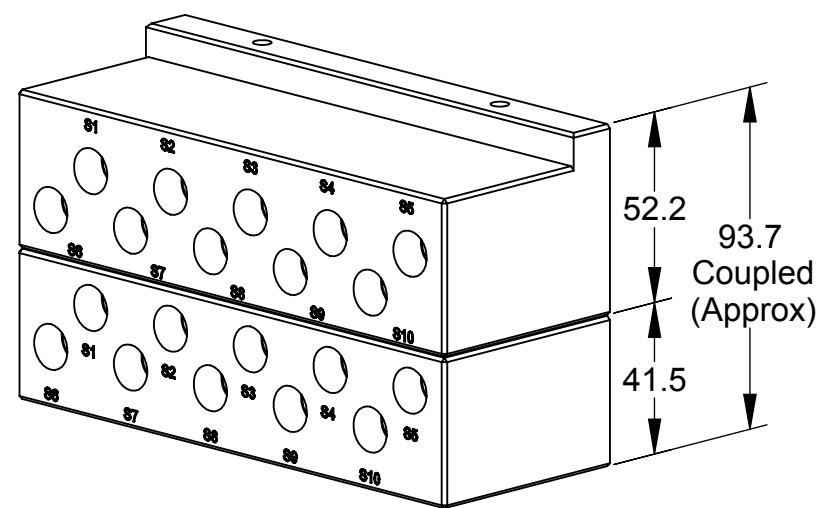
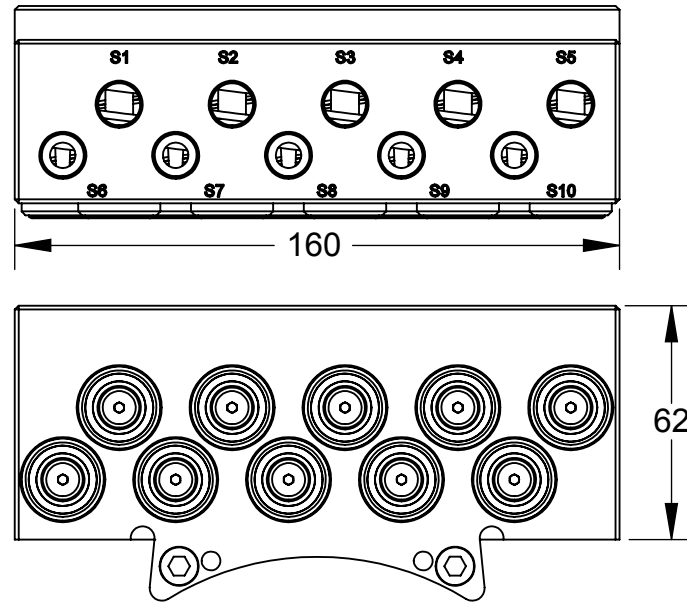
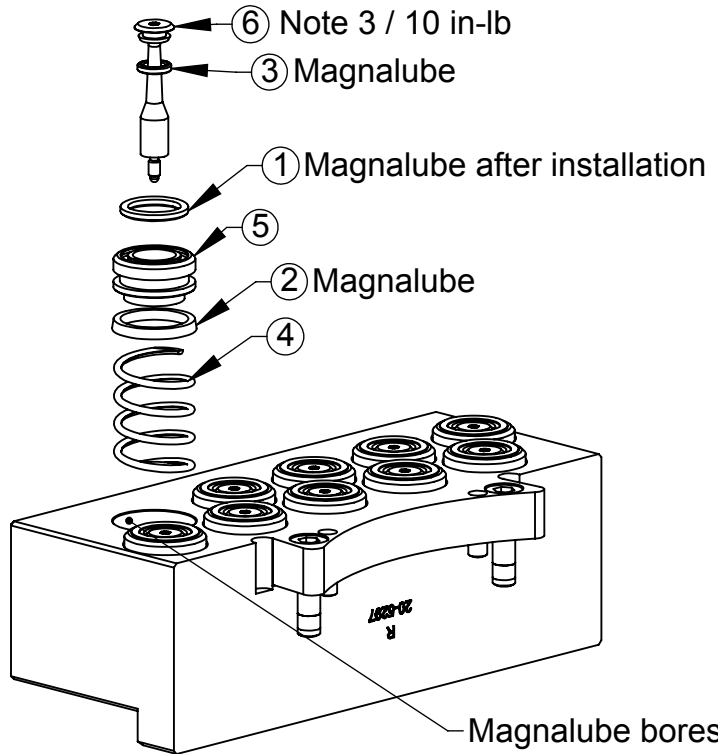
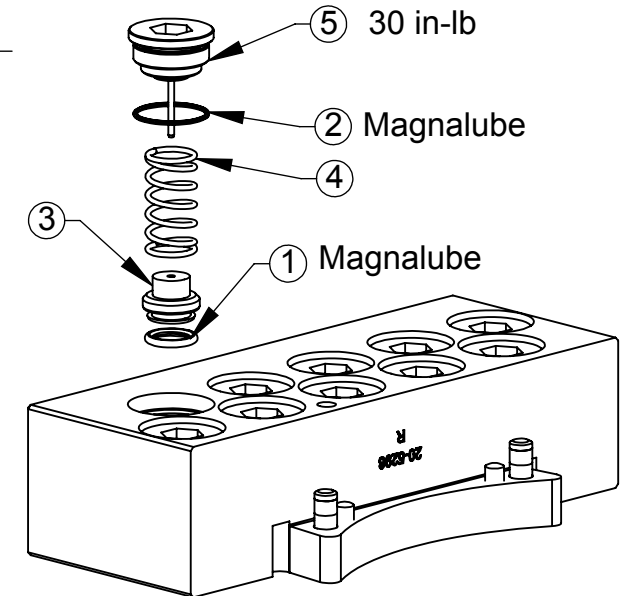
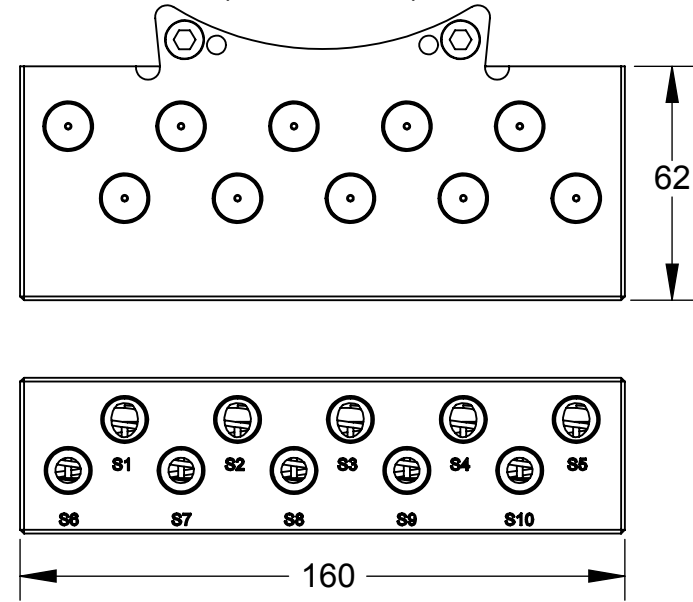


Rev.	Description	Initiator	Date
04	ECO 14747; Added torque and Magnalube information, added Note 3, and replaced 3540-0101750-21 & 3700-20-3288 with 9005-20-2267 in drawing BOM.	SZJ	9/19/2016

AR2 Master Module
(9121-AR2-M)



AR2 Tool Module
(9121-AR2-T)



Notes:

Materials of Construction:

- Housings - Anodized aluminum.
- Valve Components - Stainless Steel, Nitrile & PVC
- Replacement stem contains pre-applied thread locker. Use Loctite 7649 primer and Loctite 222 if reassembling with original stem.

Operations:

- For best results keep air module mating surfaces free and clear of any debris.
- Checked ports can produce significant forces when under high supply pressures. These forces have to be overcome to achieve tool changer coupling.
- Checked ports do not support vacuum conditions.
- AR2-M master module has (10) 1/4 R checked ports.
- AR2-T tool module has (10) checked 1/4 R ports.

AR2-T Serviceable Parts

ITEM NO.	QTY.	PART NUMBER	DESCRIPTION
1	10	3410-0001067-01	O-ring, 10mm x 2mm, Buna N, Dur. 90
2	10	3410-0001284-01	O-ring, .669OD x .047 wall, 70D, Buna-N
3	10	3700-20-1457	SW-150A Tool Check Valve Piston
4	10	3700-20-1460	SPRING, F/A TOOL
5	10	9005-20-2267	F/A Plug Assembly, Tool, 3/8" Valves

Note: Service Kit 9120-F1-T-Kit consists of (1) each of items 1, 2, & 4.
Note: Service Kit 9120-F3-T-Kit consists of (1) each of items 1 thru 5.

AR2-M Serviceable Parts

ITEM NO.	QTY	PART NUMBER	DESCRIPTION
1	10	3410-0001065-01	O-Ring 14MM X 2MM Buna
2	10	3410-0001068-01	Mini U-Cup Seal 18mm ID x 22mm Buna
3	10	3410-0001183-01	O-Ring 6MM X 2MM Buna D90
4	10	3700-20-1459	SW-150A Master Fluid / Air Spring SS
5	10	3700-20-2994	Master Check Valve Piston, FA44
6	10	3700-20-2996	VALVE STEM, HIGH STRENGTH

Note: Service Kit 9120-F2-M-Kit consists of (1) each of items 1 thru 4.
Note: Service Kit 9120-F4-M-Kit consists of (1) each of items 1 thru 6.

NOTES: UNLESS OTHERWISE SPECIFIED.

DO NOT SCALE DRAWING. ALL DIMENSIONS ARE IN MILLIMETERS.



3rd ANGLE PROJECTION



1031 Goodworth Drive, Apex, NC 27539, USA
Tel: +1.919.772.0115 Email: info@ati-ia.com
Fax: +1.919.772.8259 www.ati-ia.com
ISO 9001 Registered Company

PROPERTY OF ATI INDUSTRIAL AUTOMATION, INC. NOT TO BE REPRODUCED IN ANY MANNER EXCEPT ON ORDER OR WITH PRIOR WRITTEN AUTHORIZATION OF ATI.

DRAWN BY: J. Williams 9/18/07		TITLE	
CHECKED BY: D.Lawson 9/19/07		AR2 Master & Tool Module Drawing	
PROJECT # 070817-3	SHEET 1 OF 1	SCALE 1:2	SIZE B
		DRAWING NUMBER 9630-20-AR2	REVISION 04