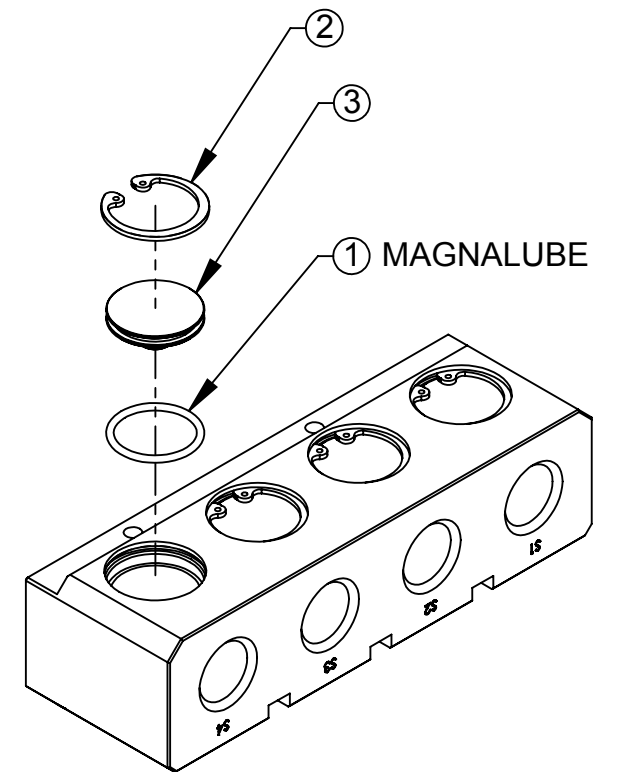
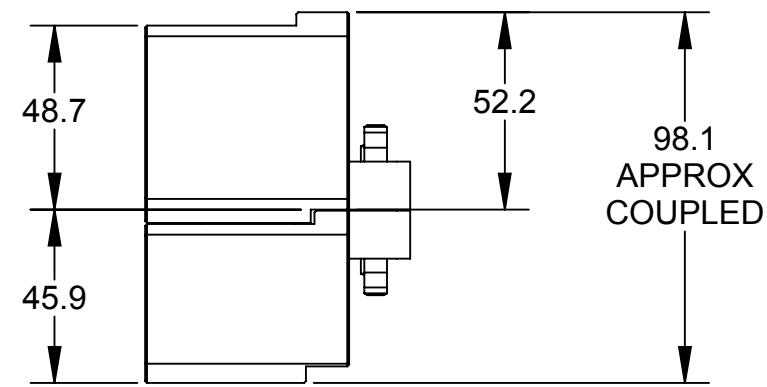
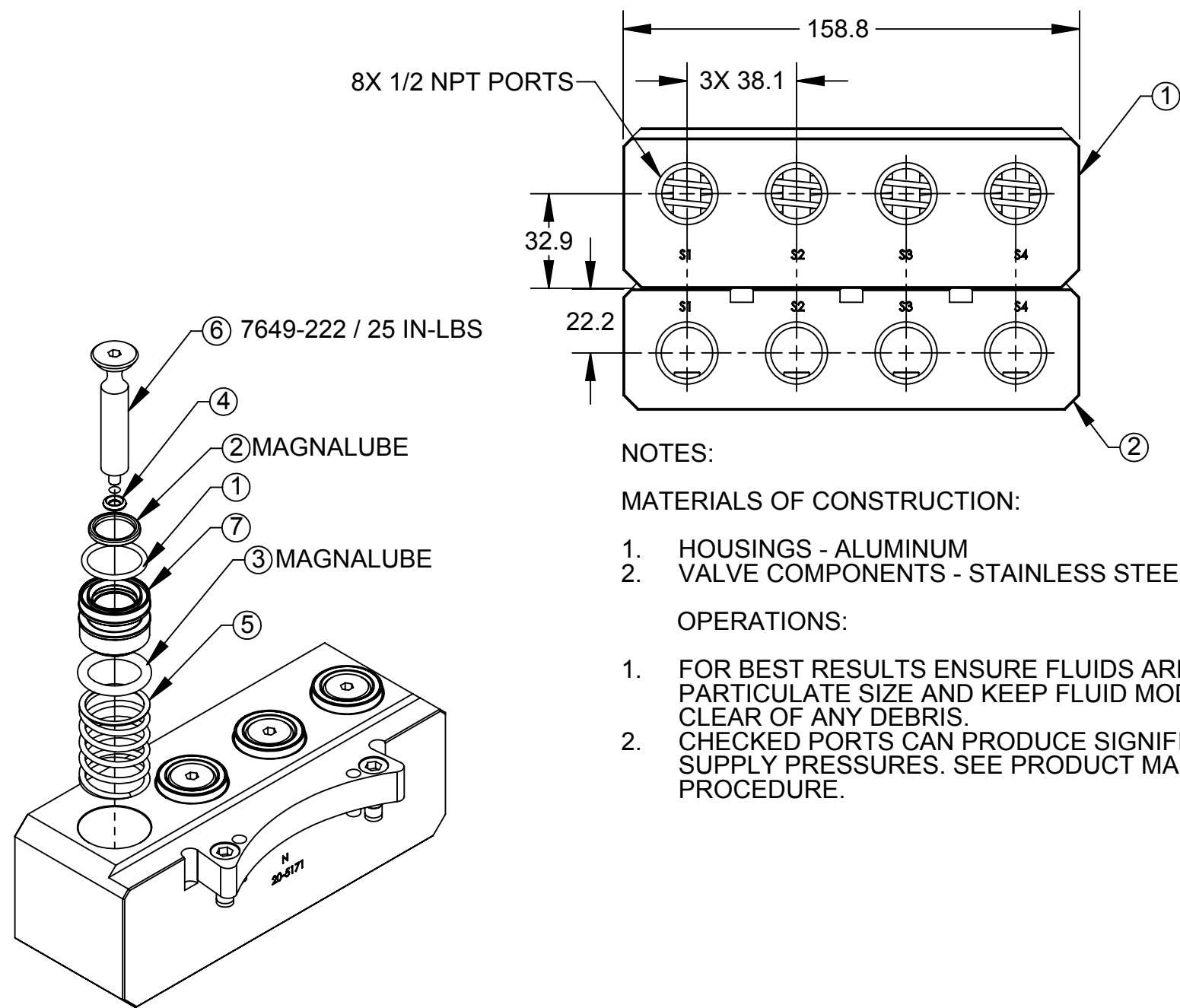


REV.	DESCRIPTION	INITIATOR	DATE
01	INITIAL DRAWING	JR	2/12/2019



NOTES:

MATERIALS OF CONSTRUCTION:

- HOUSINGS - ALUMINUM
- VALVE COMPONENTS - STAINLESS STEEL & NITRILE

OPERATIONS:

- FOR BEST RESULTS ENSURE FLUIDS ARE NEAR NEUTRAL pH, MINIMIZE FLUID PARTICULATE SIZE AND KEEP FLUID MODULE MATING SURFACES FREE AND CLEAR OF ANY DEBRIS.
- CHECKED PORTS CAN PRODUCE SIGNIFICANT FORCES WHEN UNDER HIGH SUPPLY PRESSURES. SEE PRODUCT MANUAL REGARDING PROPER OPERATING PROCEDURE.

ITEM NO.	QTY.	PART NUMBER	DESCRIPTION
1	4	3410-0001243-01	O-Ring, 22x2
2	4	3690-2000002-11	RETAINING RING, INTERNAL, 1-1/16"
3	4	3700-20-4622	Fluid Module Plug, 1/2, Tool

ITEM NO.	QTY.	PART NUMBER	DESCRIPTION
1	4	3410-0001244-01	O-Ring, 19x2
2	4	3410-0001268-01	O-Ring 14MM X 2MM Buna 90A
3	4	3410-0001366-01	O-Ring, AS568-210, N1090 (ELF), D85
4	4	3410-0001371-01	O-Ring, 4mm ID x 2mm, Buna-N, D70
5	4	3610-7504501-21	SPRING, 1/2" F/A MASTER
6	4	3700-20-4616	Fluid Module Valve, 1/2, Master
7	4	3700-20-7621	Fluid Module Poppet, Relieved, 1/2, Master

NOTES:

- SERVICE KIT 9005-20-1321 CONSISTS OF (1) EACH OF ITEMS 1, 2, 3, 4.
- SERVICE KIT 9005-20-1420 CONSISTS OF (1) EACH OF ITEMS 1 THRU 7

ITEM NO.	QTY	PART NUMBER	DESCRIPTION
1	1	9121-AP2-M	(4) 1/2 NPT, Checked Ports, Master Module
2	1	9121-AP8-T	Pneumatic Tool Module with (4) 1/2" NPT Pass-Through Ports

NOTES: UNLESS OTHERWISE SPECIFIED.

DO NOT SCALE DRAWING. ALL DIMENSIONS ARE IN MILLIMETERS.

ATI INDUSTRIAL AUTOMATION

1031 Goodworth Drive, Apex, NC 27539, USA
 Tel: +1.919.772.0115 Email: info@ati-ia.com
 Fax: +1.919.772.8259 www.ati-ia.com
 ISO 9001 Registered Company

PROPERTY OF ATI INDUSTRIAL AUTOMATION, INC. NOT TO BE REPRODUCED IN ANY MANNER EXCEPT ON ORDER OR WITH PRIOR WRITTEN AUTHORIZATION OF ATI.

DRAWN BY: J.Ray, 2/12/19		TITLE	
CHECKED BY: M.Gala, 2/15/19		AP2-M, AP8-T Customer Drawing	
PROJECT # 190212-1	SHEET 1 OF 1	SCALE 1:2	SIZE B
		DRAWING NUMBER	REVISION
		9630-20-AP2M AP8T	01

