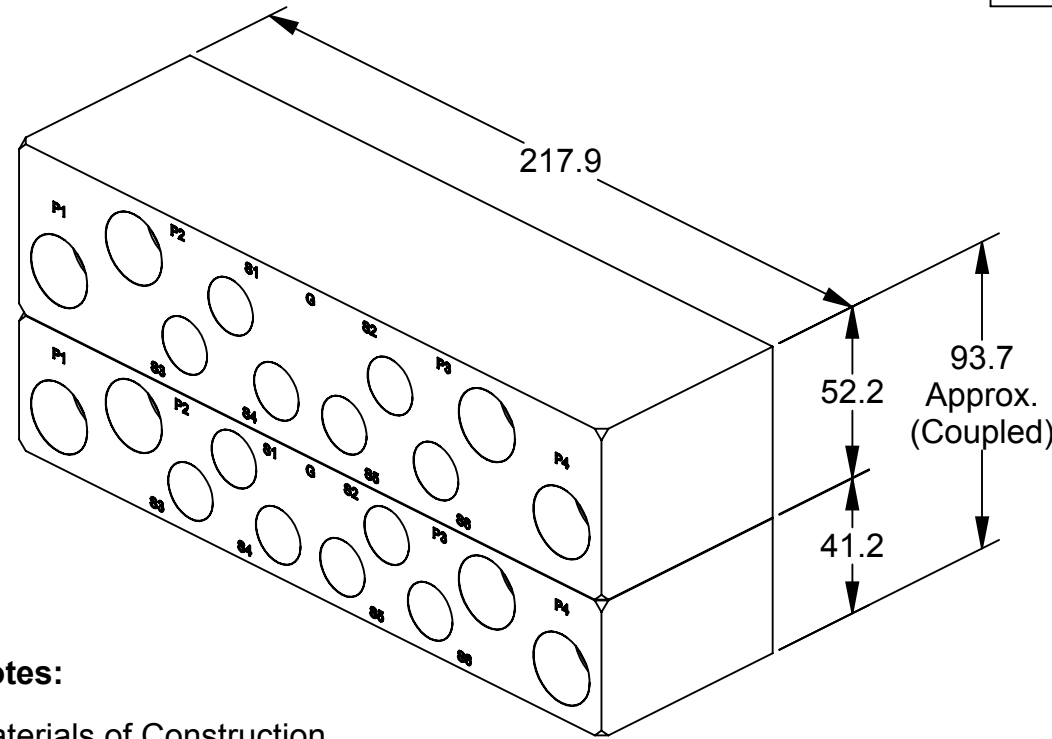
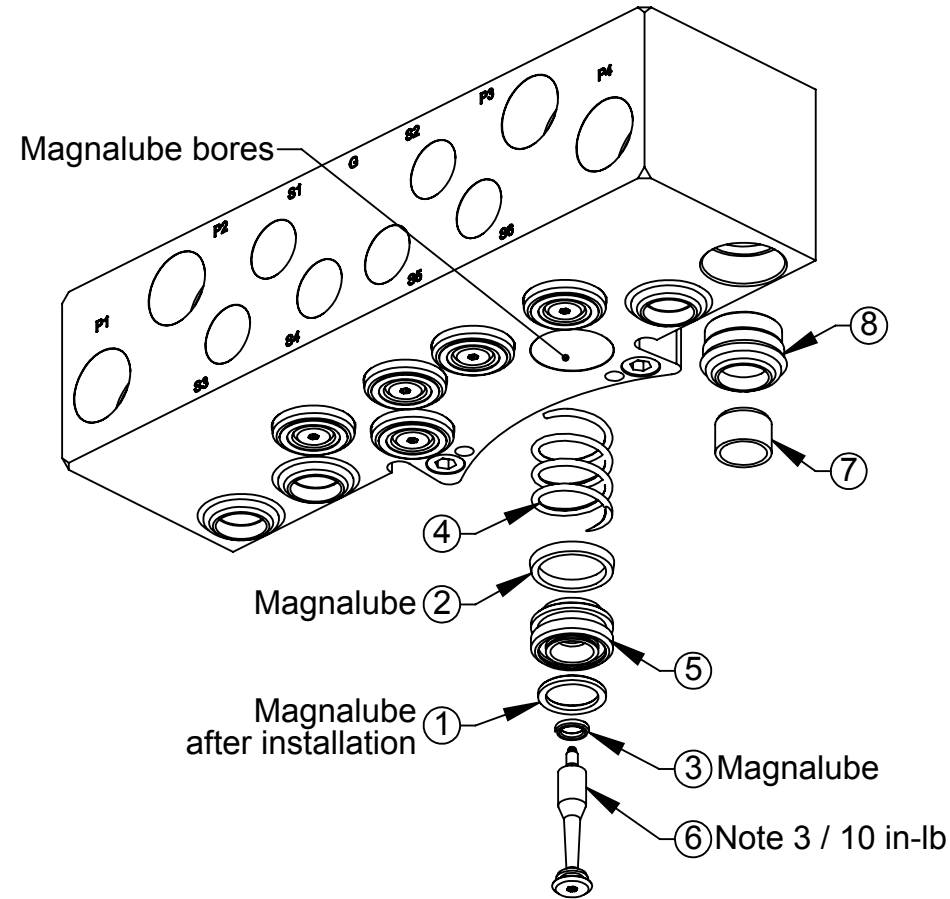
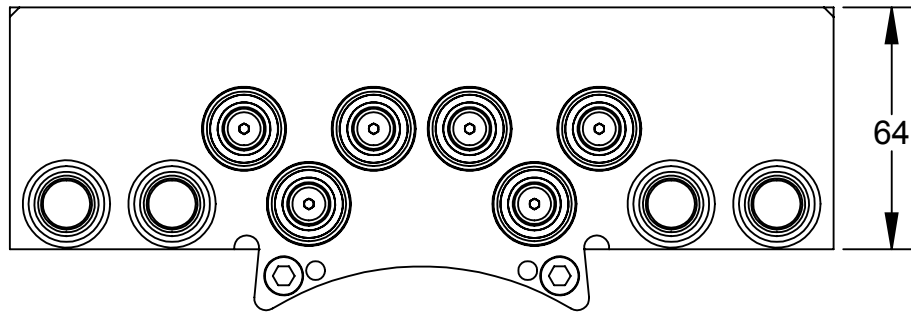


AN5 Master Module  
(9121-AN5-M)



**Notes:**

**Materials of Construction**

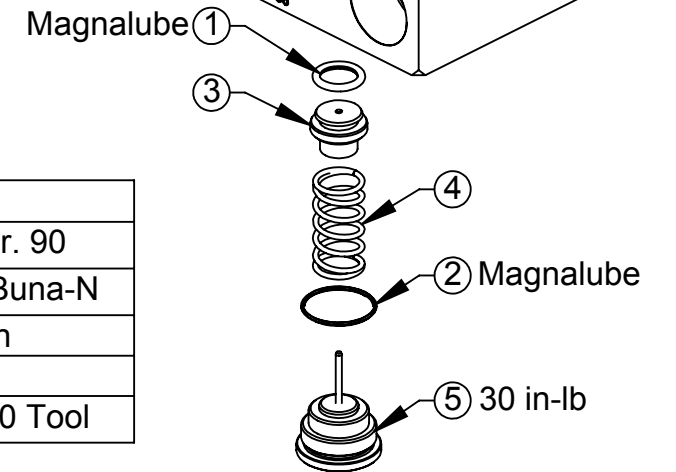
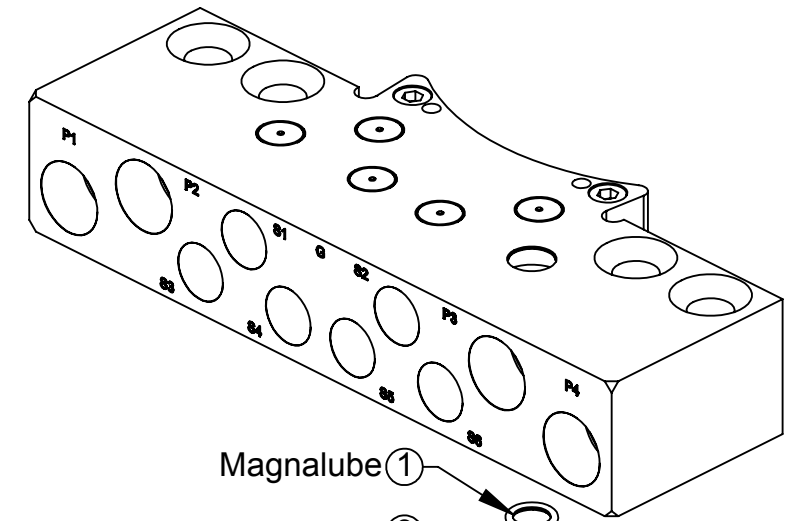
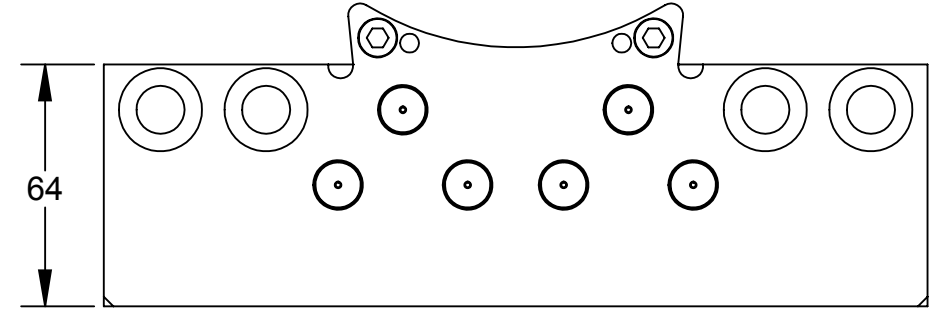
1. Housings - Anodized Aluminum
2. Valve Components - Stainless Steel, Nitrile and PVC
3. Replacement stem contains pre-applied thread locker. Use Loctite 7649 primer and Loctite 222 if reassembling with original stem.

**Operation:**

4. For best results keep air module mating surfaces free and clear of any debris.
5. Checked ports can produce significant forces when under high supply pressures. These forces have to be overcome to achieve tool changer coupling.
6. Checked ports do not support vacuum conditions.
7. The modules have (6) G 3/8 (BSPP) checked ports and (4) G 1/2 (BSPP) Pass-thru ports for air or vacuum service.

REV.	DESCRIPTION	INITIATOR	DATE
01	Initial Drawing	MJG	6/28/2018

AN5 Tool Module  
(9121-AN5-T)



ITEM NO.	QTY	PART NUMBER	DESCRIPTION
1	6	3410-0001067-01	O-ring, 10mm x 2mm, Buna N, Dur. 90
2	6	3410-0001284-01	O-ring, .669OD x .047 wall, 70D, Buna-N
3	6	3700-20-1457	SW-150A Tool Check Valve Piston
4	6	3700-20-1460	SPRING, F/A TOOL
5	6	3700-20-4121	Fluid/Air Long Plug for QC-210/310 Tool

Note: Service Kit 9120-F1-T-Kit consists of (1) each of items 1, 2, & 4.  
 Note: Service Kit 9120-F5-T-Kit consists of (1) each of items 1 thru 5.

ITEM NO.	QTY.	PART NUMBER	DESCRIPTION
1	6	3410-0001065-01	O-Ring 14MM X 2MM Buna
2	6	3410-0001068-01	Mini U-Cup Seal 18mm ID x 22mm Buna
3	6	3410-0001183-01	O-Ring 6MM X 2MM Buna D90
4	6	3700-20-1459	SW-150A Master Fluid / Air Spring SS
5	6	3700-20-2994	Master Check Valve Piston, FA44
6	6	3700-20-2996	VALVE STEM, HIGH STRENGTH
7	4	3700-20-4748	Collar for 1/2" Bushing
8	4	4010-0000063-01	1/2" Rubber Bushing. Nitrile

Note: Service Kit 9120-F2-M-Kit consists of (1) each of items 1 thru 4.  
 Note: Service Kit 9120-F4-M-Kit consists of (1) each of items 1 thru 6.

NOTES: UNLESS OTHERWISE SPECIFIED.

DO NOT SCALE DRAWING. ALL DIMENSIONS ARE IN MILLIMETERS.



3rd ANGLE PROJECTION



1031 Goodworth Drive, Apex, NC 27539, USA  
 Tel: +1.919.772.0115 Email: info@ati-ia.com  
 Fax: +1.919.772.8259 www.ati-ia.com  
 ISO 9001 Registered Company

PROPERTY OF ATI INDUSTRIAL AUTOMATION, INC. NOT TO BE REPRODUCED IN ANY MANNER EXCEPT ON ORDER OR WITH PRIOR WRITTEN AUTHORIZATION OF ATI.

DRAWN BY: M. Gala 6/27/2018		TITLE	
CHECKED BY: D. Bohle 6/28/2018		AN5 Module Drawing	
SCALE	SIZE	DRAWING NUMBER	REVISION
1:2	B	9630-20-AN5	01
PROJECT # 171026-6 SHEET 1 OF 1			