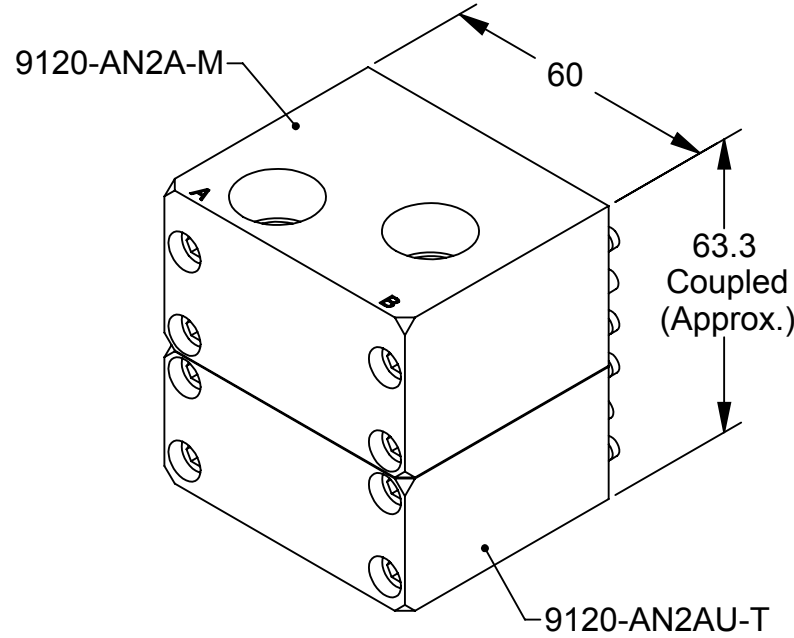
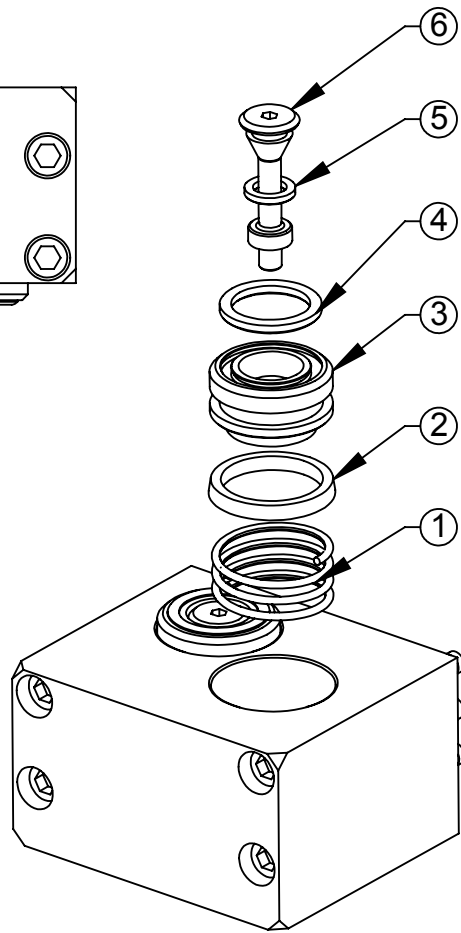
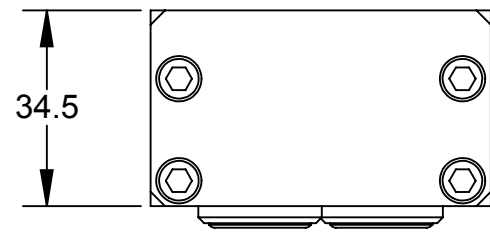
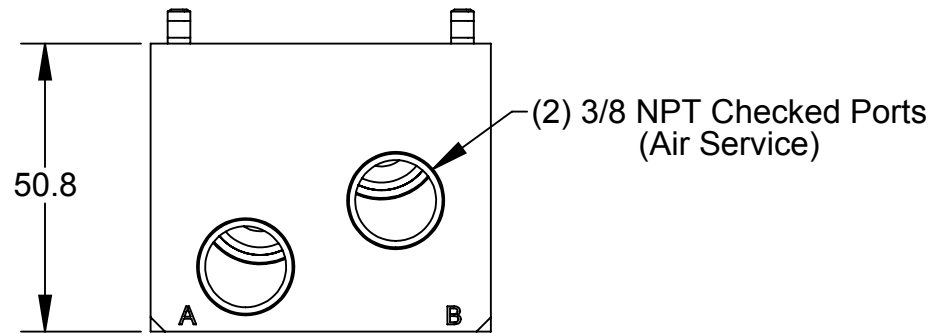
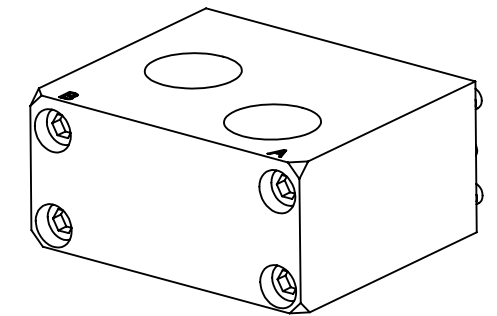
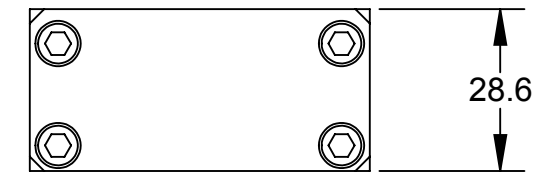
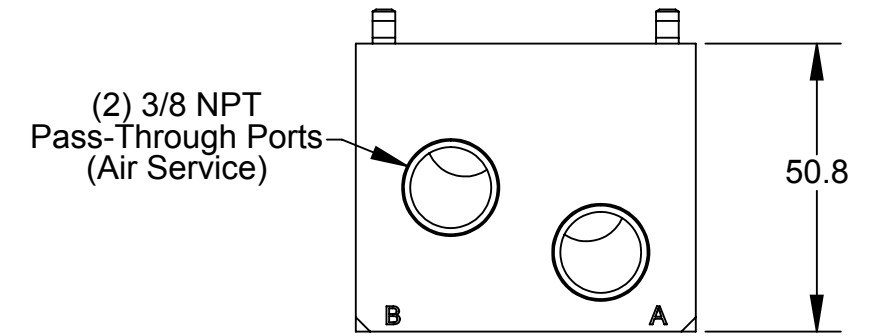


Rev.	Description	Initiator	Date
01	Initial Drawing	KRZ	10/08/10
02	Updated Views and Notes	KRZ	10/27/10
03	Updated Views	KRZ	11/03/10

**AN2A Master Module  
(9120-AN2A-M)**



**AN2AU Tool Module  
(9120-AN2AU-T)**



Notes:  
Material of Construction:  
1. Housing - Anodized Aluminum  
2. Valve Components - Nitrile, Stainless Steel

Operation:  
1. Checked ports can produce significant forces when under high supply pressures. These forces have to be overcome to achieve tool changer coupling.  
2. Checked ports do not support vacuum conditions.

**AN2A-M Serviceable Parts**

ITEM NO.	QTY	PART NUMBER	DESCRIPTION
1	2	3610-1907501-21	SS SPRING 7/8 OD
2	2	3410-0001068-01	Mini U-Cup Seal 18mm ID x 22mm Buna
3	2	3700-20-2994	Master Check Valve Piston, FA44
4	2	3410-0001065-01	O-Ring 14mm x 2mm Buna
5	2	3410-0001183-01	O-Ring 6mm x 2mm Buna D90
6	2	3700-20-3488	Valve Stem

NOTE: Items 1, 2, 3, 4, 5, 6 can be ordered in a kit. Part Number 9120-FG2-M-Kit  
NOTE: Items 1, 4, 5 can be ordered in a kit. Part Number 9120-F-M-Kit

NOTES: UNLESS OTHERWISE SPECIFIED.

DO NOT SCALE DRAWING. ALL DIMENSIONS ARE IN MILLIMETERS.



3rd ANGLE PROJECTION

**ATI INDUSTRIAL AUTOMATION**

1031 Goodworth Drive, Apex, NC 27539, USA  
Tel: +1.919.772.0115 Email: info@ati-ia.com  
Fax: +1.919.772.8259 www.ati-ia.com  
ISO 9001 Registered Company

PROPERTY OF ATI INDUSTRIAL AUTOMATION, INC. NOT TO BE REPRODUCED IN ANY MANNER EXCEPT ON ORDER OR WITH PRIOR WRITTEN AUTHORIZATION OF ATI.

DRAWN BY: K. Zachary 10/08/10		TITLE	
CHECKED BY: D. Lawson 10/12/10		AN2A-M with AN2AU-T Air Module Drawing	
PROJECT # 100929-2 SHEET 1 OF 1	SCALE 3:4	SIZE B	DRAWING NUMBER 9630-20-AN2AM AN2AUT
			REVISION 03