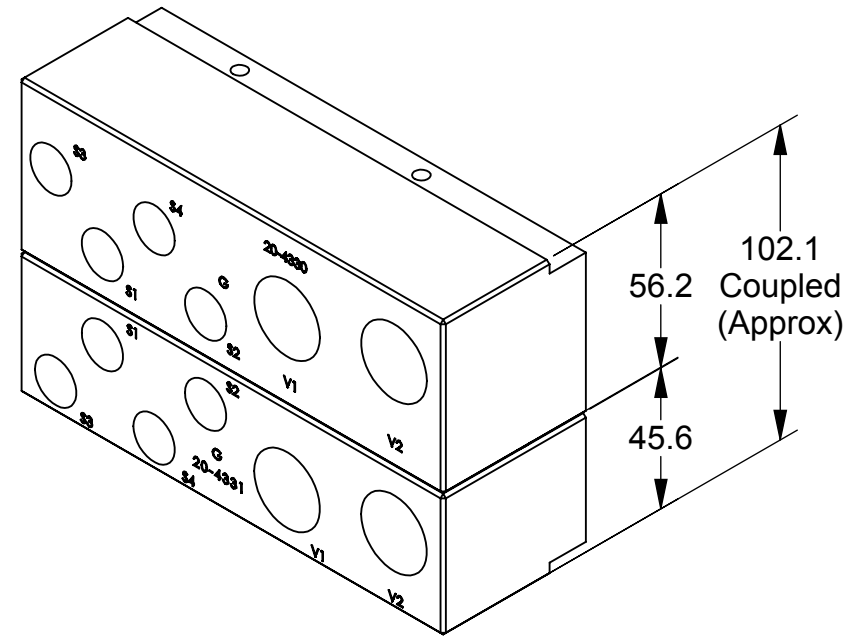
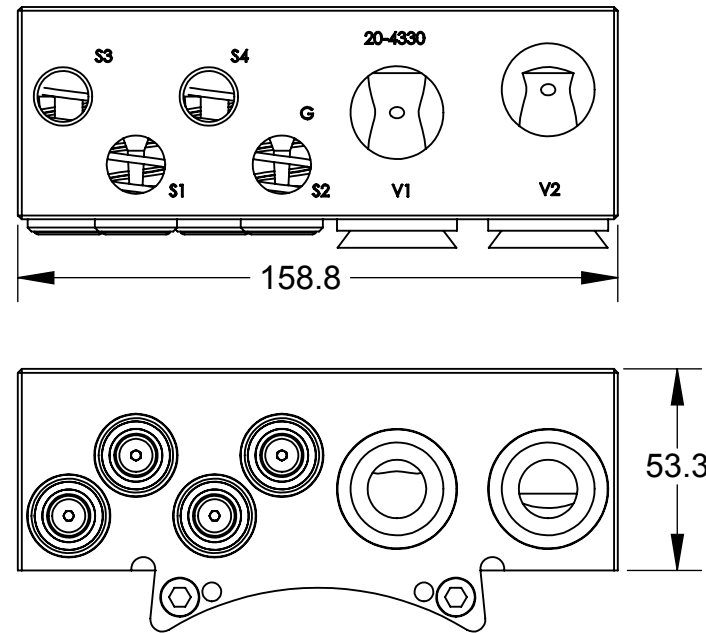
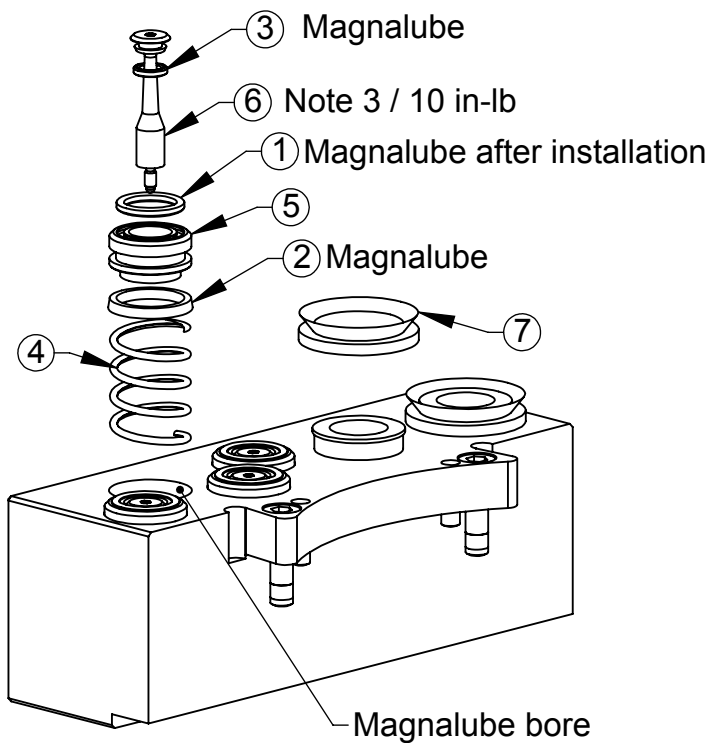
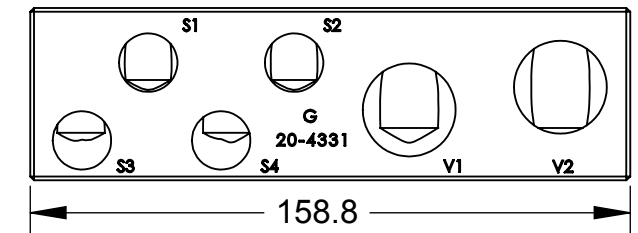
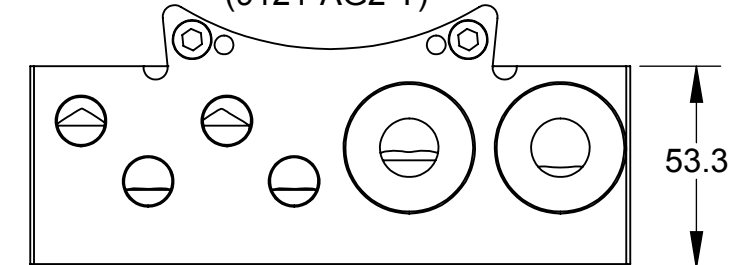


Rev.	Description	Initiator	Date
07	ECO 14375; Added torque and Magnalube information. Added Note 3.	SZJ	8/5/2016

### AG2 Master Module (9121-AG2-M)



### AG2 Tool Module (9121-AG2-T)



#### Notes:

#### Materials of Construction:

- Housings - Anodized aluminum.
- Valve Components - Stainless Steel, Nitrile & PVC
- Replacement stem contains pre-applied thread locker. Use Loctite 7649 primer and Loctite 222 if reassembling with original stem.

#### Operations:

- Pneumatic Operation Only.
- For best results keep air module mating surfaces free and clear of any debris.
- Checked ports can produce significant forces when under high supply pressures. These forces have to be overcome to achieve tool changer coupling.
- Checked ports do not support vacuum conditions.
- AG2-M master module has (4) G 3/8 checked ports and (2) G 3/4 vacuum ports.
- AG2-T tool module has (4) G 3/8 unchecked ports and (2) G 3/4 vacuum ports.

#### AG2-M Serviceable Parts

ITEM NO.	QTY.	PART NUMBER	DESCRIPTION
1	4	3410-0001065-01	O-Ring 14MM X 2MM Buna
2	4	3410-0001068-01	Mini U-Cup Seal 18mm ID x 22mm Buna
3	4	3410-0001183-01	O-Ring 6MM X 2MM Buna D90
4	4	3700-20-1459	SW-150A Master Fluid / Air Spring SS
5	4	3700-20-2994	Master Check Valve Piston, FA44
6	4	3700-20-2996	VALVE STEM, HIGH STRENGTH
7	2	4010-0000030-01	V-Ring Seal


Note: Service Kit 9120-F2-M-Kit consists of (1) each of items 1 thru 4.  
 Note: Service Kit 9120-F4-M-Kit consists of (1) each of items 1 thru 6.

NOTES: UNLESS OTHERWISE SPECIFIED.

DO NOT SCALE DRAWING. ALL DIMENSIONS ARE IN MILLIMETERS.



3rd ANGLE PROJECTION



1031 Goodworth Drive, Apex, NC 27539, USA  
 Tel: +1.919.772.0115 Email: info@ati-ia.com  
 Fax: +1.919.772.8259 www.ati-ia.com  
 ISO 9001 Registered Company

PROPERTY OF ATI INDUSTRIAL AUTOMATION, INC. NOT TO BE REPRODUCED IN ANY MANNER EXCEPT ON ORDER OR WITH PRIOR WRITTEN AUTHORIZATION OF ATI.

DRAWN BY: J.Snape 4/13/05		TITLE	
CHECKED BY: P.Sparrow 4/15/05		AG2 Master & Tool Module Drawing	
SCALE	SIZE	DRAWING NUMBER	REVISION
1:2	B	9630-20-AG2	07