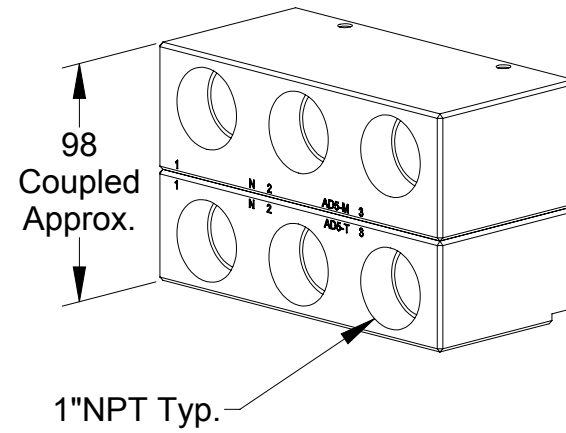


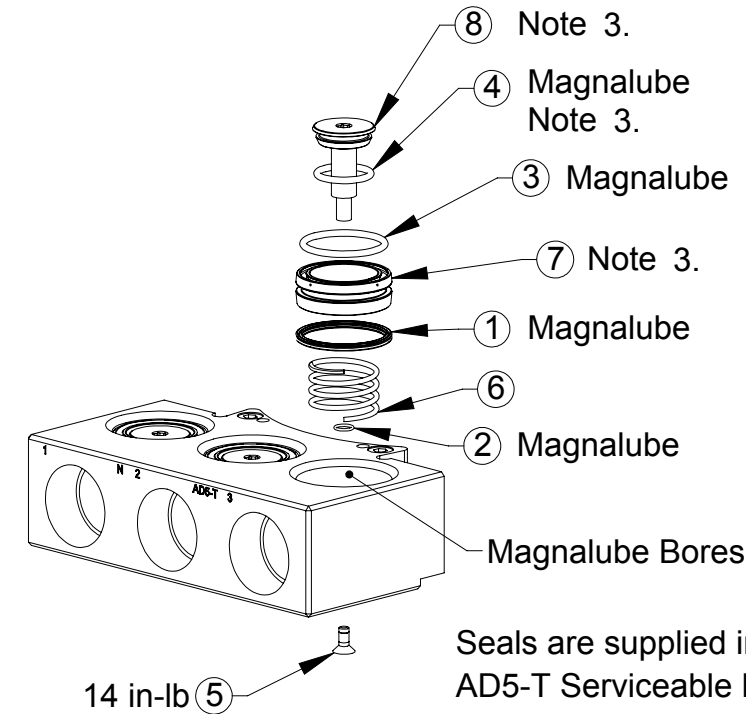
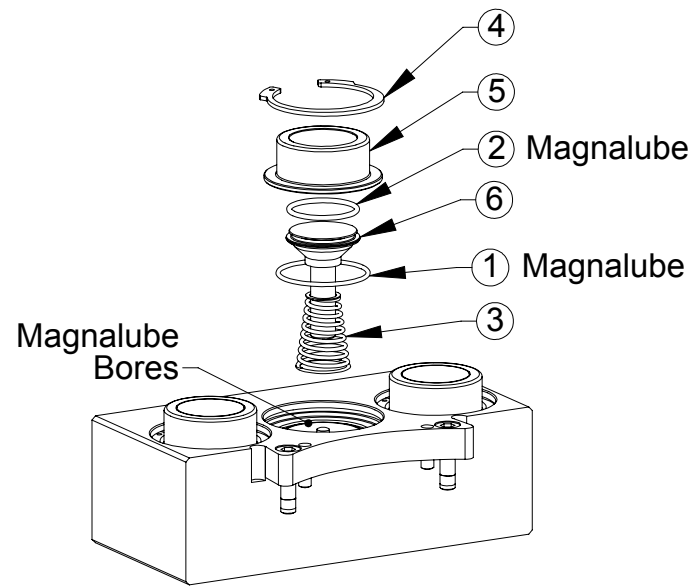
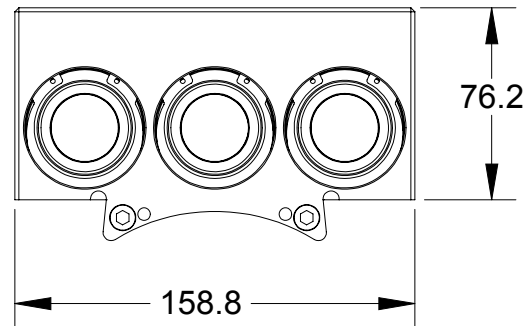
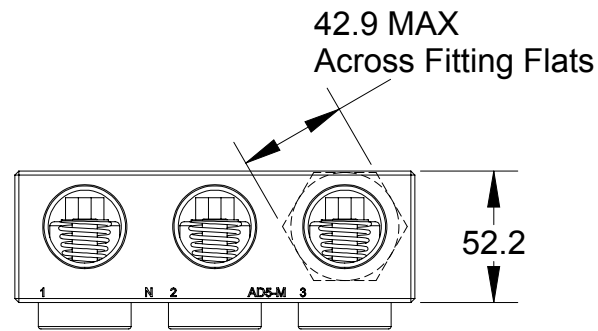
**Notes:**

1. Significant forces are present due to pressure inside of the module ports. Robot assistance is required to overcome these forces when coupling the tool changer.
2. The separation forces must be calculated per port according to the formula:  
 Separation Force (lbf) = 1.82 x (PSI-1 + PSI-2 + PSI-3) + 97  
 Separation Force (N) = 117.7 x (Bar-1 + Bar-2 + Bar-3) + 432  
 97 pounds (432 N) of force will be present due to internal springs even with no air pressure present.
3. See Manual for replacement parts, including older valve designs which require a spanner wrench for Stem installation. New Stems install with a hex wrench.

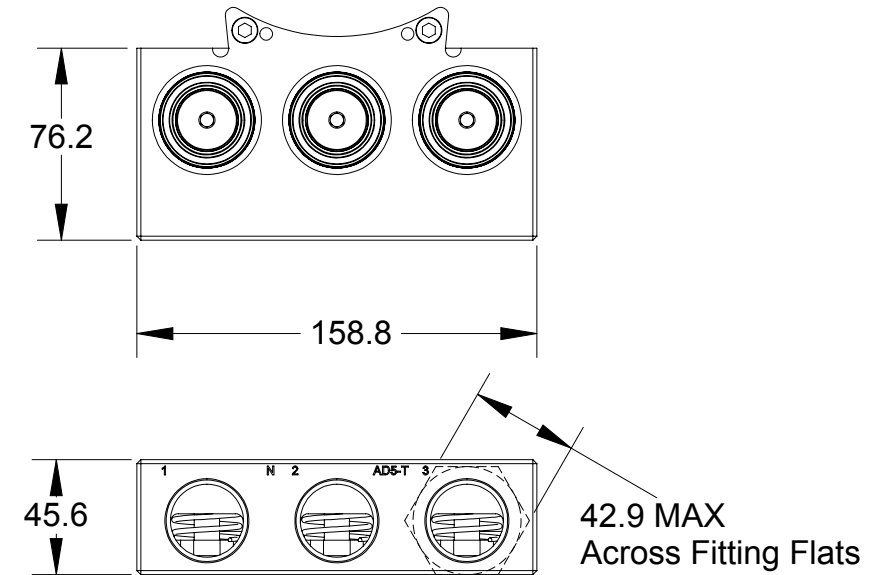
Rev.	Description	Initiator	Date
05	ECO 14949; Replaced 3700-20-6442 with 3700-20-9942, replaced 3700-20-6807 with 3700-20-9610, replaced 3410-0001096-01 with 3410-0001450-01, replaced kit 9121-AD3-T with 9005-20-8555, and added Note 3.	SZJ	11/3/2016



AD5 Master Module  
9121-AD5-M



AD5 Tool Module  
9121-AD5-T



Seals are supplied in kit: 9005-20-8555  
AD5-T Serviceable Parts

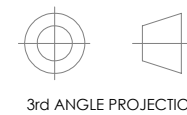
ITEM NO.	QTY.	PART NUMBER	DESCRIPTION
1	3	3410-0001099-01	Quad-Ring 1-5/16"ID
2	3	3410-0001316-01	6x1 O-Ring, Buna-N, D70
3	3	3410-0001341-01	O-Ring, 1-3/16IDx3/32, AS568-123 Buna-N, D90
4	3	3410-0001450-01	O-Ring, AS568-116, Buna-N, A90
5	3	3500-1262010-15A	M4 x 10mm SFHCS, Blue Dyed Magni-565 w/Microspheres
6	3	3610-2015001-20	Spring
7	3	3700-20-9610	3/4" Valve Piston, Tool, Conical Seal
8	3	3700-20-9942	3/4" Valve Stem, Tool, Conical Seal, Tapped

Seals and retaining ring are supplied in kit: 9121-AD3-M-SEAL  
AD5-M Serviceable Parts

ITEM NO.	QTY.	PART NUMBER	DESCRIPTION
1	3	3410-0001015-01	O-Ring Master AS568-026
2	3	3410-0001317-01	24x2 O-Ring, Buna-N, D70
3	3	3610-7204601-21	Conical Spring, Century TA-2199
4	3	3690-8500001-11	Retaining Ring, Internal Inverted Truarc # 5008-187
5	3	3700-20-4924	3/4" Valve Master Stem
6	3	3700-20-6440	AD3 Valve Piston, Master

NOTES: UNLESS OTHERWISE SPECIFIED.

DO NOT SCALE DRAWING. ALL DIMENSIONS ARE IN MILLIMETERS.



1031 Goodworth Drive, Apex, NC 27539, USA  
Tel: +1.919.772.0115 Email: info@ati-ia.com  
Fax: +1.919.772.8259 www.ati-ia.com  
ISO 9001 Registered Company

PROPERTY OF ATI INDUSTRIAL AUTOMATION, INC. NOT TO BE REPRODUCED IN ANY MANNER EXCEPT ON ORDER OR WITH PRIOR WRITTEN AUTHORIZATION OF ATI.

DRAWN BY: D.Lawson-5/14/12		TITLE	
CHECKED BY: D.Wagner-5/14/12		AD5 Customer Drawing, 1"NPT, 3-Port (Air Only)	
PROJECT #	120510-2	SHEET	1 OF 1
SCALE	1:3	SIZE	B
DRAWING NUMBER	9630-20-AD5	REVISION	05