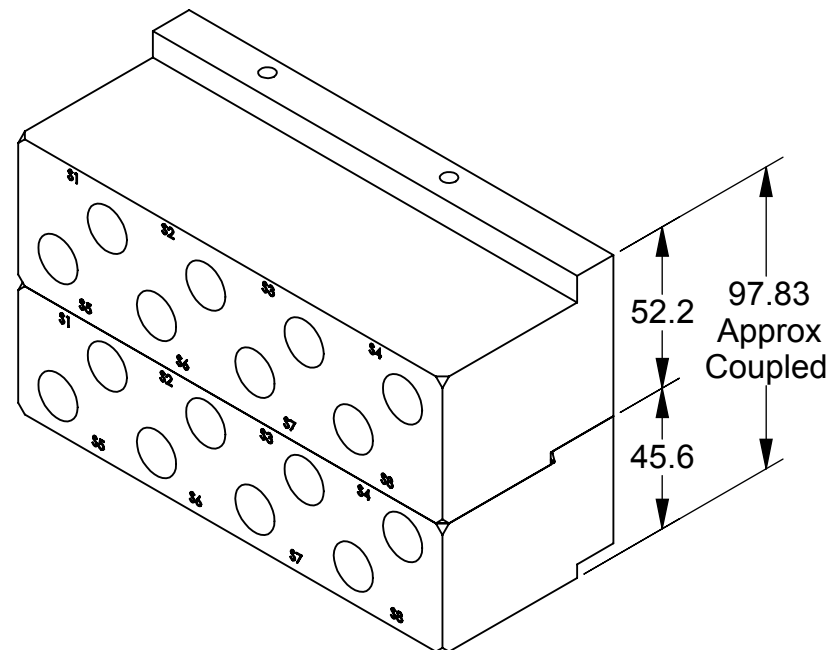
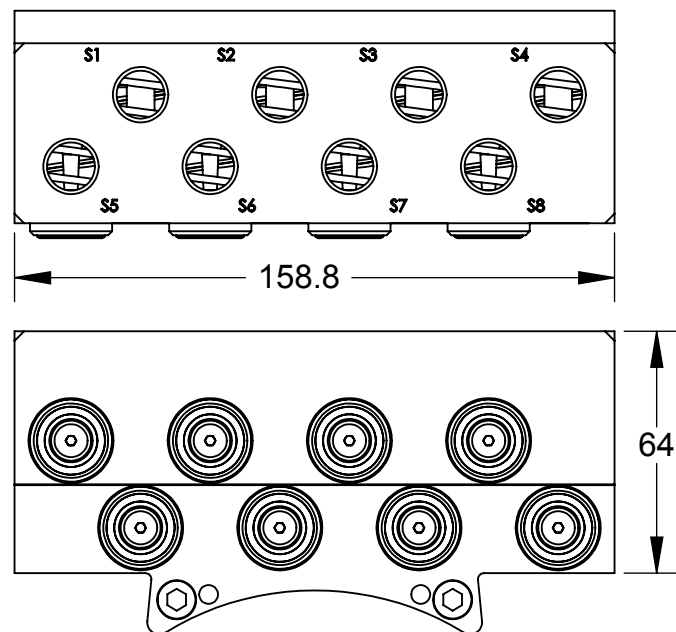
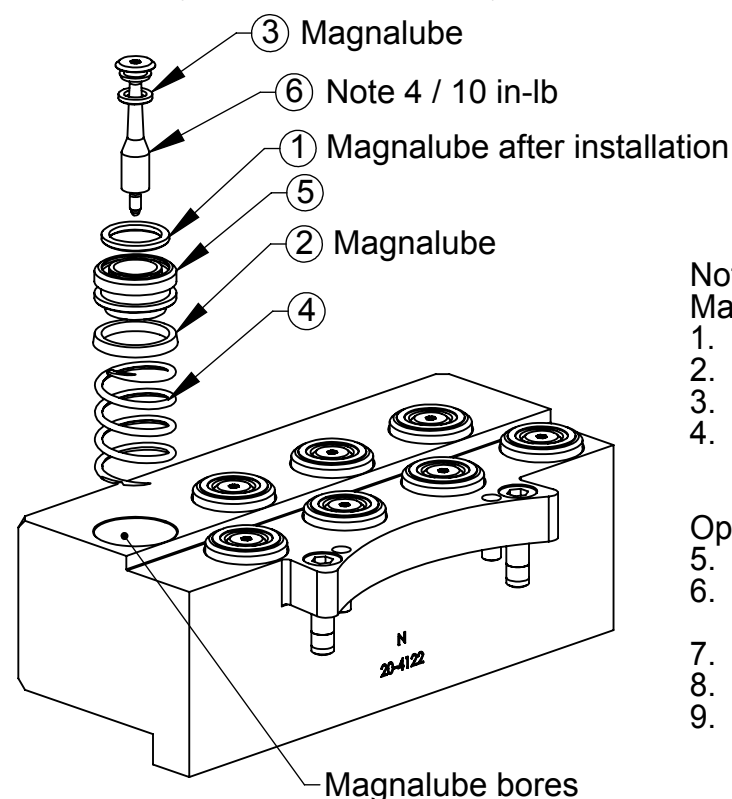
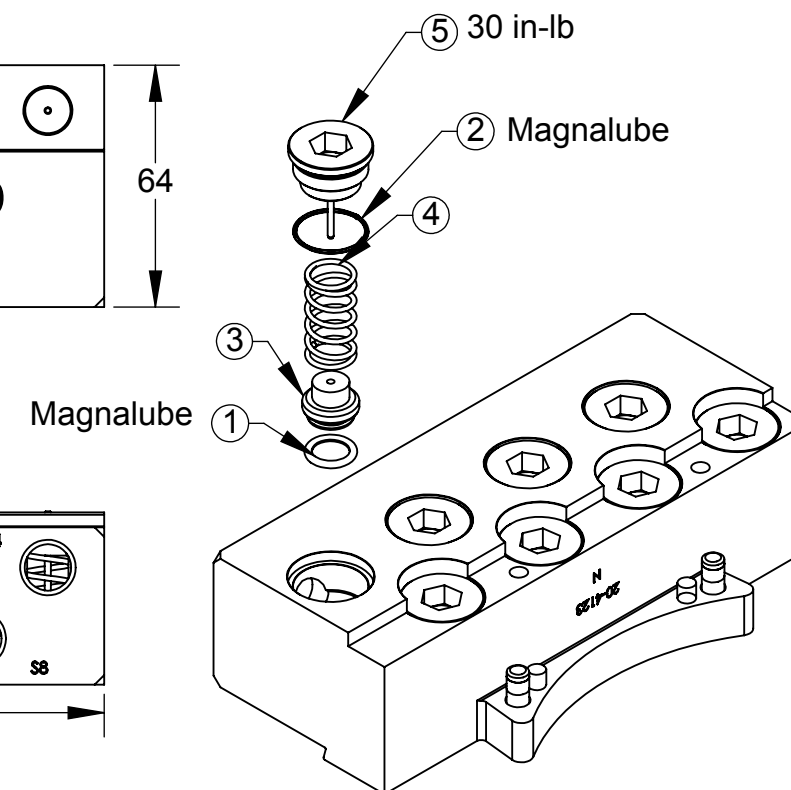
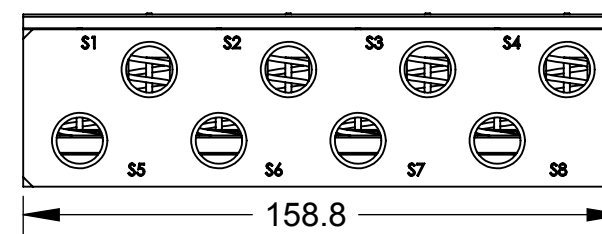
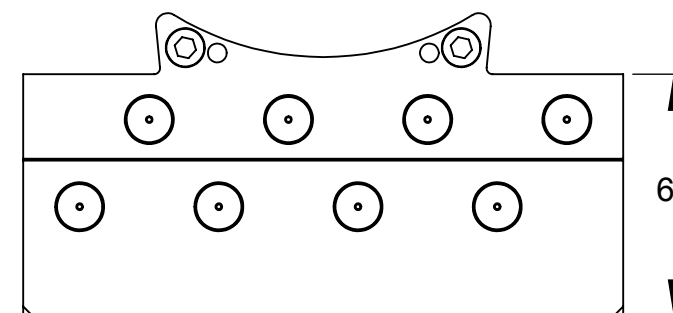


| Rev. | Description | Initiator | Date |
|------|--|-----------|----------|
| 08 | ECO 14375; Added torque and Magnalube information. Added Note 4. | SZJ | 8/5/2016 |

AB2 Master Module (9121-AB2-M)



AB2 Tool Module (9121-AB2-T) AB3 Tool Module (9121-AB3-T) AB4 Tool Module (9121-AB4-T) Shown



Notes:

Materials of Construction:

- Housings - Anodized aluminum.
- Valve Components - Stainless Steel, Nitrile & PVC
- Quantities shown in bill of materials are for AB2 master and AB4 tool.
- Replacement stem contains pre-applied thread locker. Use Loctite 7649 primer and Loctite 222 if reassembling with original stem.

Operations:

- For best results keep air module mating surfaces free and clear of any debris.
- Checked ports can produce significant forces when under high supply pressures. These forces have to be overcome to achieve tool changer coupling.
- Checked ports do not support vacuum conditions.
- AB2-M master module has (8) 3/8 NPT checked ports.
- AB2-T tool module has (4) checked and (4) pass thru 3/8 NPT ports. AB3-T has (8) pass thru 3/8 NPT ports. AB4-T has (8) checked 3/8 NPT ports.

AB2-T / AB3-T / AB4-T Serviceable Parts

| ITEM NO. | QTY. | PART NUMBER | DESCRIPTION |
|----------|------|-----------------|---|
| 1 | 8 | 3410-0001067-01 | O-ring, 10mm x 2mm, Buna N, Dur. 90 |
| 2 | 8 | 3410-0001284-01 | O-ring, .669OD x .047 wall, 70D, Buna-N |
| 3 | 8 | 3700-20-1457 | SW-150A Tool Check Valve Piston |
| 4 | 8 | 3700-20-1460 | SPRING, F/A TOOL |
| 5 | 8 | 9005-20-1515 | 3/8" Check Port Long Plug with Dowel |

Note: Service Kit 9120-F1-T-Kit consists of (1) each of items 1, 2, & 4.
Note: Service Kit 9120-F5-T-Kit consists of (1) each of items 1 thru 5.

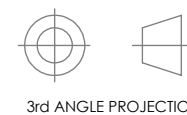
AB2-M Serviceable Parts

| ITEM NO. | QTY. | PART NUMBER | DESCRIPTION |
|----------|------|-----------------|--------------------------------------|
| 1 | 8 | 3410-0001065-01 | O-Ring 14MM X 2MM Buna |
| 2 | 8 | 3410-0001068-01 | Mini U-Cup Seal 18mm ID x 22mm Buna |
| 3 | 8 | 3410-0001183-01 | O-Ring 6MM X 2MM Buna D90 |
| 4 | 8 | 3700-20-1459 | SW-150A Master Fluid / Air Spring SS |
| 5 | 8 | 3700-20-2994 | Master Check Valve Piston, FA44 |
| 6 | 8 | 3700-20-2996 | VALVE STEM, HIGH STRENGTH |

Note: Service Kit 9120-F2-M-Kit consists of (1) each of items 1 thru 4.
Note: Service Kit 9120-F4-M-Kit consists of (1) each of items 1 thru 6.

NOTES: UNLESS OTHERWISE SPECIFIED.

DO NOT SCALE DRAWING. ALL DIMENSIONS ARE IN MILLIMETERS.



1031 Goodworth Drive, Apex, NC 27539, USA
Tel: +1.919.772.0115 Email: info@ati-ia.com
Fax: +1.919.772.8259 www.ati-ia.com
ISO 9001 Registered Company

PROPERTY OF ATI INDUSTRIAL AUTOMATION, INC. NOT TO BE REPRODUCED IN ANY MANNER EXCEPT ON ORDER OR WITH PRIOR WRITTEN AUTHORIZATION OF ATI.

| | | | |
|-------------------------------|-------------|---|--------|
| DRAWN BY: J.Snape 1/14/05 | | TITLE | |
| CHECKED BY: P.Sparrow 1/17/05 | | AB2-M, AB2-T / AB3-T / AB4-T Module Drawing | |
| PROJECT # | 040331-1 | SHEET | 1 OF 1 |
| SCALE | 1:2 | SIZE | B |
| DRAWING NUMBER | 9630-20-AB2 | REVISION | 08 |