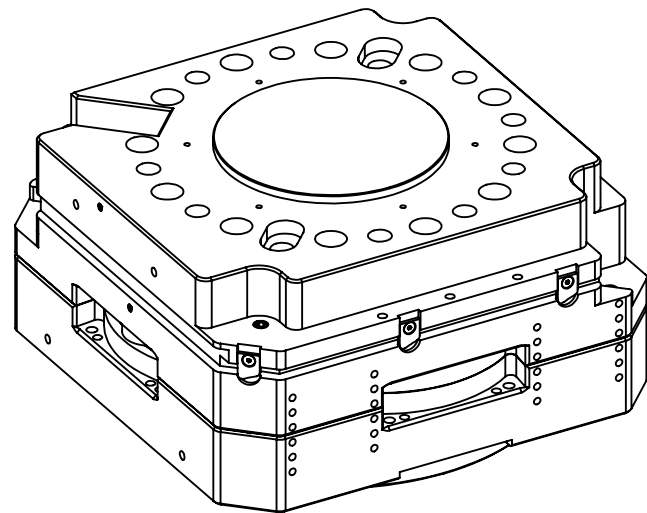
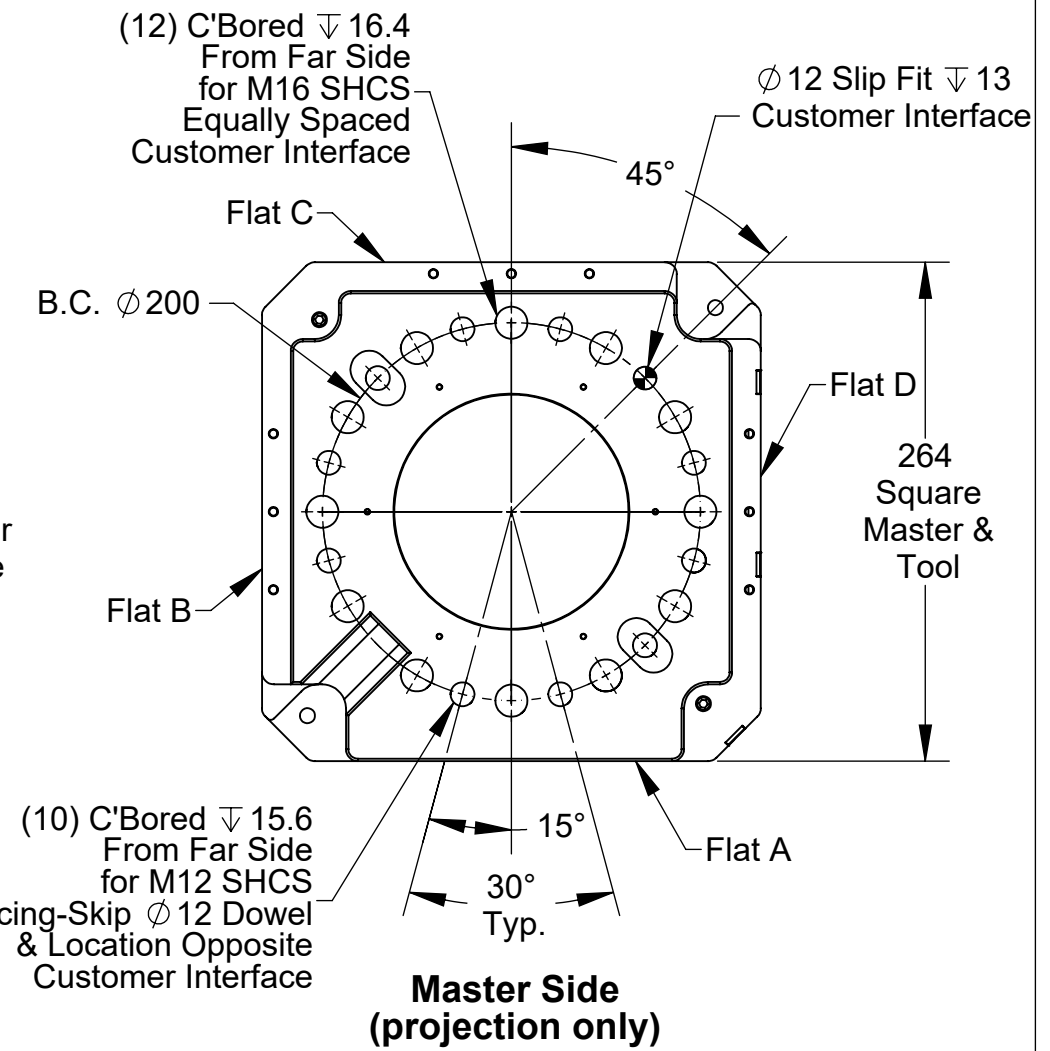
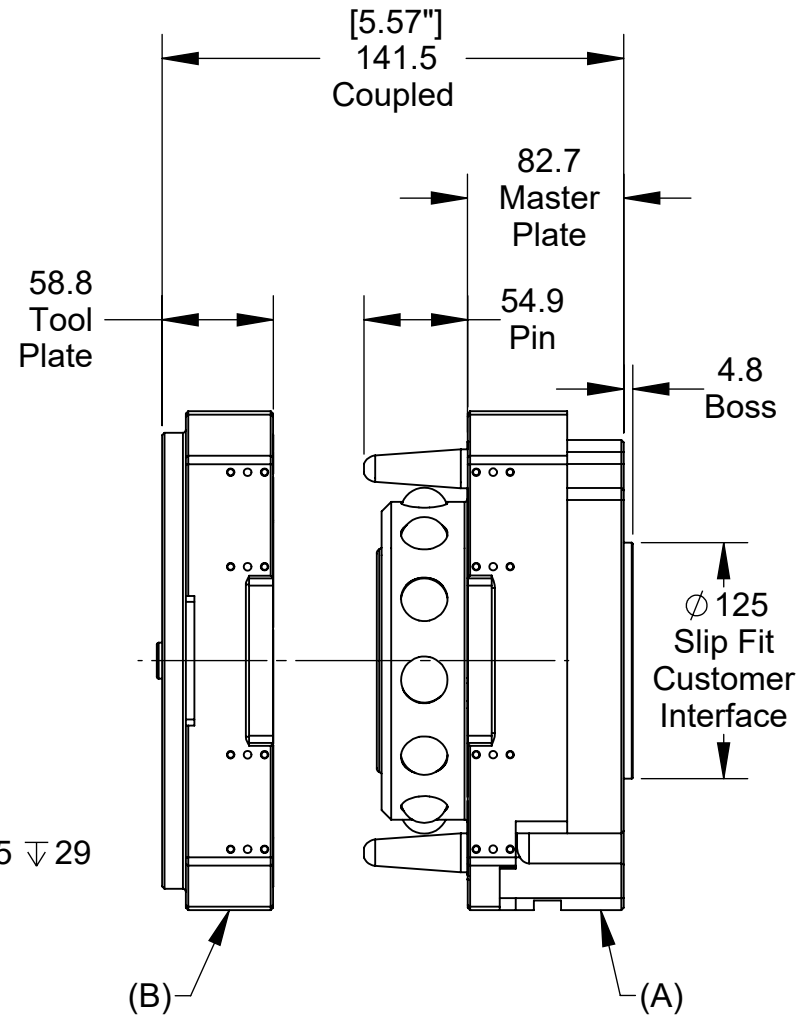
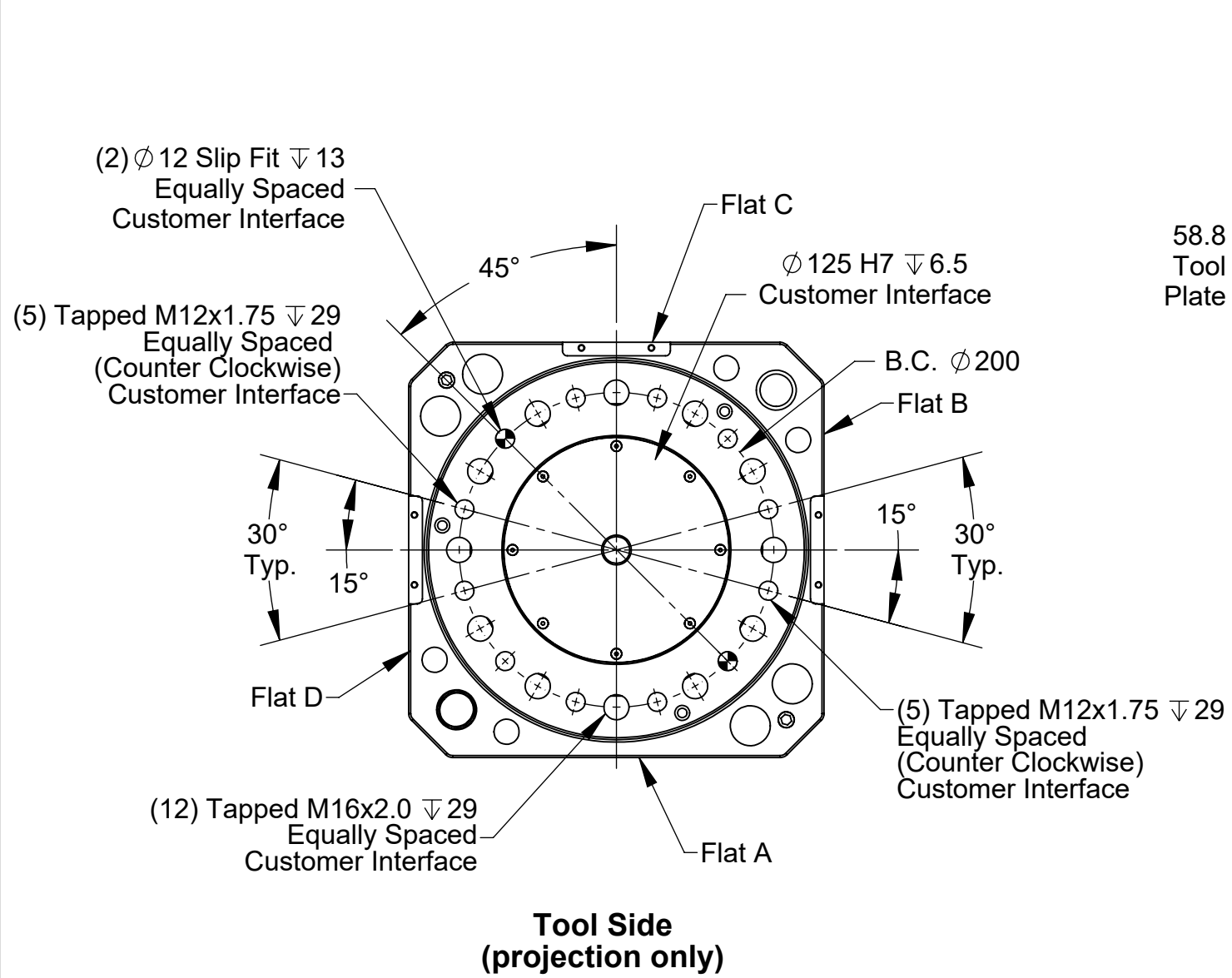


Rev.	Description	Initiator	Date
06	ECO 21234; Updated to reflect adding the 9005-20-1334 tool / race cover	DS	2/6/2023



Scale 1:4

Part Numbers:
 (A) Master: 9121-510DMX-0-0-0-0
 (B) Tool: 9121-510DT-0-0-0-0

NOTES: UNLESS OTHERWISE SPECIFIED.

DO NOT SCALE DRAWING. ALL DIMENSIONS ARE IN MILLIMETERS.



3rd ANGLE PROJECTION

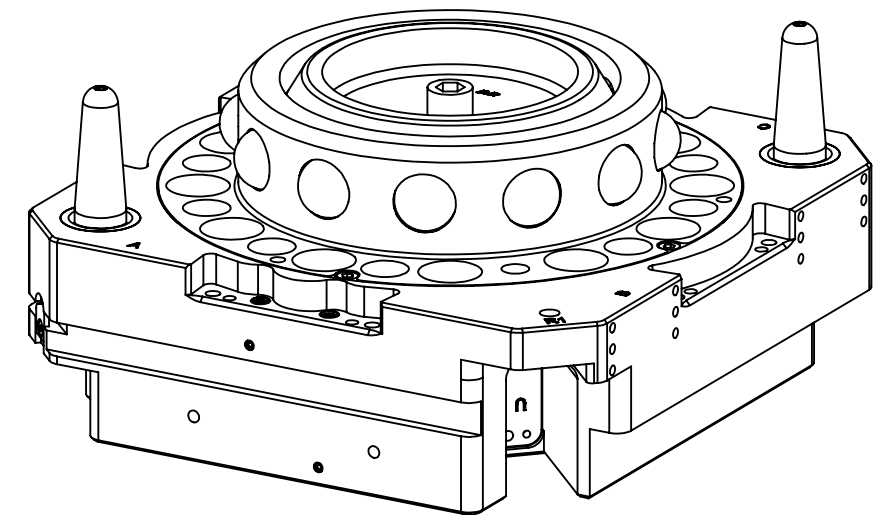
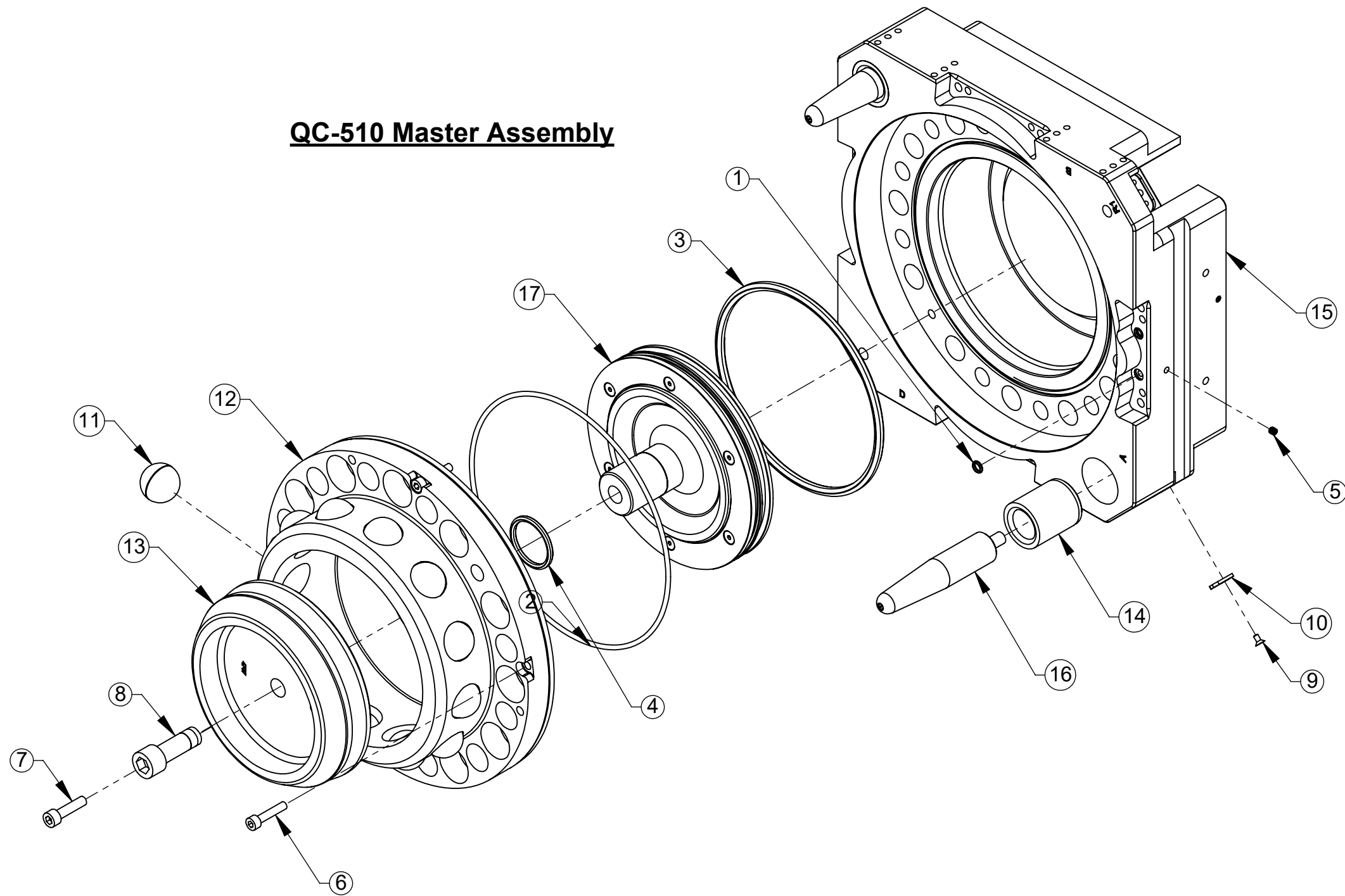


1031 Goodworth Drive, Apex, NC 27539, USA
 Tel: +1.919.772.0115 Email: info@ati-ia.com
 Fax: +1.919.772.8259 www.ati-ia.com
 ISO 9001 Registered Company

PROPERTY OF ATI INDUSTRIAL AUTOMATION, INC. NOT TO BE REPRODUCED IN ANY MANNER EXCEPT ON ORDER OR WITH PRIOR WRITTEN AUTHORIZATION OF ATI.

DRAWN BY: D. Swanson 5/21/09		TITLE	
CHECKED BY: D.Norton 6/4/09		QC-510 Base Tool Changer	
PROJECT #	SHEET 1 OF 3	SCALE	REVISION
		1:4	06
		SIZE	
		B	
		DRAWING NUMBER	
		9630-20-510	

QC-510 Master Assembly



NOTES: UNLESS OTHERWISE SPECIFIED.

DO NOT SCALE DRAWING. ALL DIMENSIONS ARE IN MILLIMETERS.



3rd ANGLE PROJECTION

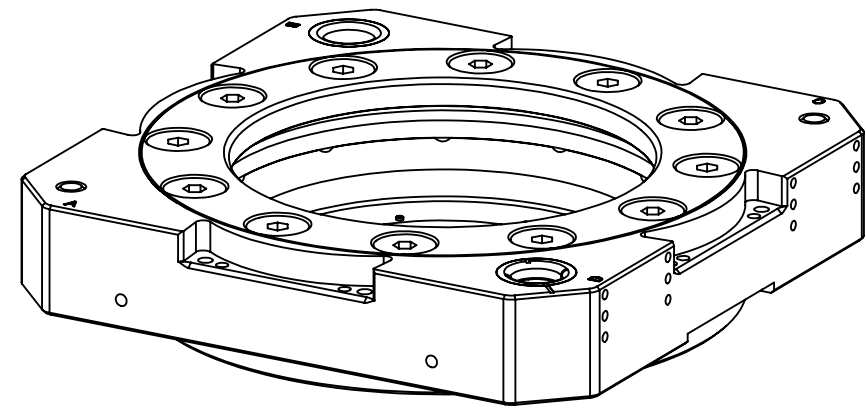
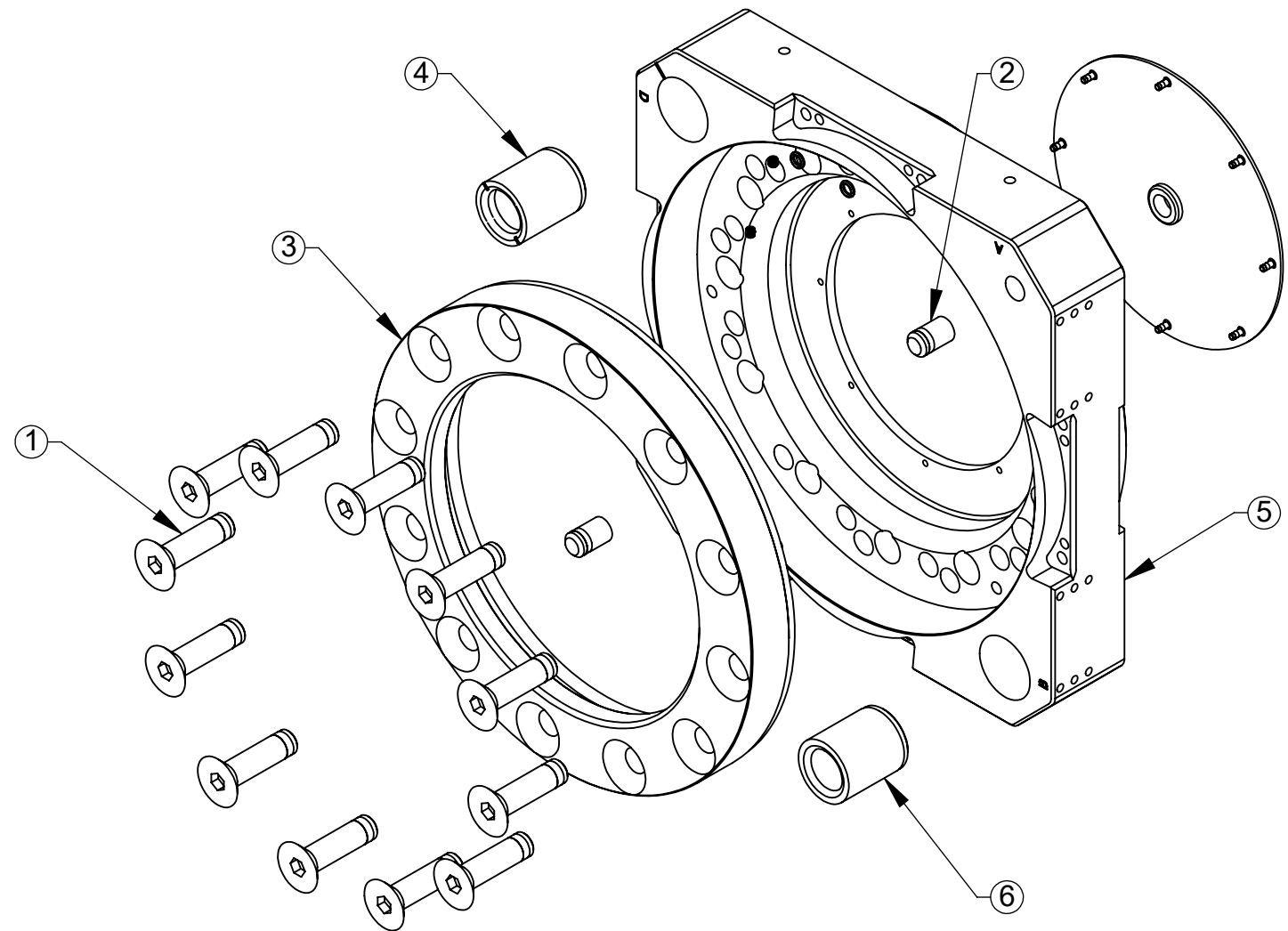


1031 Goodworth Drive, Apex, NC 27539, USA
 Tel: +1.919.772.0115 Email: info@ati-ia.com
 Fax: +1.919.772.8259 www.ati-ia.com
 ISO 9001 Registered Company

PROPERTY OF ATI INDUSTRIAL AUTOMATION, INC. NOT TO BE REPRODUCED IN ANY MANNER EXCEPT ON ORDER OR WITH PRIOR WRITTEN AUTHORIZATION OF ATI.

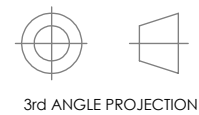
DRAWN BY: D. Swanson 5/21/09		TITLE		
CHECKED BY: D.Norton 6/4/09		QC-510 Base Tool Changer		
PROJECT #	SHEET 2 OF 3	SCALE	SIZE	DRAWING NUMBER
		1:3	B	9630-20-510
				REVISION
				06

QC-510 Tool Assembly



NOTES: UNLESS OTHERWISE SPECIFIED.

DO NOT SCALE DRAWING. ALL DIMENSIONS ARE IN MILLIMETERS.



1031 Goodworth Drive, Apex, NC 27539, USA
 Tel: +1.919.772.0115 Email: info@ati-ia.com
 Fax: +1.919.772.8259 www.ati-ia.com
 ISO 9001 Registered Company

PROPERTY OF ATI INDUSTRIAL AUTOMATION, INC. NOT TO BE REPRODUCED IN ANY MANNER EXCEPT ON ORDER OR WITH PRIOR WRITTEN AUTHORIZATION OF ATI.

DRAWN BY: D. Swanson 5/21/09		TITLE		
CHECKED BY: D.Norton 6/4/09		QC-510 Base Tool Changer		
PROJECT #	SHEET 3 OF 3	SCALE	SIZE	DRAWING NUMBER
		1:3	B	9630-20-510
				REVISION
				06