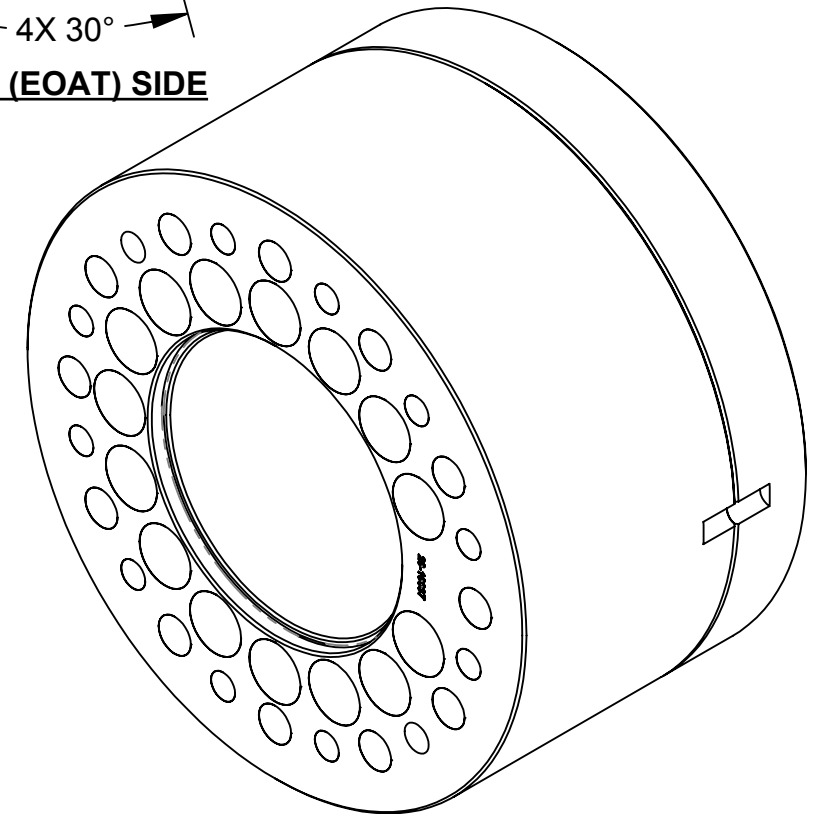
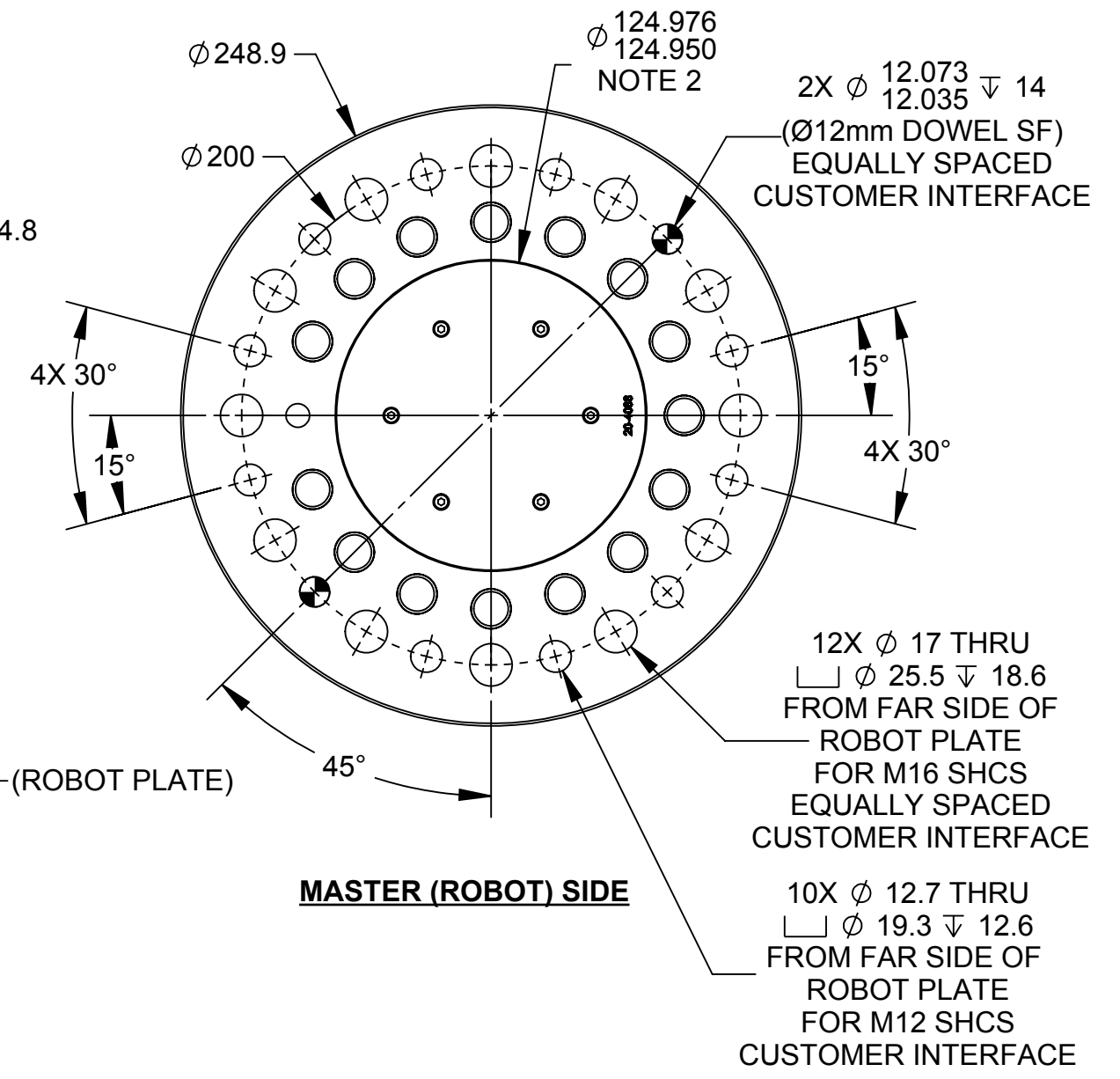
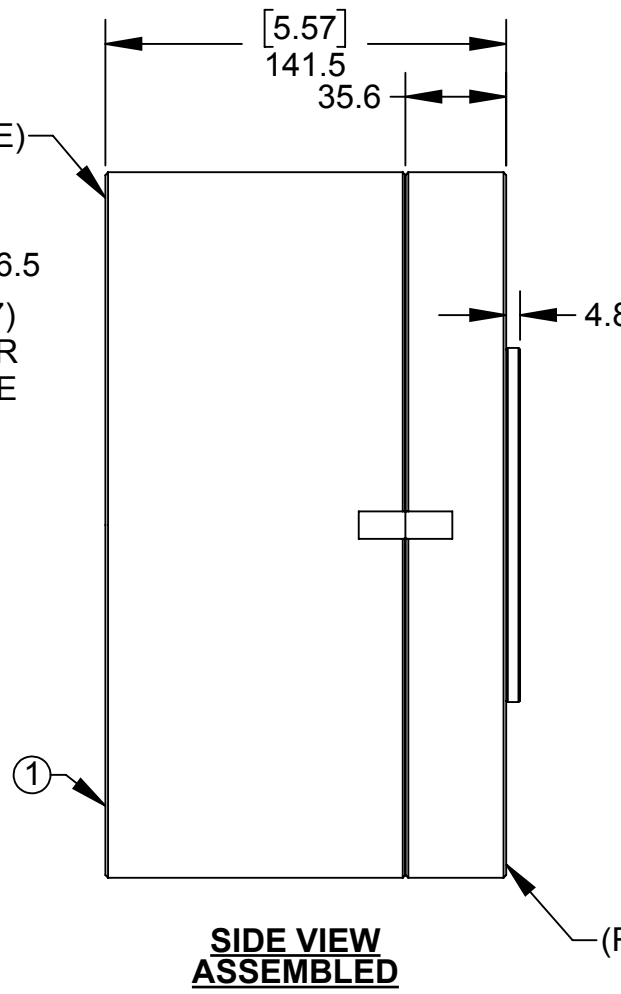
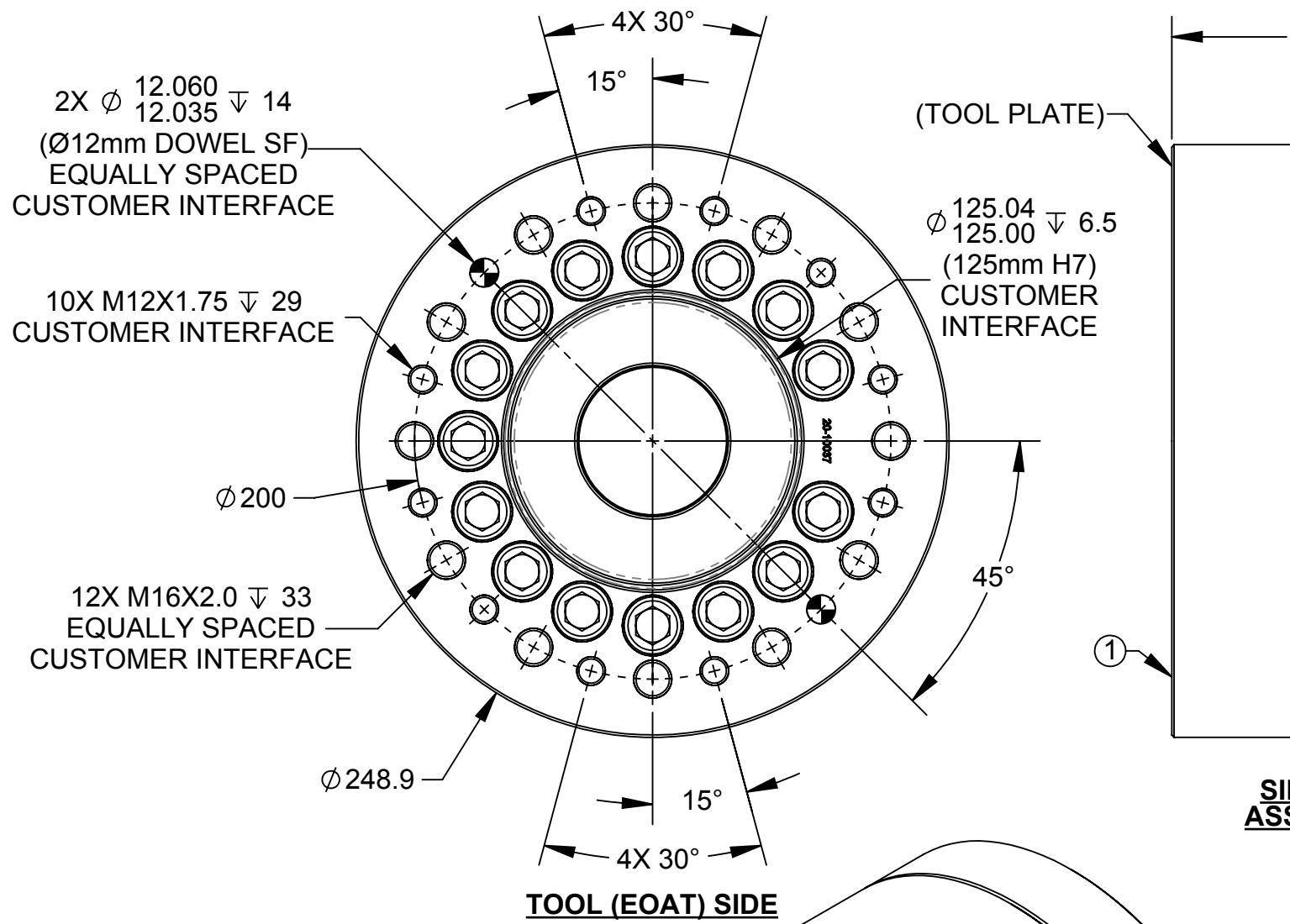


Rev.	Description	Initiator	Date
01	Initial Drawing	JMW	8/25/2016



- NOTES:
1. ROBOT AND TOOL FASTENERS NOT INCLUDED. OPTIONAL ROBOT FASTENER KITS AVAILABLE.
  2. OTHER OPTIONAL MASTER SIDE MOUNTING BOSSES AVAILABLE.

ITEM NO.	QTY.	PART NUMBER	DESCRIPTION
1	1	9121-510-D-10036	QC-510 Spacer, Two Piece Bolted Type, 125mm Boss

NOTES: UNLESS OTHERWISE SPECIFIED.

DO NOT SCALE DRAWING. ALL DIMENSIONS ARE IN MILLIMETERS.

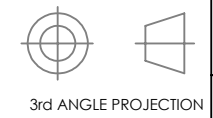
**ATI INDUSTRIAL AUTOMATION**

1031 Goodworth Drive, Apex, NC 27539, USA  
 Tel: +1.919.772.0115 Email: info@ati-ia.com  
 Fax: +1.919.772.8259 www.ati-ia.com  
 ISO 9001 Registered Company

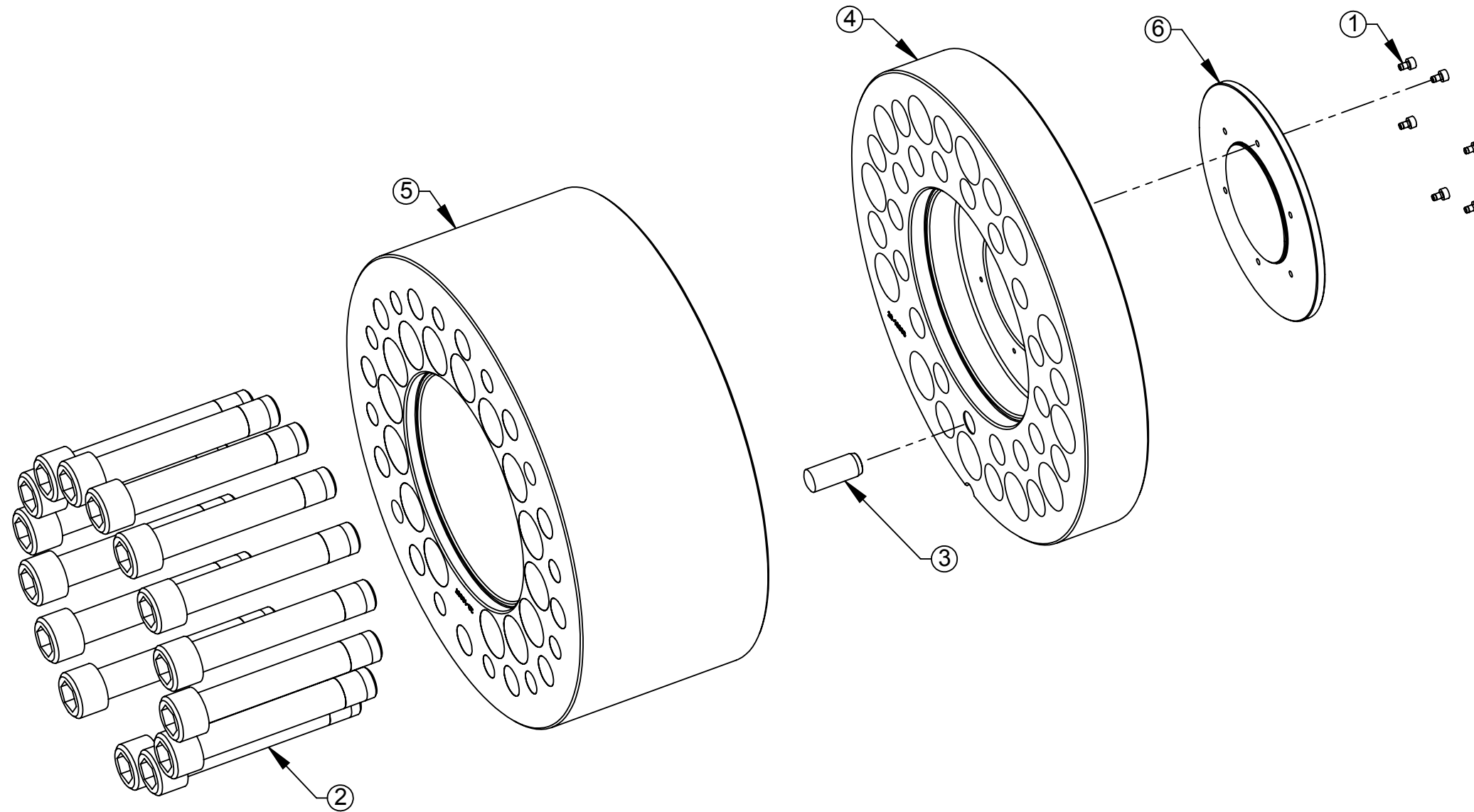
PROPERTY OF ATI INDUSTRIAL AUTOMATION, INC. NOT TO BE REPRODUCED IN ANY MANNER EXCEPT ON ORDER OR WITH PRIOR WRITTEN AUTHORIZATION OF ATI.

DRAWN BY: J. Winterroth, 8/25/16		TITLE	
CHECKED BY: B. Kendrick, 8/29/16		QC-510 Spacer Drawing, Two Piece Bolted Type, 125mm Boss	
SCALE	SIZE	DRAWING NUMBER	REVISION
3:8	B	9630-20-510-D-10036	01

PROJECT # 160812-2 SHEET 1 OF 2



# QC-510 SPACER EXPLODED VIEW



NOTES: UNLESS OTHERWISE SPECIFIED.

DO NOT SCALE DRAWING. ALL DIMENSIONS ARE IN MILLIMETERS.



3rd ANGLE PROJECTION



1031 Goodworth Drive, Apex, NC 27539, USA  
 Tel: +1.919.772.0115 Email: info@ati-ia.com  
 Fax: +1.919.772.8259 www.ati-ia.com  
 ISO 9001 Registered Company

PROPERTY OF ATI INDUSTRIAL AUTOMATION, INC. NOT TO BE REPRODUCED IN ANY MANNER EXCEPT ON ORDER OR WITH PRIOR WRITTEN AUTHORIZATION OF ATI.

DRAWN BY: J. Winterroth, 8/25/16		TITLE	
CHECKED BY: B. Kendrick, 8/29/16		QC-510 Spacer Drawing, Two Piece Bolted Type, 125mm Boss	
PROJECT # 160812-2	SHEET 2 OF 2	SCALE 3:8	SIZE B
		DRAWING NUMBER	REVISION
		9630-20-510-D-10036	01