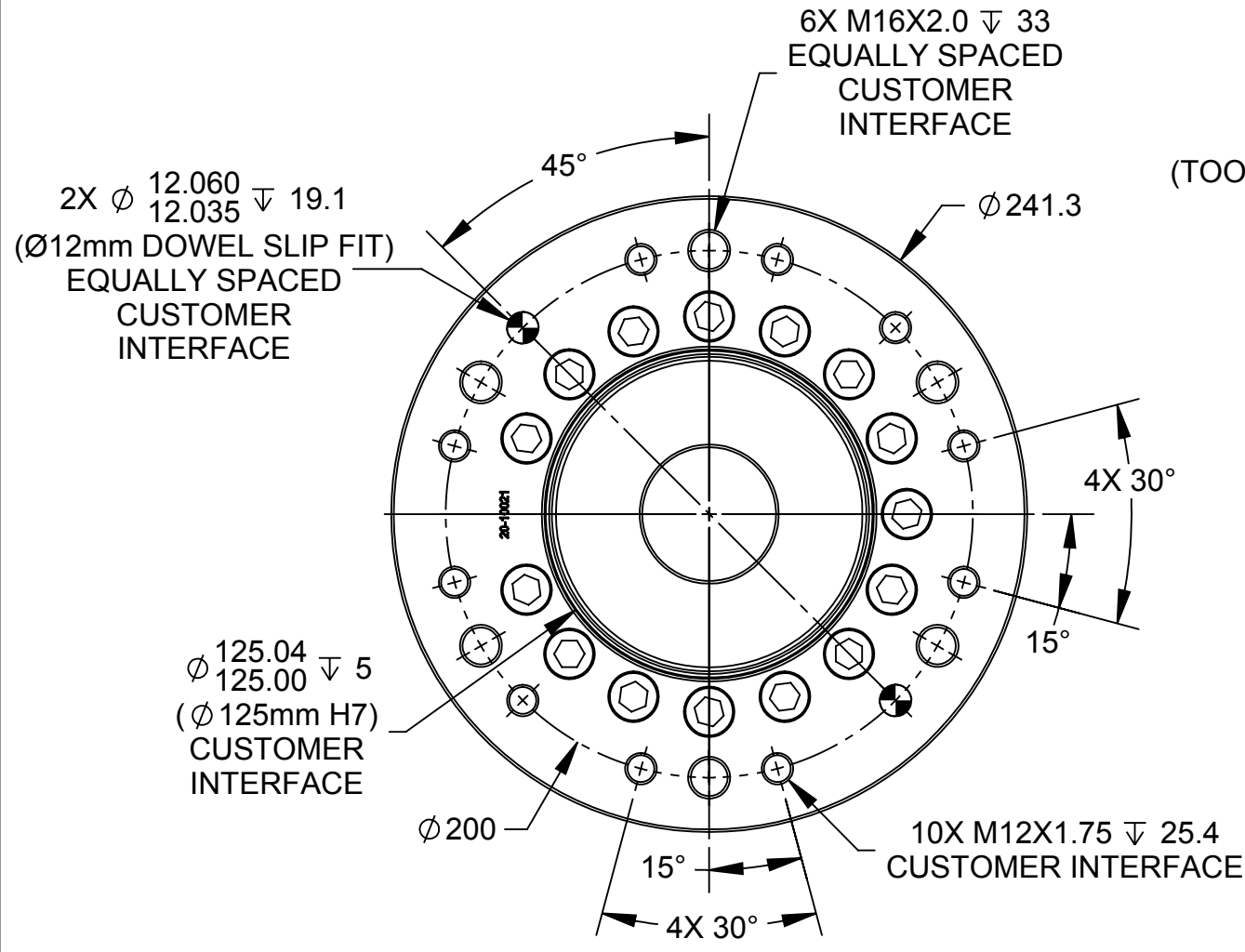
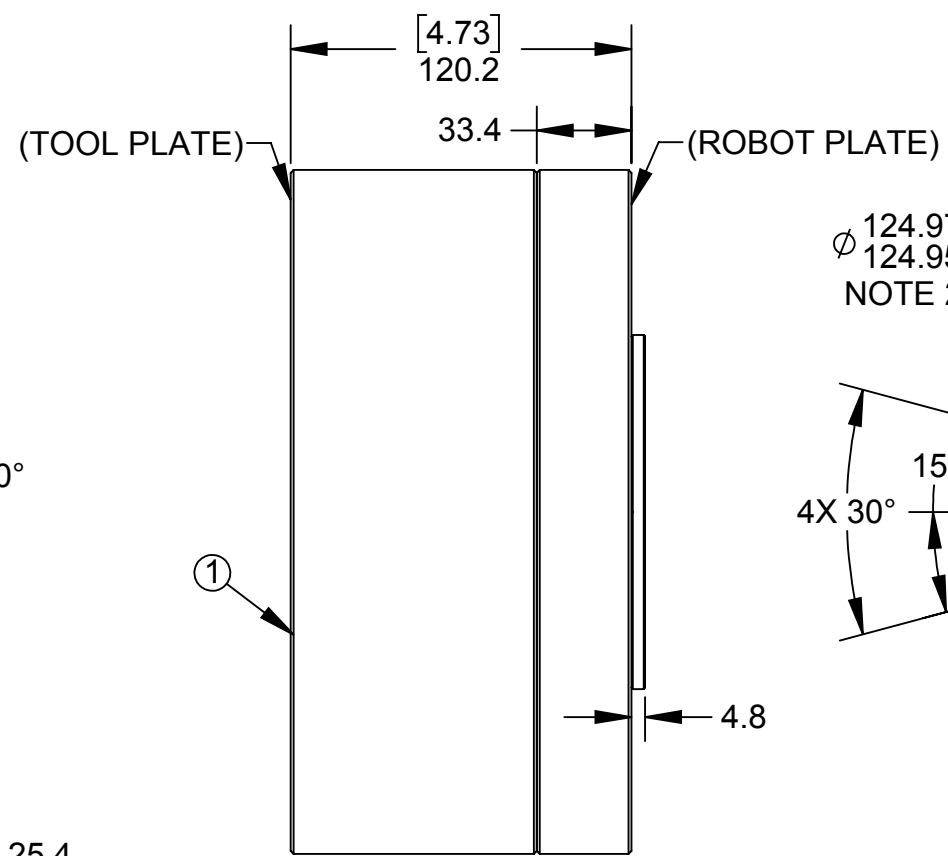


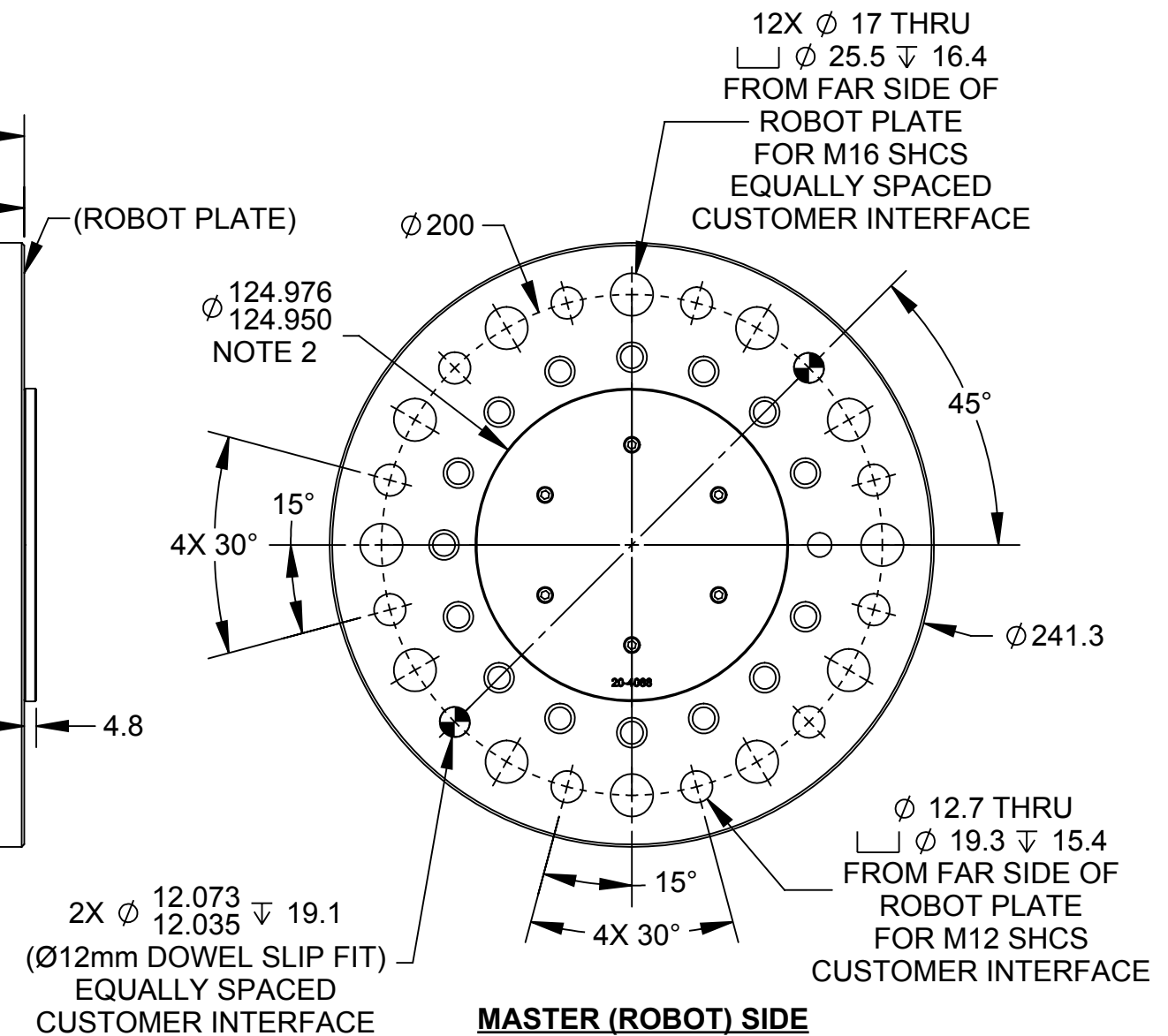
Rev.	Description	Initiator	Date
01	INITIAL DRAWING	KRZ	08/24/16
02	Eco 14938; Dim $\phi$ 12.073/12.035 was 12.060/12.035	LJH	11/1/2016



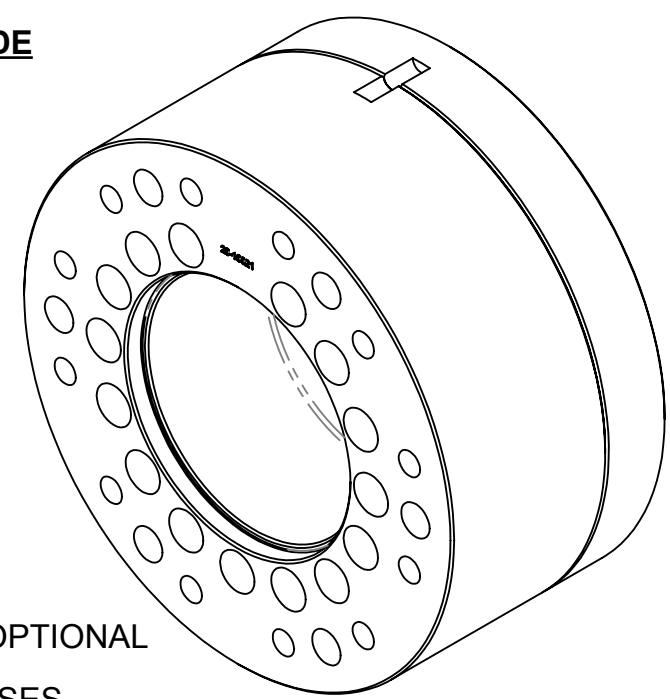
**TOOL (EOAT) SIDE**



**SIDE VIEW ASSEMBLED**



**MASTER (ROBOT) SIDE**



- NOTES:**
- ROBOT AND TOOL FASTENERS NOT INCLUDED. OPTIONAL ROBOT FASTENER KITS AVAILABLE.
  - OTHER OPTIONAL MASTER SIDE MOUNTING BOSSES AVAILABLE.

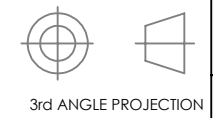
ITEM NO.	QTY	PART NUMBER	DESCRIPTION
1	1	9121-310-D-10020	QC-310 SPACER, TWO PIECE BOLTED TYPE, 125mm BOSS

NOTES: UNLESS OTHERWISE SPECIFIED.  
DO NOT SCALE DRAWING. ALL DIMENSIONS ARE IN MILLIMETERS.



1031 Goodworth Drive, Apex, NC 27539, USA  
Tel: +1.919.772.0115 Email: info@ati-ia.com  
Fax: +1.919.772.8259 www.ati-ia.com  
ISO 9001 Registered Company

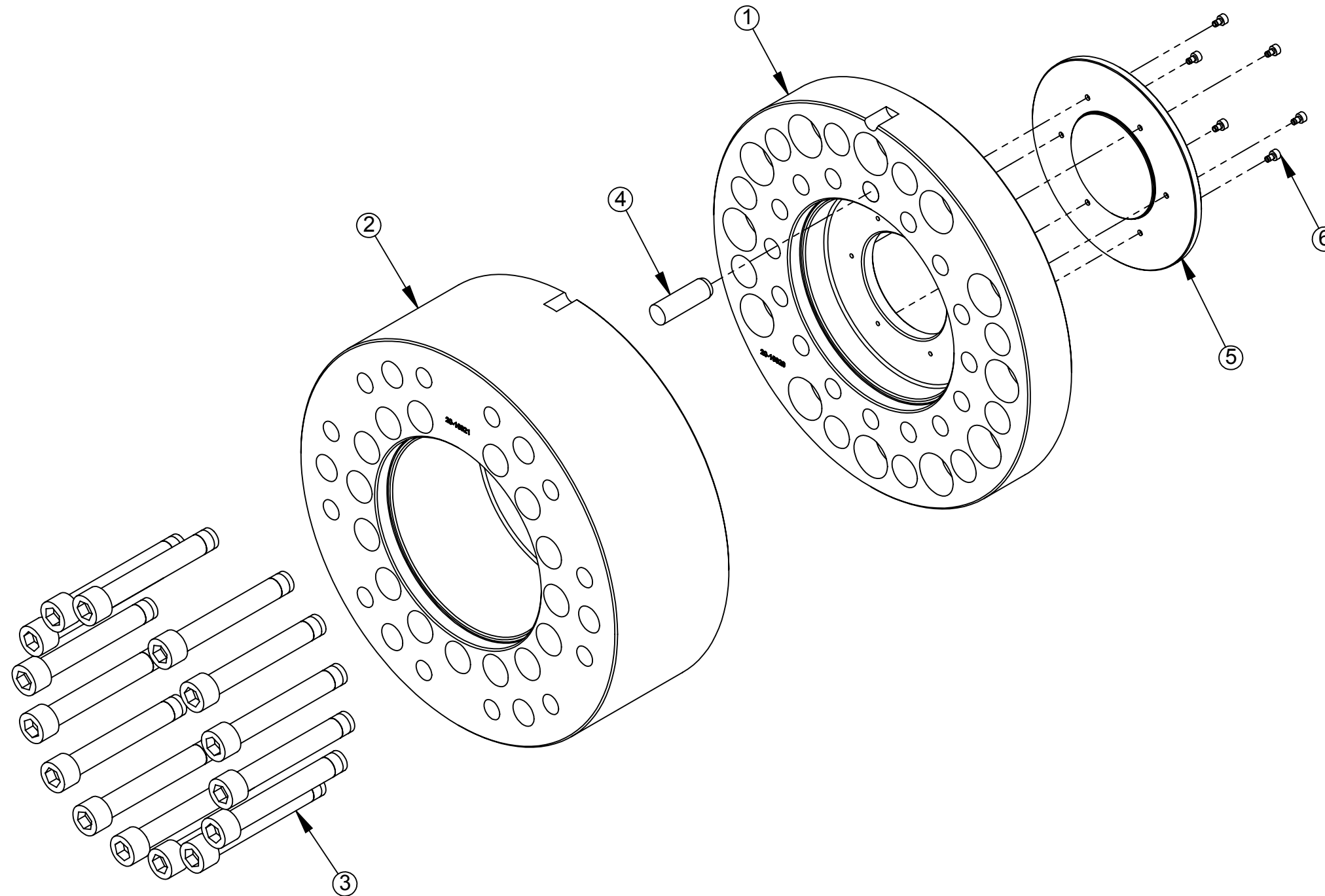
PROPERTY OF ATI INDUSTRIAL AUTOMATION, INC. NOT TO BE REPRODUCED IN ANY MANNER EXCEPT ON ORDER OR WITH PRIOR WRITTEN AUTHORIZATION OF ATI.



DRAWN BY: K. ZACHARY 08/24/16		TITLE	
CHECKED BY: B. KENDRICK 08/25/16		QC-310 SPACER DRAWING, TWO PIECE BOLTED TYPE, 125mm BOSS	
PROJECT # 160727-1	SHEET 1 OF 2	SCALE 3:8	SIZE B
DRAWING NUMBER 9630-20-310-D-10020		REVISION 02	

# QC-310 SPACER EXPLODED VIEW

Rev.	Description	Initiator	Date
-	See Sheet 1	-	-



NOTES: UNLESS OTHERWISE SPECIFIED.

DO NOT SCALE DRAWING. ALL DIMENSIONS ARE IN MILLIMETERS.



3rd ANGLE PROJECTION



1031 Goodworth Drive, Apex, NC 27539, USA  
 Tel: +1.919.772.0115 Email: info@ati-ia.com  
 Fax: +1.919.772.8259 www.ati-ia.com  
 ISO 9001 Registered Company

PROPERTY OF ATI INDUSTRIAL AUTOMATION, INC. NOT TO BE REPRODUCED IN ANY MANNER EXCEPT ON ORDER OR WITH PRIOR WRITTEN AUTHORIZATION OF ATI.

DRAWN BY: K. ZACHARY 08/24/16

CHECKED BY: B. KENDRICK 08/25/16

PROJECT # 160727-1 SHEET 2 OF 2

TITLE  
**QC-310 SPACER DRAWING, TWO PIECE BOLTED TYPE, 125mm BOSS**

SCALE	SIZE	DRAWING NUMBER	REVISION
3:8	B	9630-20-310-D-10020	02