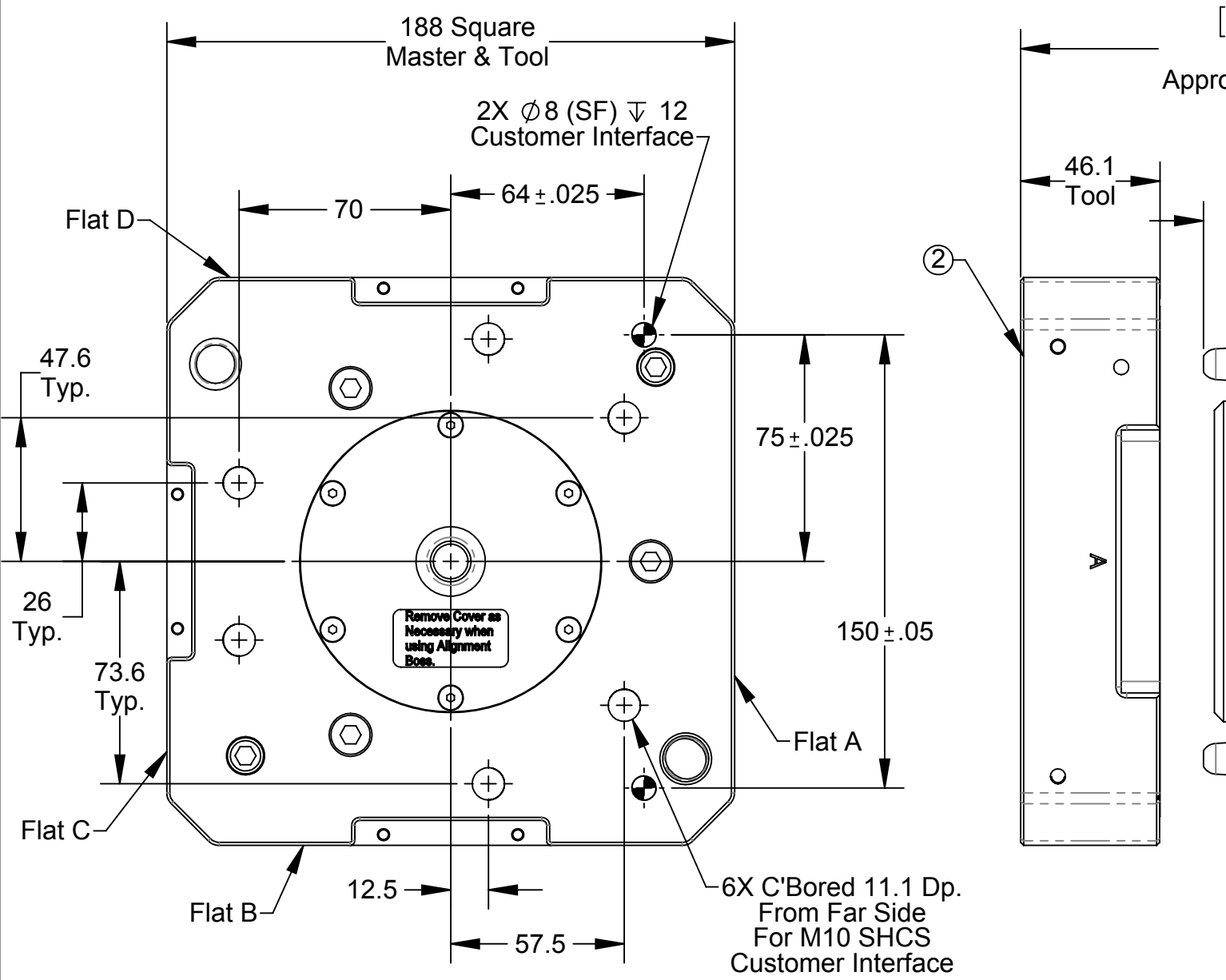
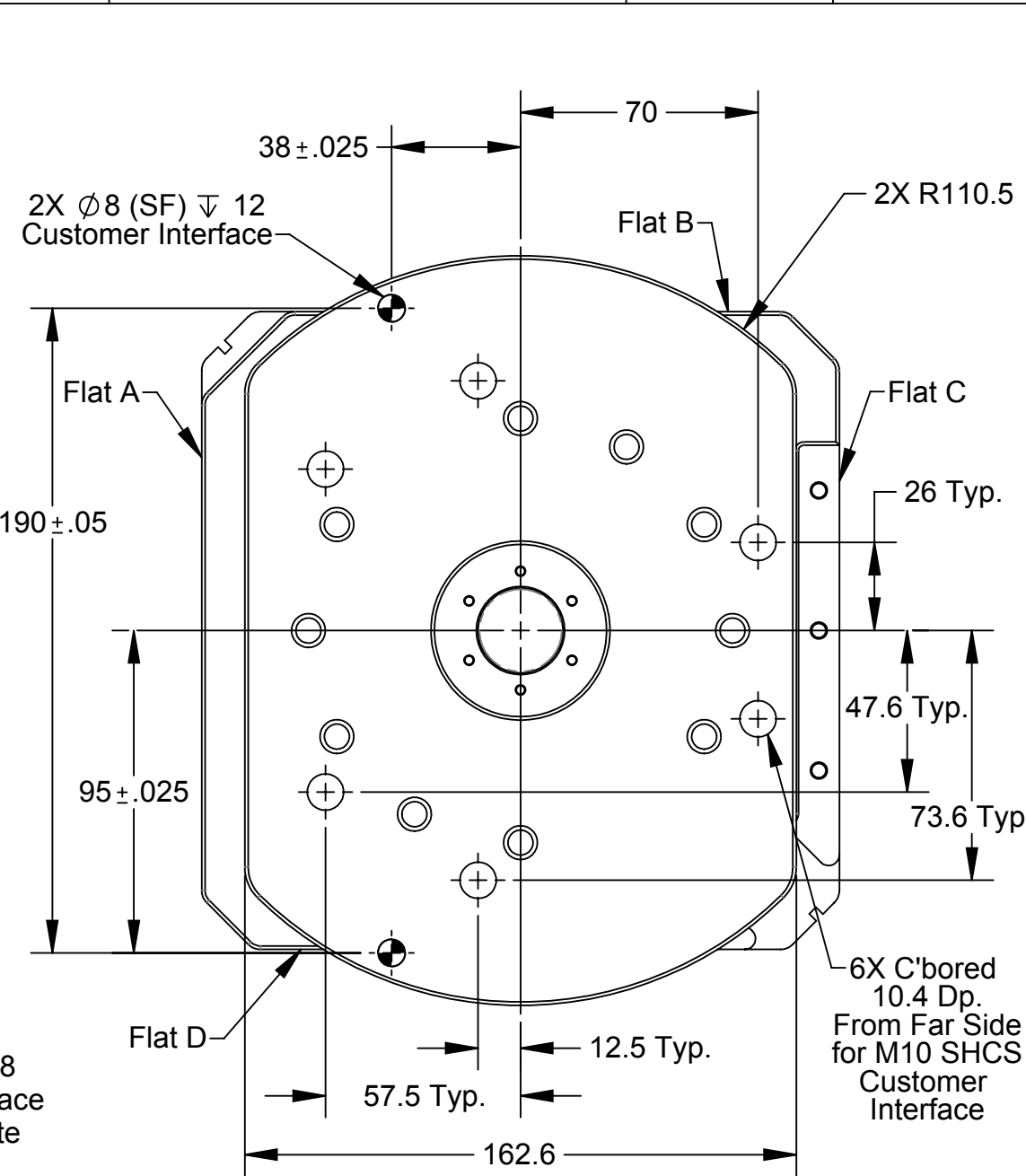
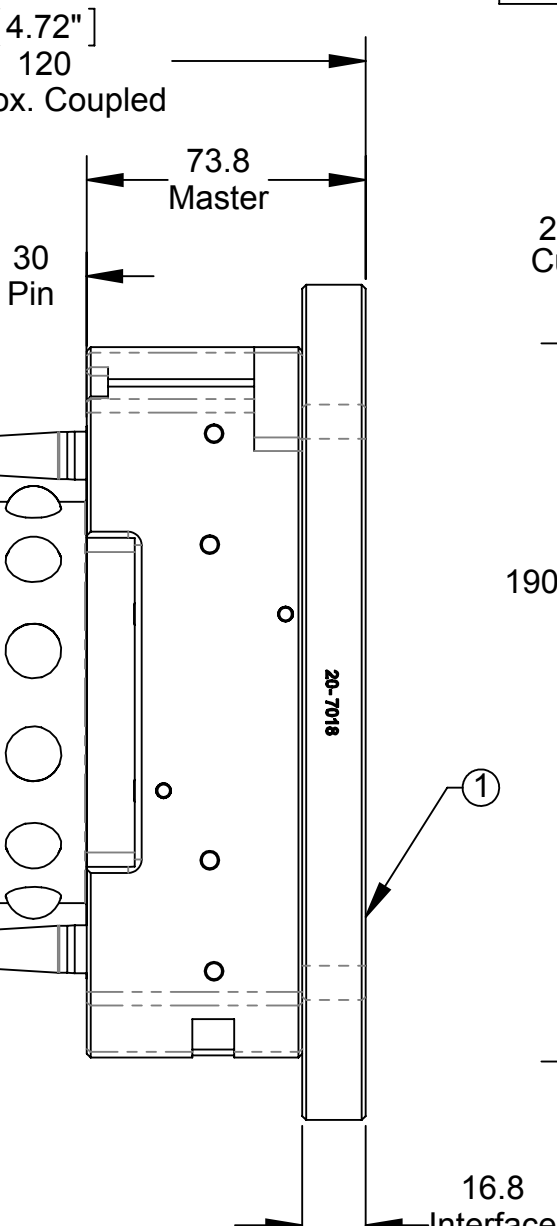


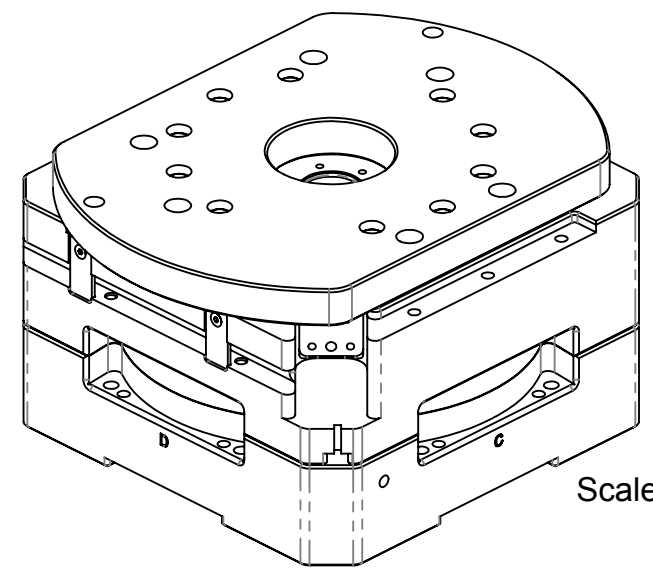
Rev.	Description	Initiator	Date
02	Eco 11974; Alignment pin was 9005-20-1200, now 9005-20-2241	LJH	4/15/2014



**Tool Side
(Projection Only)**



**Master Side
(Projection Only)**



Scale 1:3

ITEM NO.	Default/QTY.	PART NUMBER	DESCRIPTION
1	1	9121-213AMX-0-0-0-0	QC-213 Master Base Assembly (Sleeveless), No Options
2	1	9121-213CT-0-0-0-0	QC-213 Base Tool Assembly, No Options

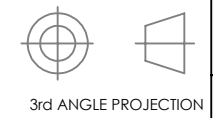
NOTES: UNLESS OTHERWISE SPECIFIED.
DO NOT SCALE DRAWING. ALL DIMENSIONS ARE IN MILLIMETERS.



1031 Goodworth Drive, Apex, NC 27539, USA
Tel: +1.919.772.0115 Email: info@ati-ia.com
Fax: +1.919.772.8259 www.ati-ia.com
ISO 9001 Registered Company

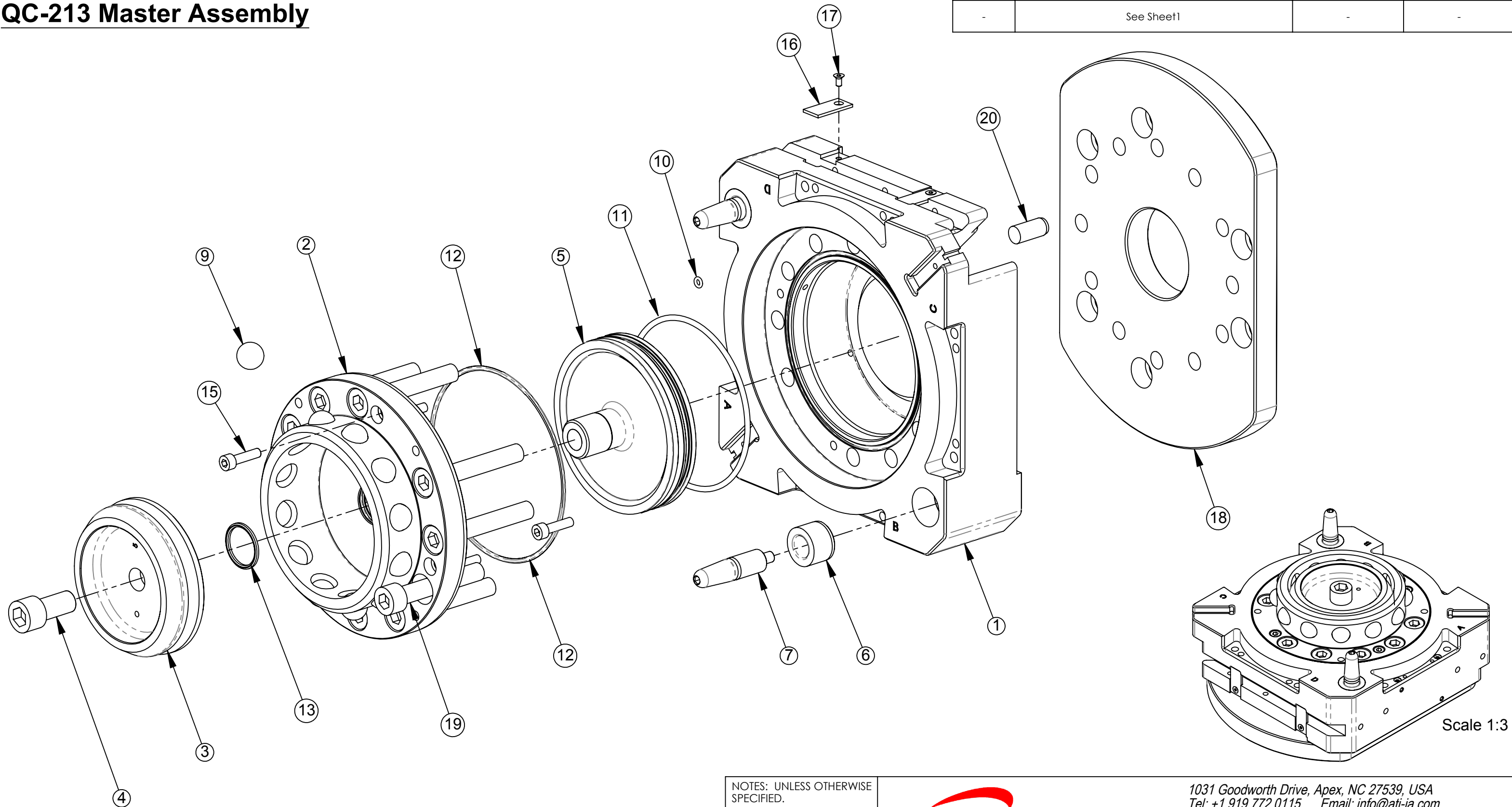
PROPERTY OF ATI INDUSTRIAL AUTOMATION, INC. NOT TO BE REPRODUCED IN ANY MANNER EXCEPT ON ORDER OR WITH PRIOR WRITTEN AUTHORIZATION OF ATI.

DRAWN BY: K. Zachary 10/07/11		TITLE	
CHECKED BY: D. Norton 10/26/11		QC-213 Base Tool Changer	
SCALE	SIZE	DRAWING NUMBER	REVISION
1:2	B	9630-20-213	02
PROJECT # 110505-2 SHEET 1 OF 3			



QC-213 Master Assembly

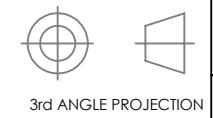
Rev.	Description	Initiator	Date
-	See Sheet1	-	-



Scale 1:3

NOTES: UNLESS OTHERWISE SPECIFIED.

DO NOT SCALE DRAWING. ALL DIMENSIONS ARE IN MILLIMETERS.



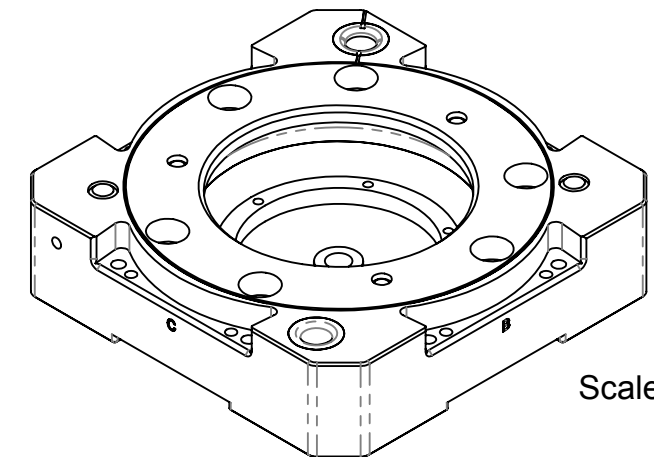
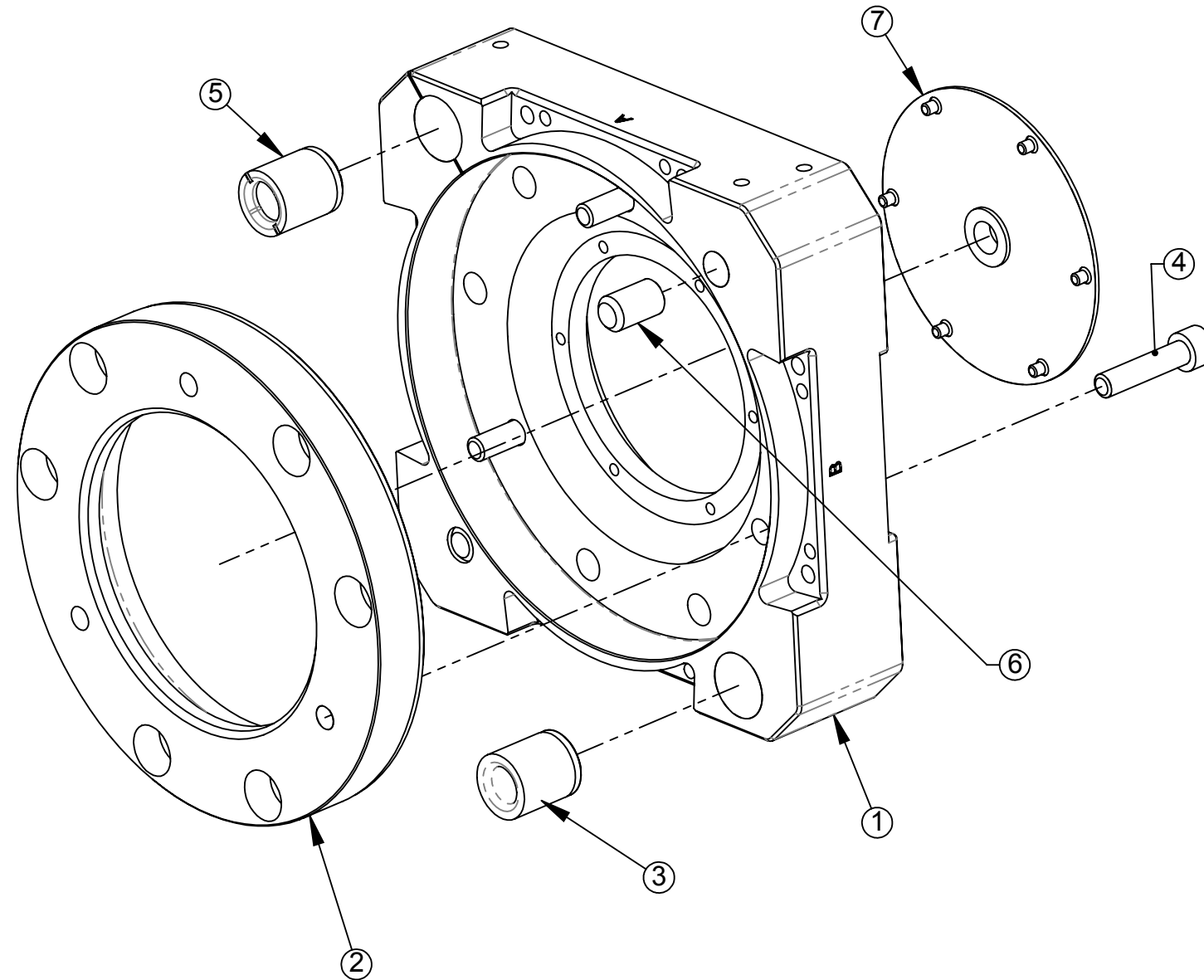
1031 Goodworth Drive, Apex, NC 27539, USA
 Tel: +1.919.772.0115 Email: info@ati-ia.com
 Fax: +1.919.772.8259 www.ati-ia.com
 ISO 9001 Registered Company

PROPERTY OF ATI INDUSTRIAL AUTOMATION, INC. NOT TO BE REPRODUCED IN ANY MANNER EXCEPT ON ORDER OR WITH PRIOR WRITTEN AUTHORIZATION OF ATI.

DRAWN BY: K. Zachary 10/07/11		TITLE	
CHECKED BY: D. Norton 10/26/11		QC-213 Base Tool Changer	
PROJECT # 110505-2	SHEET 2 OF 3	SCALE 1:2	SIZE B
		DRAWING NUMBER 9630-20-213	REVISION 02

QC-213 Tool Assembly

Rev.	Description	Initiator	Date
-	See Sheet1	-	-



Scale 1:3

NOTES: UNLESS OTHERWISE SPECIFIED.

DO NOT SCALE DRAWING. ALL DIMENSIONS ARE IN MILLIMETERS.



3rd ANGLE PROJECTION



1031 Goodworth Drive, Apex, NC 27539, USA
 Tel: +1.919.772.0115 Email: info@ati-ia.com
 Fax: +1.919.772.8259 www.ati-ia.com
 ISO 9001 Registered Company

PROPERTY OF ATI INDUSTRIAL AUTOMATION, INC. NOT TO BE REPRODUCED IN ANY MANNER EXCEPT ON ORDER OR WITH PRIOR WRITTEN AUTHORIZATION OF ATI.

DRAWN BY: K. Zachary 10/07/11		TITLE	
CHECKED BY: D. Norton 10/26/11		QC-213 Base Tool Changer	
SCALE	SIZE	DRAWING NUMBER	REVISION
1:2	B	9630-20-213	02
PROJECT # 110505-2 SHEET 3 OF 3			