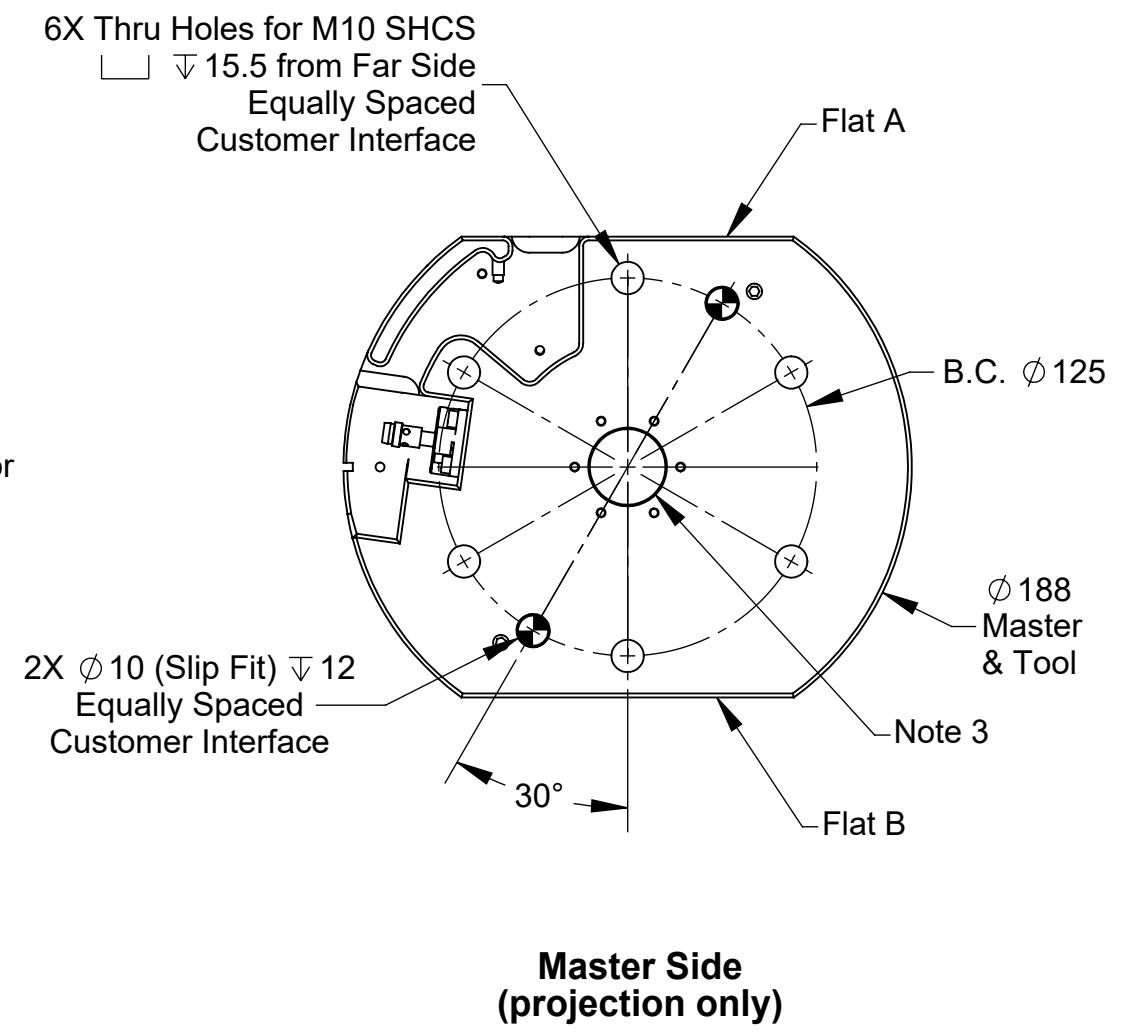
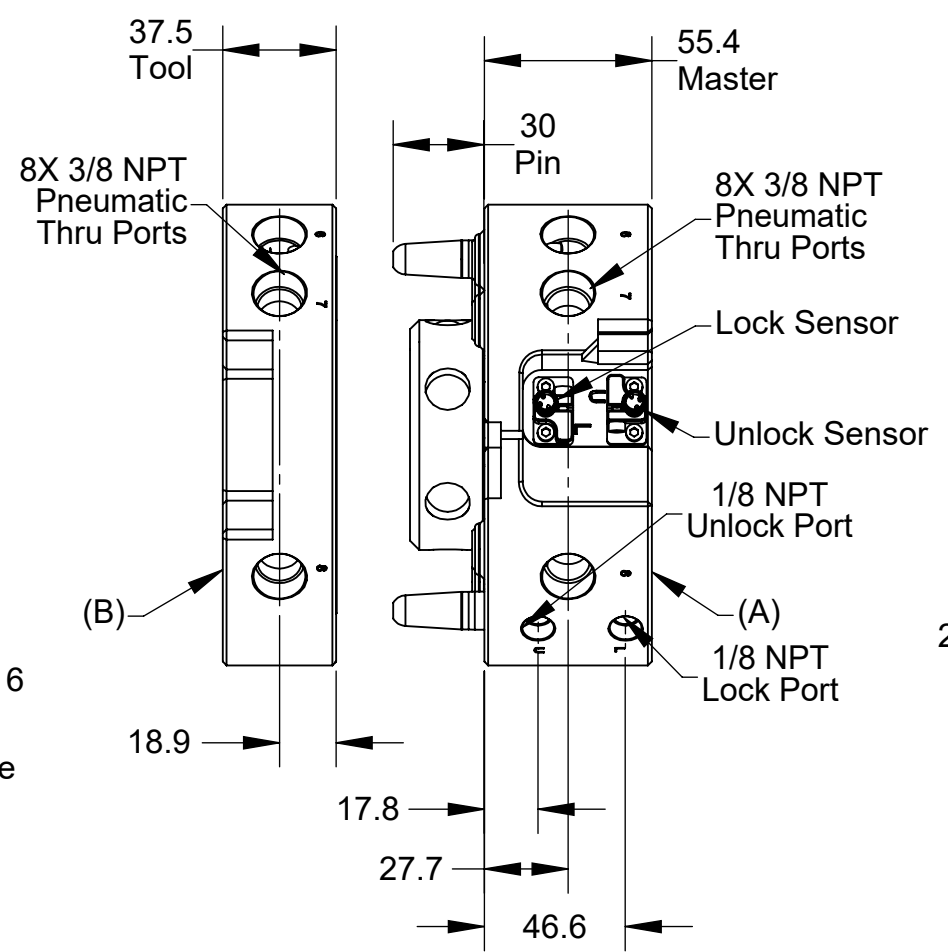
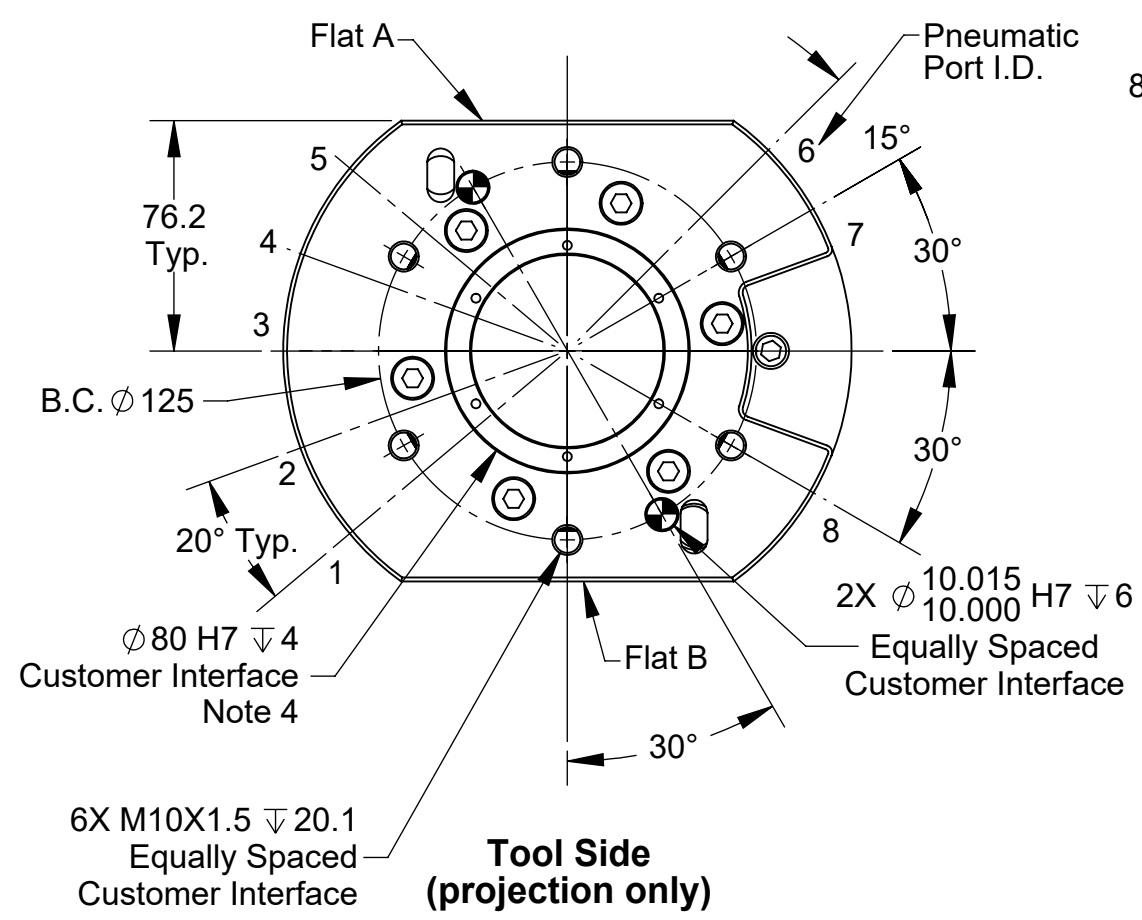
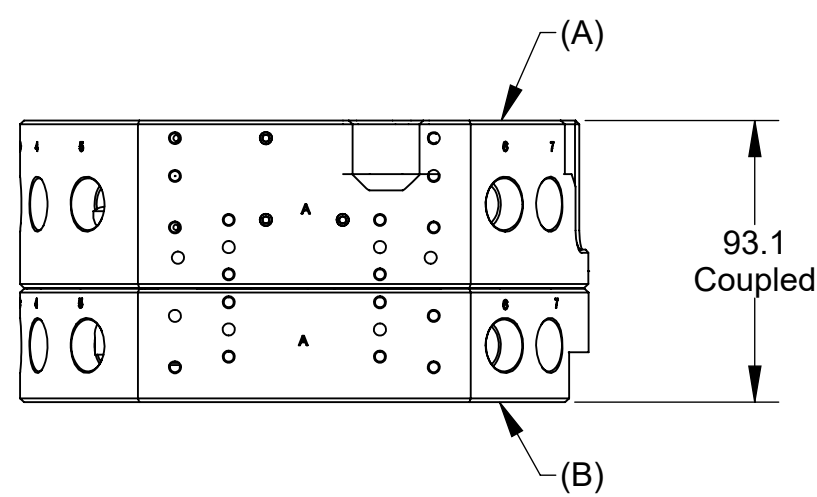


Rev.	Description	Initiator	Date
04	ECO 20228: Sheet 1: Front View: Updated 30.2 Pin to 30 Pin. Sheet 3: 9120-110FT-000-000: Updated views for visual change from 3700-20-1386 to 3700-20-11660.	TBC	9/27/2021

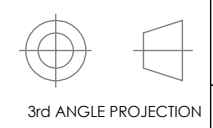


Part Numbers Shown:
 (A) Master: 9120-110AM-000-000-Sx
 (B) Tool: 9120-110FT-000-000

- Notes:
- The -Sx in the Master part number indicates the Lock/Unlock sensor option. Multiple sensor options are available.
 - Ready to Lock sensing is available.
 - Center boss inserts available for several sizes.
 - Center recess inserts available for several sizes.

NOTES: UNLESS OTHERWISE SPECIFIED.

DO NOT SCALE DRAWING. ALL DIMENSIONS ARE IN MILLIMETERS.

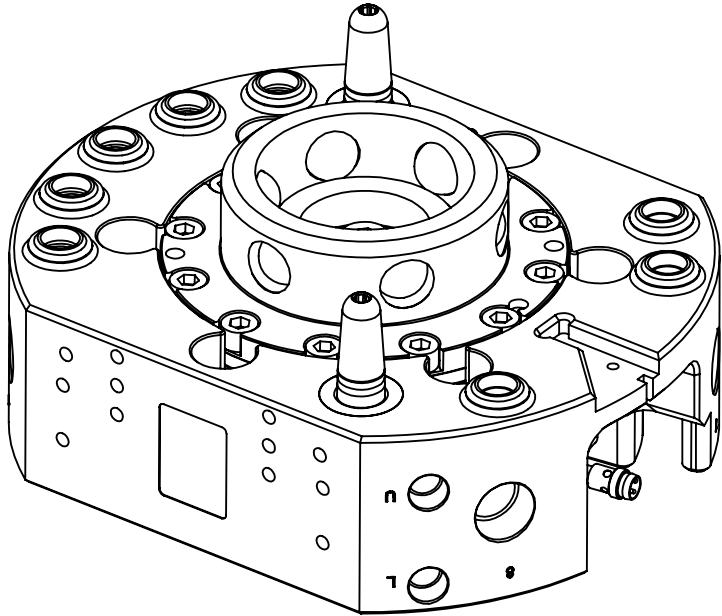
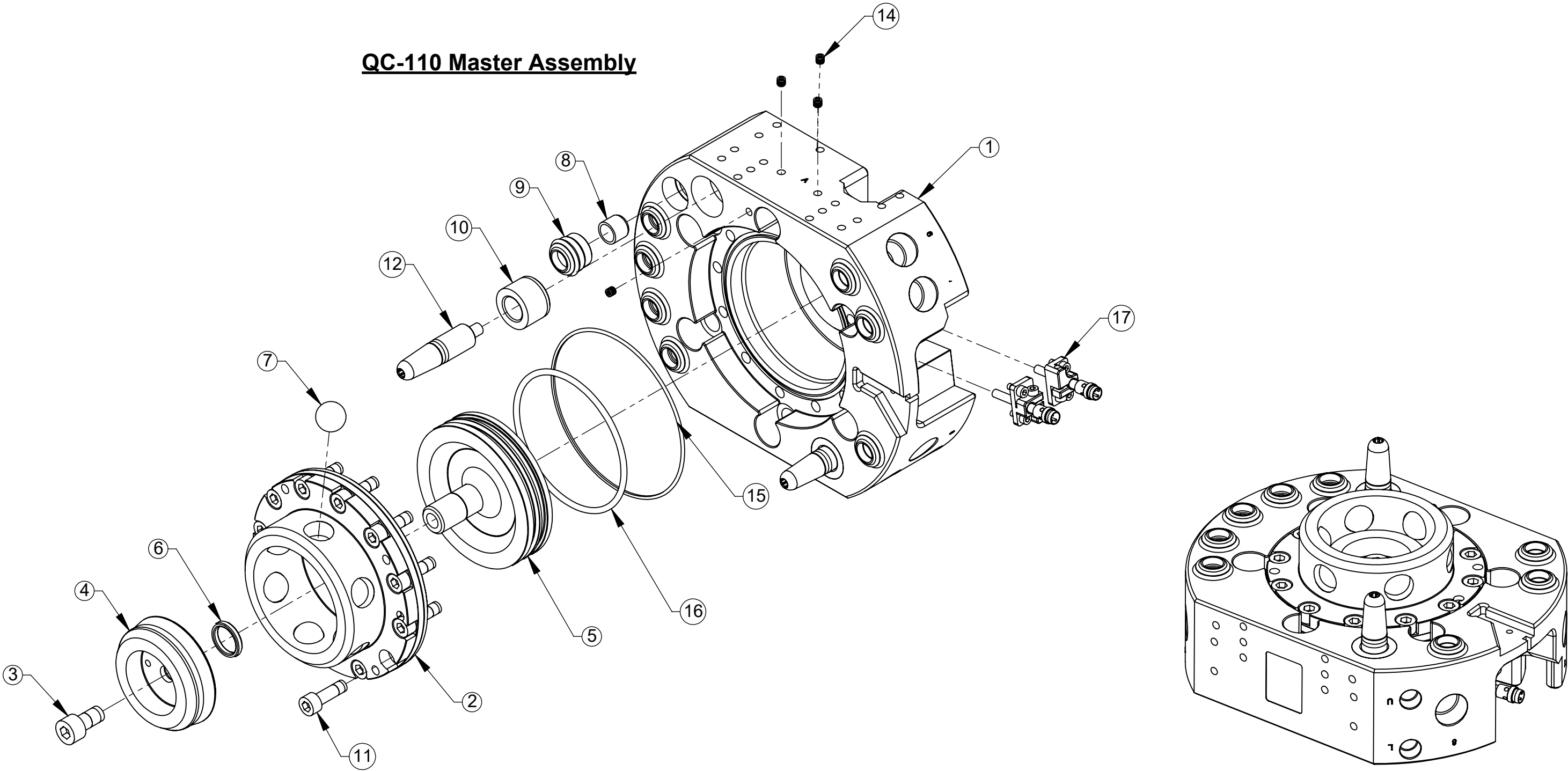


1031 Goodworth Drive, Apex, NC 27539, USA
 Tel: +1.919.772.0115 www.ati-ia.com
 Fax: +1.919.772.8259 ISO 9001 Registered Company

PROPERTY OF ATI INDUSTRIAL AUTOMATION, INC. NOT TO BE REPRODUCED IN ANY MANNER EXCEPT ON ORDER OR WITH PRIOR WRITTEN AUTHORIZATION OF ATI.

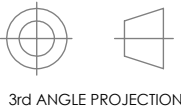
DRAWN BY: D. Swanson 5/13/09		TITLE	
CHECKED BY: D. Wagner 5/21/09		QC-110 Tool Changer	
PROJECT #	SHEET 1 OF 3	SCALE	REVISION
		1:2.5	04
		SIZE	DRAWING NUMBER
		B	9630-20-110

QC-110 Master Assembly



NOTES: UNLESS OTHERWISE SPECIFIED.

DO NOT SCALE DRAWING. ALL DIMENSIONS ARE IN MILLIMETERS.



1031 Goodworth Drive, Apex, NC 27539, USA
 Tel: +1.919.772.0115 www.ati-ia.com
 Fax: +1.919.772.8259 ISO 9001 Registered Company

PROPERTY OF ATI INDUSTRIAL AUTOMATION, INC. NOT TO BE REPRODUCED IN ANY MANNER EXCEPT ON ORDER OR WITH PRIOR WRITTEN AUTHORIZATION OF ATI.

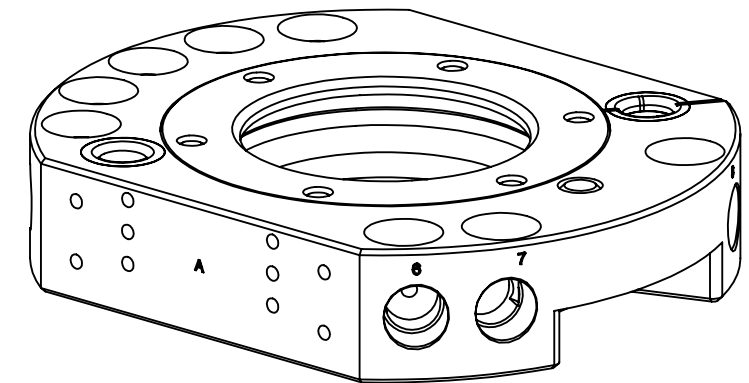
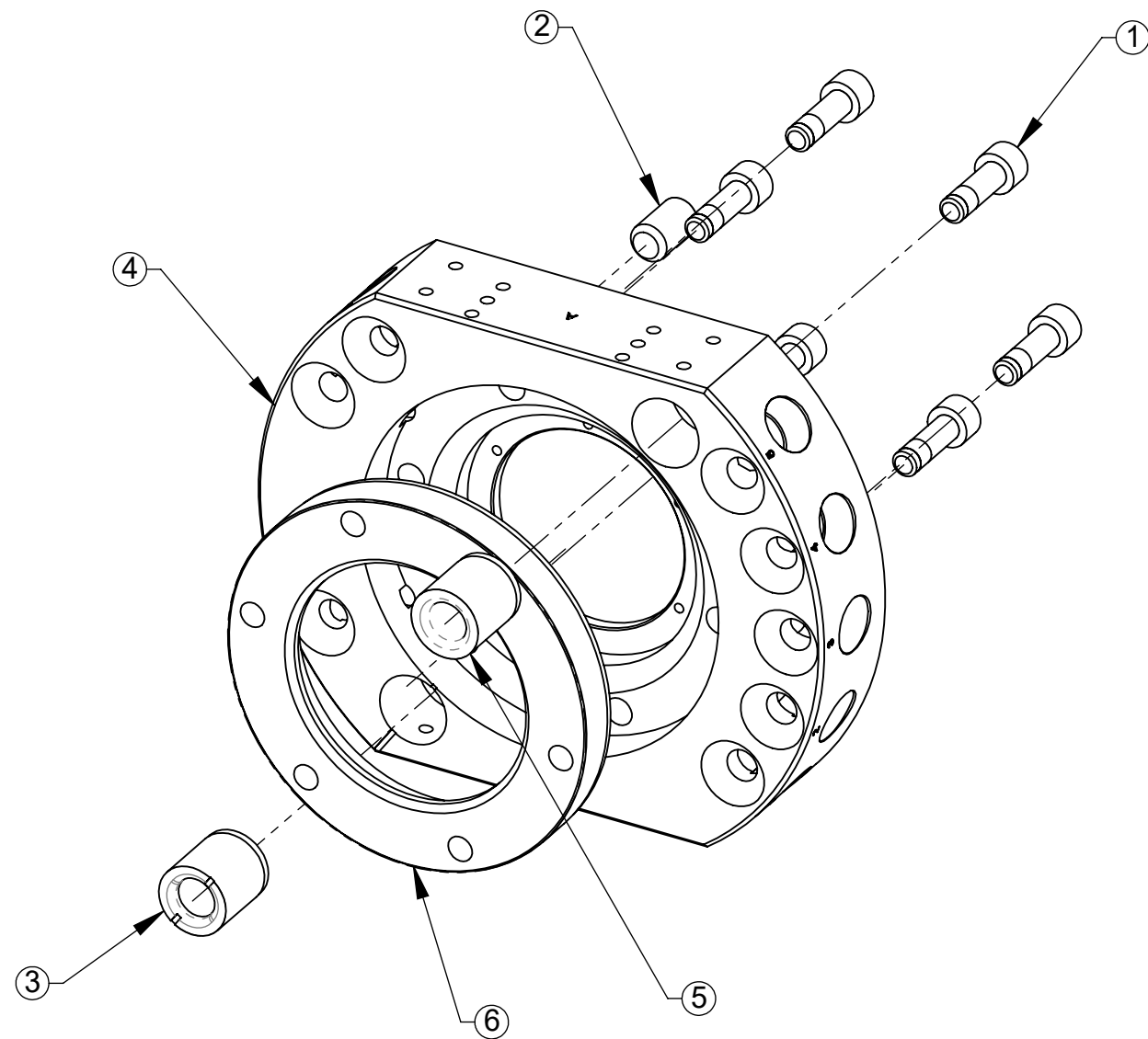
DRAWN BY: D. Swanson 5/13/09

CHECKED BY: D. Wagner 5/21/09

TITLE
QC-110 Tool Changer

PROJECT #	SHEET 2 OF 3	SCALE 1:2	SIZE B	DRAWING NUMBER 9630-20-110	REVISION 04
-----------	--------------	--------------	-----------	-------------------------------	----------------

QC-110 Tool Assembly



NOTES: UNLESS OTHERWISE SPECIFIED.

DO NOT SCALE DRAWING. ALL DIMENSIONS ARE IN MILLIMETERS.



3rd ANGLE PROJECTION



1031 Goodworth Drive, Apex, NC 27539, USA
 Tel: +1.919.772.0115 www.ati-ia.com
 Fax: +1.919.772.8259 ISO 9001 Registered Company

PROPERTY OF ATI INDUSTRIAL AUTOMATION, INC. NOT TO BE REPRODUCED IN ANY MANNER EXCEPT ON ORDER OR WITH PRIOR WRITTEN AUTHORIZATION OF ATI.

DRAWN BY: D. Swanson 5/13/09		TITLE		
CHECKED BY: D. Wagner 5/21/09		QC-110 Tool Changer		
PROJECT #	SHEET 3 OF 3	SCALE	SIZE	DRAWING NUMBER
		1:2	B	9630-20-110
				REVISION
				04