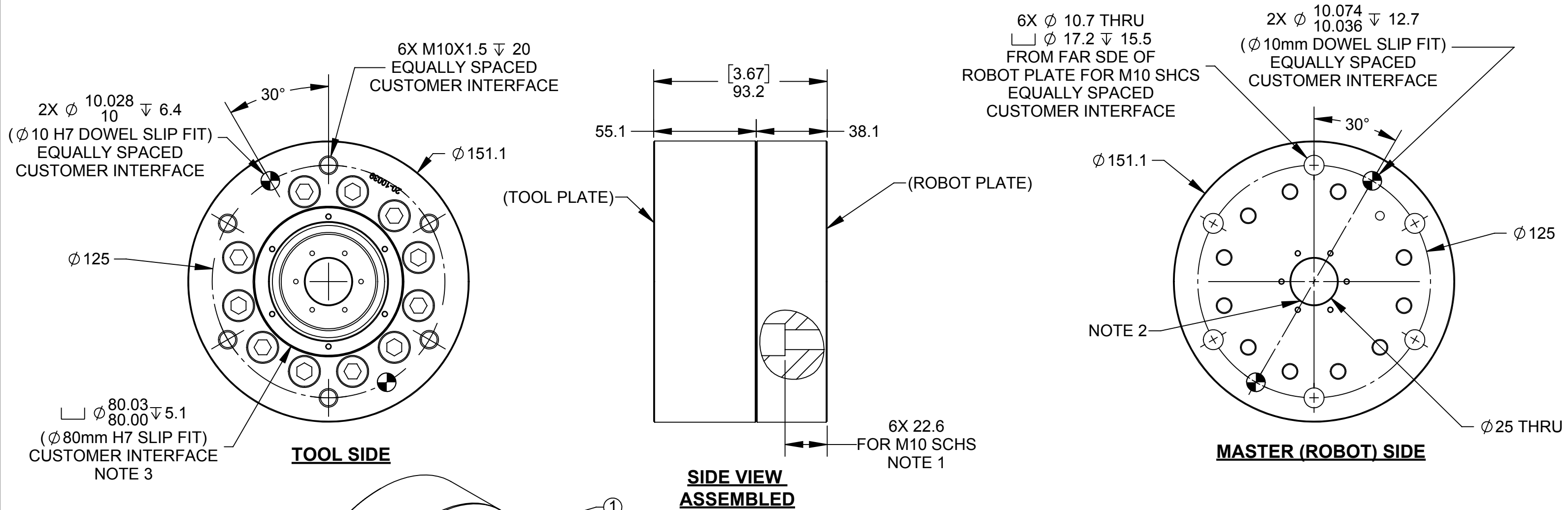


Rev.	Description	Initiator	Date
01	INITIAL DRAWING	TB	9/16/2016



- Notes:**
1. ROBOT AND TOOL MOUNTING FASTENERS NOT INCLUDED. OPTIONAL ROBOT FASTENER KITS AVAILALBE.
 2. OPTIONAL MASTER SIDE MOUNTING BOSSES AVAILABLE.
 3. OPTIONAL TOOL RECESS INSERTS AVAILABLE

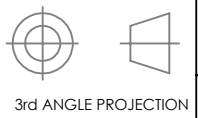
ITEM NO.	QTY	PART NUMBER	DESCRIPTION
1	1	9120-110-A-10038	QC-110 Spacer, Two Piece Bolted Type, No Boss

NOTES: UNLESS OTHERWISE SPECIFIED.
DO NOT SCALE DRAWING. ALL DIMENSIONS ARE IN MILLIMETERS.



1031 Goodworth Drive, Apex, NC 27539, USA
Tel: +1.919.772.0115 Email: info@ati-ia.com
Fax: +1.919.772.8259 www.ati-ia.com
ISO 9001 Registered Company

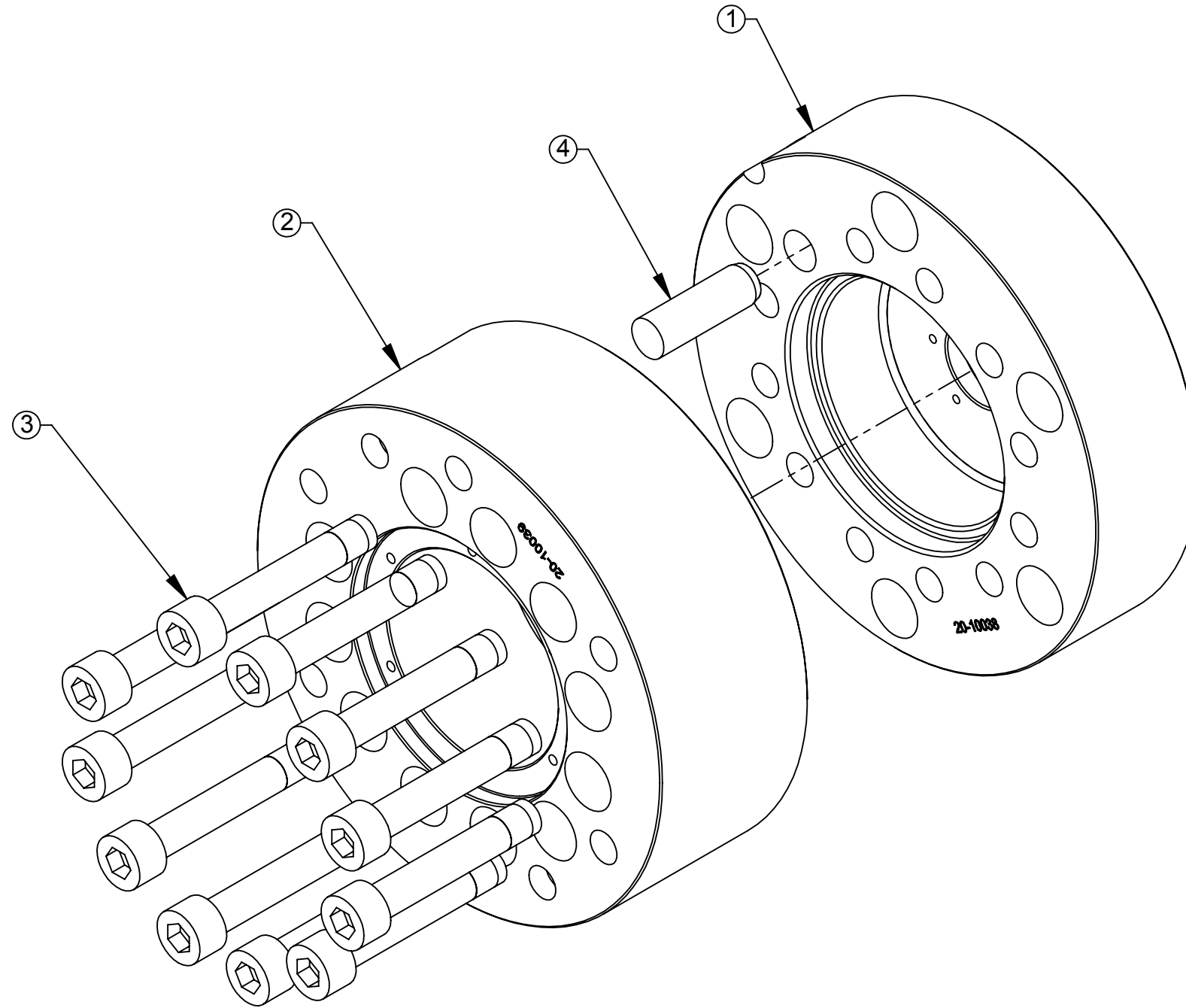
PROPERTY OF ATI INDUSTRIAL AUTOMATION, INC. NOT TO BE REPRODUCED IN ANY MANNER EXCEPT ON ORDER OR WITH PRIOR WRITTEN AUTHORIZATION OF ATI.



DRAWN BY: T. BURNS 06/16/16		TITLE	
CHECKED BY: BVK 9/19/16		QC-110 SPACER DRAWING, TWO PIECE BOLTED TYPE, NO BOSS	
PROJECT # 160812-1	SHEET 1 OF 2	SCALE 1:2	REVISION 01
		SIZE B	DRAWING NUMBER 9630-20-110-A-10038

Rev.	Description	Initiator	Date
-	SEE SHEET1	-	-

QC-110 SPACER EXPLODED VIEW



NOTES: UNLESS OTHERWISE SPECIFIED.

DO NOT SCALE DRAWING. ALL DIMENSIONS ARE IN MILLIMETERS.



3rd ANGLE PROJECTION



1031 Goodworth Drive, Apex, NC 27539, USA
 Tel: +1.919.772.0115 Email: info@ati-ia.com
 Fax: +1.919.772.8259 www.ati-ia.com
 ISO 9001 Registered Company

PROPERTY OF ATI INDUSTRIAL AUTOMATION, INC. NOT TO BE REPRODUCED IN ANY MANNER EXCEPT ON ORDER OR WITH PRIOR WRITTEN AUTHORIZATION OF ATI.

DRAWN BY: T. BURNS 06/16/16		TITLE	
CHECKED BY: BVK 9/19/16		QC-110 SPACER DRAWING, TWO PIECE BOLTED TYPE, NO BOSS	
PROJECT # 160812-1	SHEET 2 OF 2	SCALE 1:2	SIZE B
DRAWING NUMBER 9630-20-110-A-10038		REVISION 01	