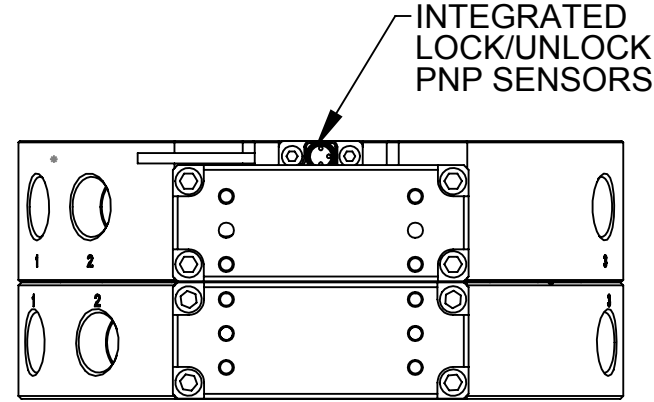
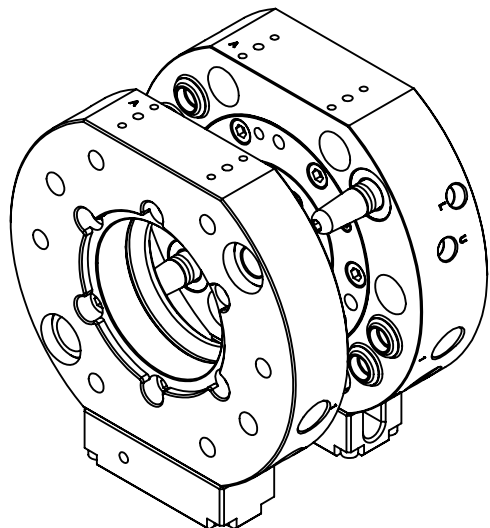
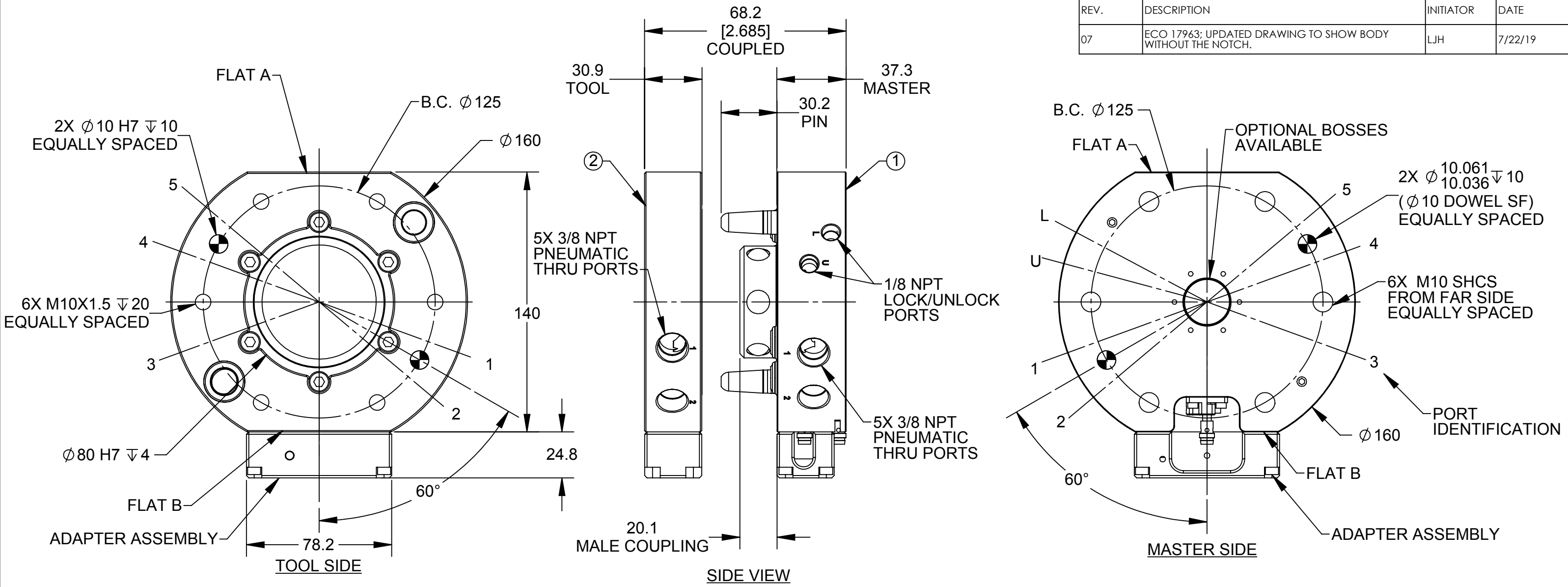


| REV. | DESCRIPTION | INITIATOR | DATE |
|------|--|-----------|---------|
| 07 | ECO 17963; UPDATED DRAWING TO SHOW BODY WITHOUT THE NOTCH. | LJH | 7/22/19 |



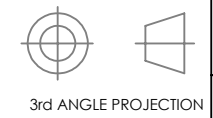
NOTES: UNLESS OTHERWISE SPECIFIED.
DO NOT SCALE DRAWING. ALL DIMENSIONS ARE IN MILLIMETERS.



1031 Goodworth Drive, Apex, NC 27539, USA
Tel: +1.919.772.0115 Email: info@ati-ia.com
Fax: +1.919.772.8259 www.ati-ia.com
ISO 9001 Registered Company

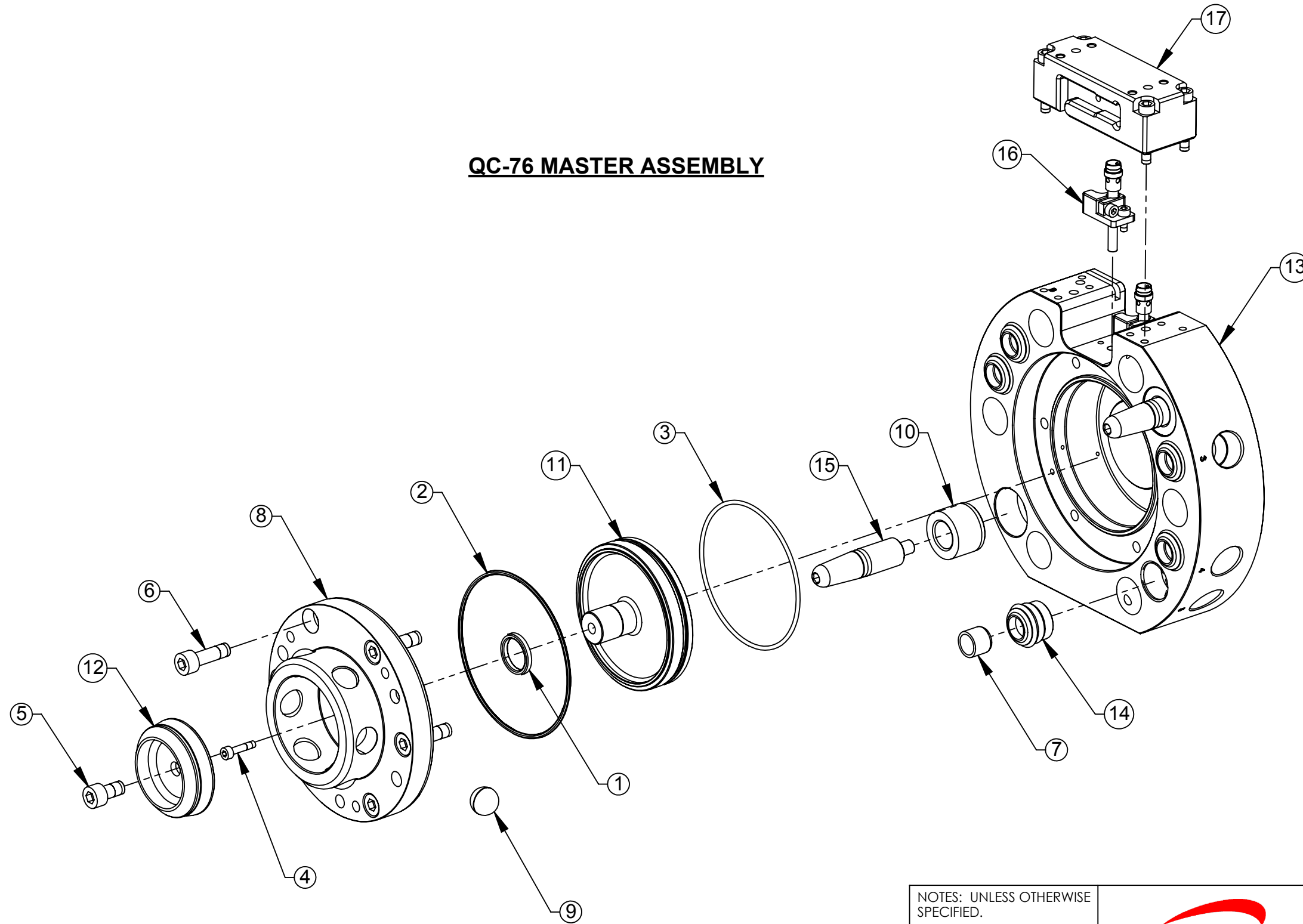
PROPERTY OF ATI INDUSTRIAL AUTOMATION, INC. NOT TO BE REPRODUCED IN ANY MANNER EXCEPT ON ORDER OR WITH PRIOR WRITTEN AUTHORIZATION OF ATI.

| ITEM NO. | QTY | PART NUMBER | DESCRIPTION |
|----------|-----|-----------------------|--|
| 1 | 1 | 9120-076AM-000-000-SG | QC-76 MASTER ASSEMBLY WITH PNP SENSORS |
| 2 | 1 | 9120-076FT-000-000 | QC-76 TOOL ASSEMBLY |



| | | | |
|-------------------------------|--------------|-------------------------|----------------------------|
| DRAWN BY: B. Digeso, 8/29/08 | | TITLE | |
| CHECKED BY: D. Wagner 9/12/11 | | QC-76 Base Tool Changer | |
| PROJECT # 080730-3 | SHEET 1 OF 3 | SCALE 1:5 | REVISION 07 |
| | | SIZE B | DRAWING NUMBER 9630-20-076 |

QC-76 MASTER ASSEMBLY



NOTES: UNLESS OTHERWISE SPECIFIED.

DO NOT SCALE DRAWING. ALL DIMENSIONS ARE IN MILLIMETERS.



3rd ANGLE PROJECTION

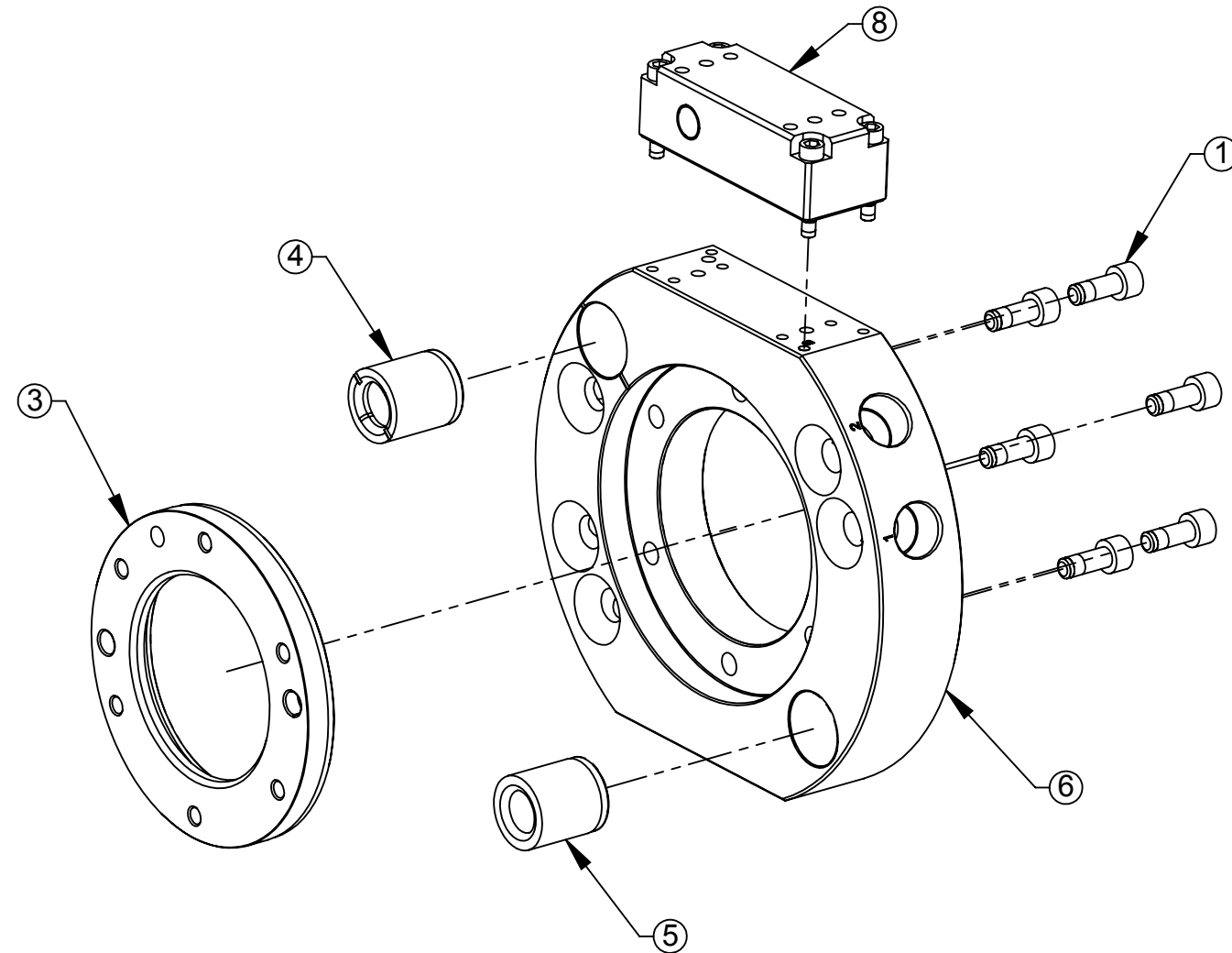


1031 Goodworth Drive, Apex, NC 27539, USA
 Tel: +1.919.772.0115 Email: info@ati-ia.com
 Fax: +1.919.772.8259 www.ati-ia.com
 ISO 9001 Registered Company

PROPERTY OF ATI INDUSTRIAL AUTOMATION, INC. NOT TO BE REPRODUCED IN ANY MANNER EXCEPT ON ORDER OR WITH PRIOR WRITTEN AUTHORIZATION OF ATI.

| | | | | |
|------------------------------|--------------|-------------------------|--------|----------------------------|
| DRAWN BY: B. Digeso, 8/29/08 | | TITLE | | |
| CHECKED BY: D.Wagner 9/12/11 | | QC-76 Base Tool Changer | | |
| PROJECT # 080730-3 | SHEET 2 OF 3 | SCALE 1:2 | SIZE B | DRAWING NUMBER 9630-20-076 |
| | | | | REVISION 07 |

QC-76 TOOL ASSEMBLY



NOTES: UNLESS OTHERWISE SPECIFIED.

DO NOT SCALE DRAWING. ALL DIMENSIONS ARE IN MILLIMETERS.



3rd ANGLE PROJECTION



1031 Goodworth Drive, Apex, NC 27539, USA
 Tel: +1.919.772.0115 Email: info@ati-ia.com
 Fax: +1.919.772.8259 www.ati-ia.com
 ISO 9001 Registered Company

PROPERTY OF ATI INDUSTRIAL AUTOMATION, INC. NOT TO BE REPRODUCED IN ANY MANNER EXCEPT ON ORDER OR WITH PRIOR WRITTEN AUTHORIZATION OF ATI.

| | | | | |
|------------------------------|----------|-------------------------|---|----------------|
| DRAWN BY: B. Digeso, 8/29/08 | | TITLE | | |
| CHECKED BY: D.Wagner 9/12/11 | | QC-76 Base Tool Changer | | |
| PROJECT # | 080730-3 | SHEET | 3 | OF 3 |
| SCALE | 1:2 | SIZE | B | DRAWING NUMBER |
| | | | | 9630-20-076 |
| | | | | REVISION |
| | | | | 07 |