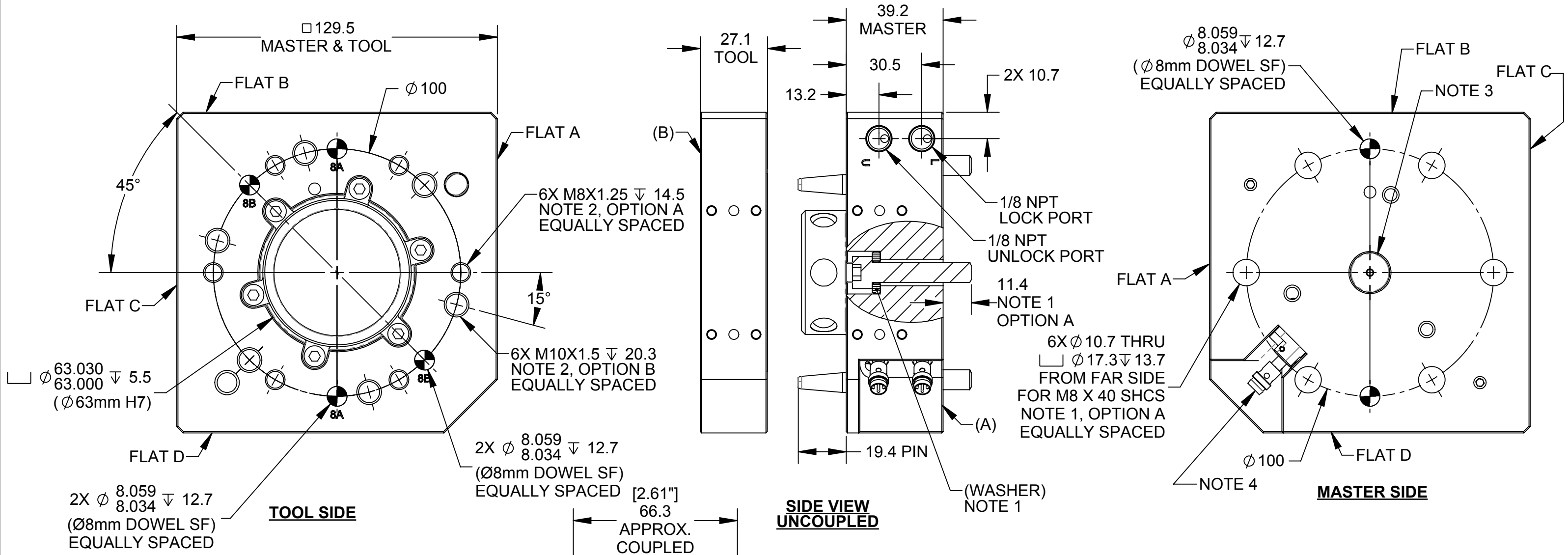


PART NUMBERS:
 (A) MASTER: 9120-046AM-0-0-000-0-SX
 (B) TOOL: 9120-046JT-0-0-000-0

Rev.	Description	Initiator	Date
05	ECO 19172: SHEET 1, SHEET 2: REMOVED "CUSTOMER INTERFACE" NOTATION, UPDATED NOTE 4, ADDED NOTE 6, REMOVED BOM. SHEET 3, SHEET 4: UPDATED DRAWING LABEL.	LJH	7/7/2020



- NOTES:
- MASTER MOUNTING OPTIONS: (NO HARDWARE IS INCLUDED WITH MASTER ASSEMBLY BUT OPTIONAL FASTENER KITS ARE AVAILABLE)
 OPTION A: (FASTENER KIT PN: 9120-046M-FK-114A15A)
 6X M8 SHCS AS SHOWN ON SHEET 1. HARDWARE REQUIRES PRECISION WASHERS FOR USE WITH M8 SHCS.
 OPTION B: (FASTENER KIT PN: 9120-046M-FK-146B15A)
 6X M10 SHCS AS SHOWN ON SHEET 2.
 - TOOL MOUNTING OPTIONS: (NO HARDWARE INCLUDED)
 OPTION A: 6X M8 SCREWS (LENGTH DETERMINED BY CUSTOMER)
 OPTION B: 6X M10 SCREWS (LENGTH DETERMINED BY CUSTOMER)
 OPTION C: 6X M6 X 30 SHCS AS SHOWN ON SHEET 2.
 - OPTIONAL MASTER SIDE MOUNTING BOSSES AVAILABLE.
 - SX IN MASTER PART NUMBER DENOTES SENSOR OPTIONS ARE AVAILABLE.
 - FOUR (4) FLATS AVAILABLE FOR OPTIONAL UTILITY MODULES. FLAT C OFFERS DUAL J16 MODULE MOUNTING OR SINGLE J16 CENTERED. OPTIONAL DUAL J16 ADAPTERS AVAILABLE TO MOUNT ADDITIONAL UTILITY MODULES ON FLATS B AND D. ADAPTERS CANNOT BE USED ON FLAT A.
 - CONTACT ATI FOR FULL PART NUMBERS AND LIST OF OPTIONS.

NOTES: UNLESS OTHERWISE SPECIFIED.
 DO NOT SCALE DRAWING. ALL DIMENSIONS ARE IN MILLIMETERS.

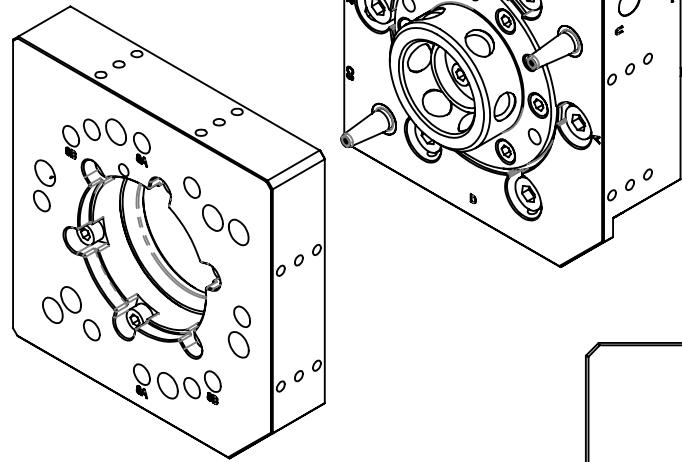


1031 Goodworth Drive, Apex, NC 27539, USA
 Tel: +1.919.772.0115 Email: info@ati-ia.com
 Fax: +1.919.772.8259 www.ati-ia.com
 ISO 9001 Registered Company

PROPERTY OF ATI INDUSTRIAL AUTOMATION, INC. NOT TO BE REPRODUCED IN ANY MANNER EXCEPT ON ORDER OR WITH PRIOR WRITTEN AUTHORIZATION OF ATI.

DRAWN BY: K. ZACHARY 08/29/16		TITLE	
CHECKED BY: B. KENDRICK 09/06/16		QC-46 TOOL CHANGER DRAWING	
PROJECT # 160404-2	SHEET 1 OF 4	SCALE 2:3	SIZE B
DRAWING NUMBER 9630-20-046		REVISION 05	

ISO VIEW
SCALE 3:8



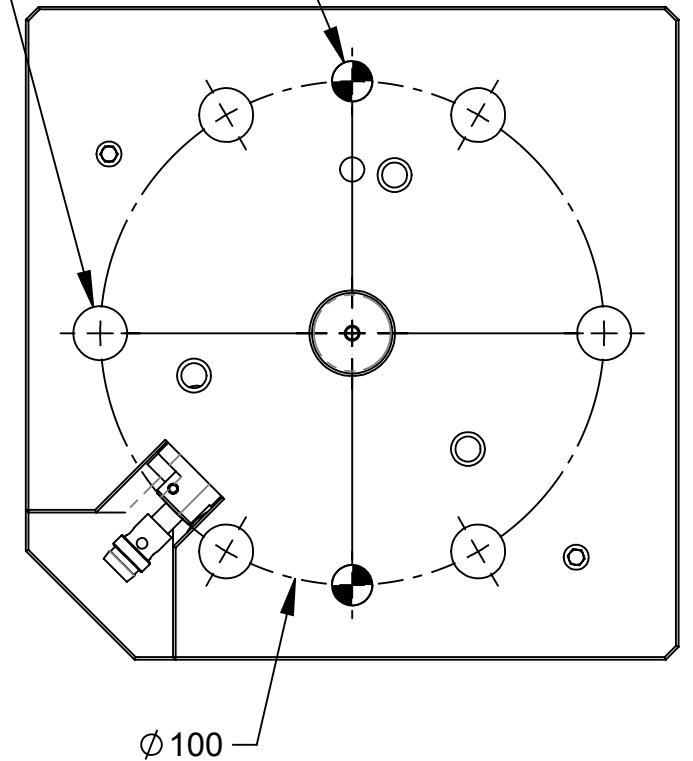
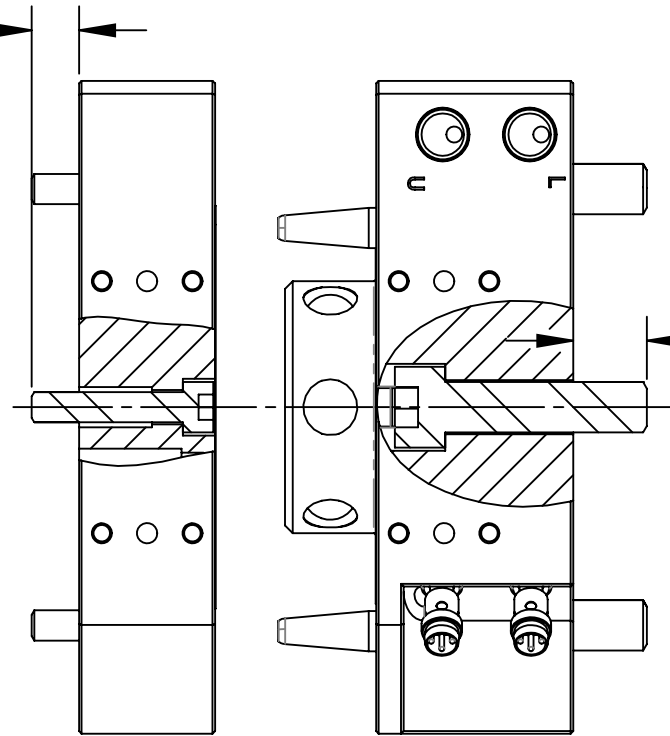
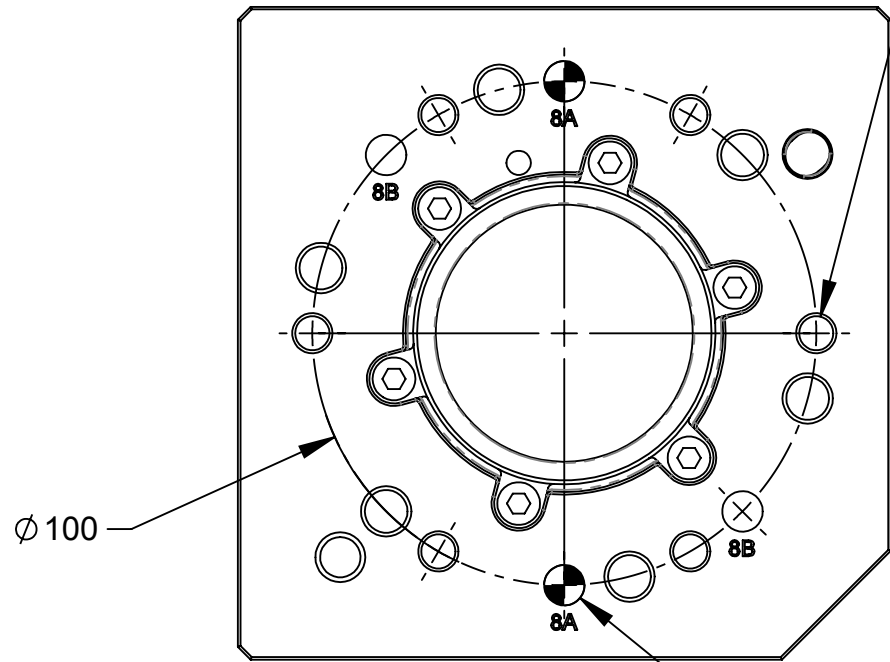
6X $\phi 6.8$ THRU
 $\square \phi 11.3 \nabla 6.4$
 FROM FAR SIDE
 FOR M6 X 30 SHCS
 NOTE 2, OPTION C
 EQUALLY SPACED

6X $\phi 10.7$ THRU
 $\square \phi 17.3 \nabla 13.7$
 FROM FAR SIDE
 FOR M10 X 40 SHCS
 NOTE 1, OPTION B
 EQUALLY SPACED

$\phi 8.059 \nabla 12.7$
 $\phi 8.034 \nabla 12.7$
 ($\phi 8$ mm DOWEL SF)
 EQUALLY SPACED

9.4
 NOTE 2
 OPTION C

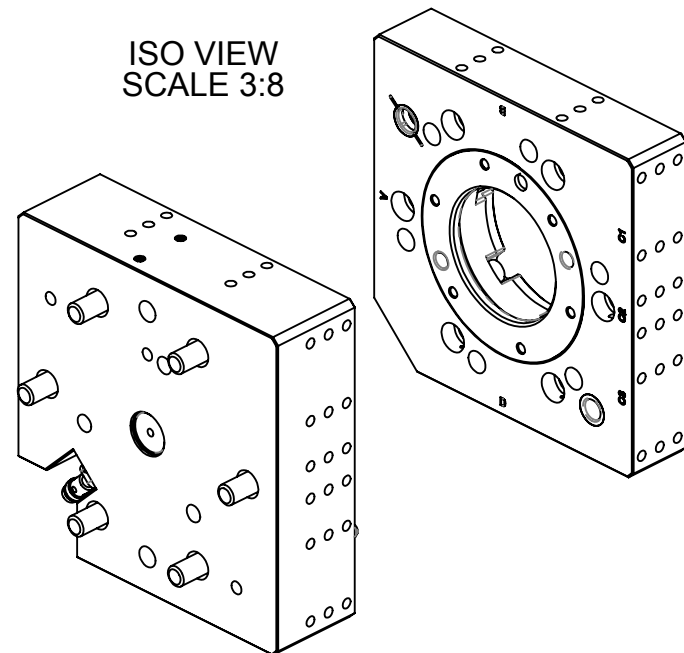
14.6
 NOTE 1
 OPTION B



2X $\phi 8.059 \nabla 12.7$
 $\phi 8.034 \nabla 12.7$
 ($\phi 8$ mm DOWEL SF)
 EQUALLY SPACED

SIDE VIEW
 UNCOUPLED
 ALTERNATE
 MOUNTING PATTERN

ISO VIEW
SCALE 3:8



NOTES: UNLESS OTHERWISE SPECIFIED.

DO NOT SCALE DRAWING.
 ALL DIMENSIONS ARE IN MILLIMETERS.



3rd ANGLE PROJECTION



1031 Goodworth Drive, Apex, NC 27539, USA
 Tel: +1.919.772.0115 Email: info@ati-ia.com
 Fax: +1.919.772.8259 www.ati-ia.com
 ISO 9001 Registered Company

PROPERTY OF ATI INDUSTRIAL AUTOMATION, INC. NOT TO BE REPRODUCED IN ANY MANNER EXCEPT ON ORDER OR WITH PRIOR WRITTEN AUTHORIZATION OF ATI.

DRAWN BY: K. ZACHARY 08/29/16

CHECKED BY: B. KENDRICK 09/06/16

PROJECT # 160404-2 SHEET 2 OF 4

TITLE

QC-46 TOOL CHANGER DRAWING

SCALE
2:3

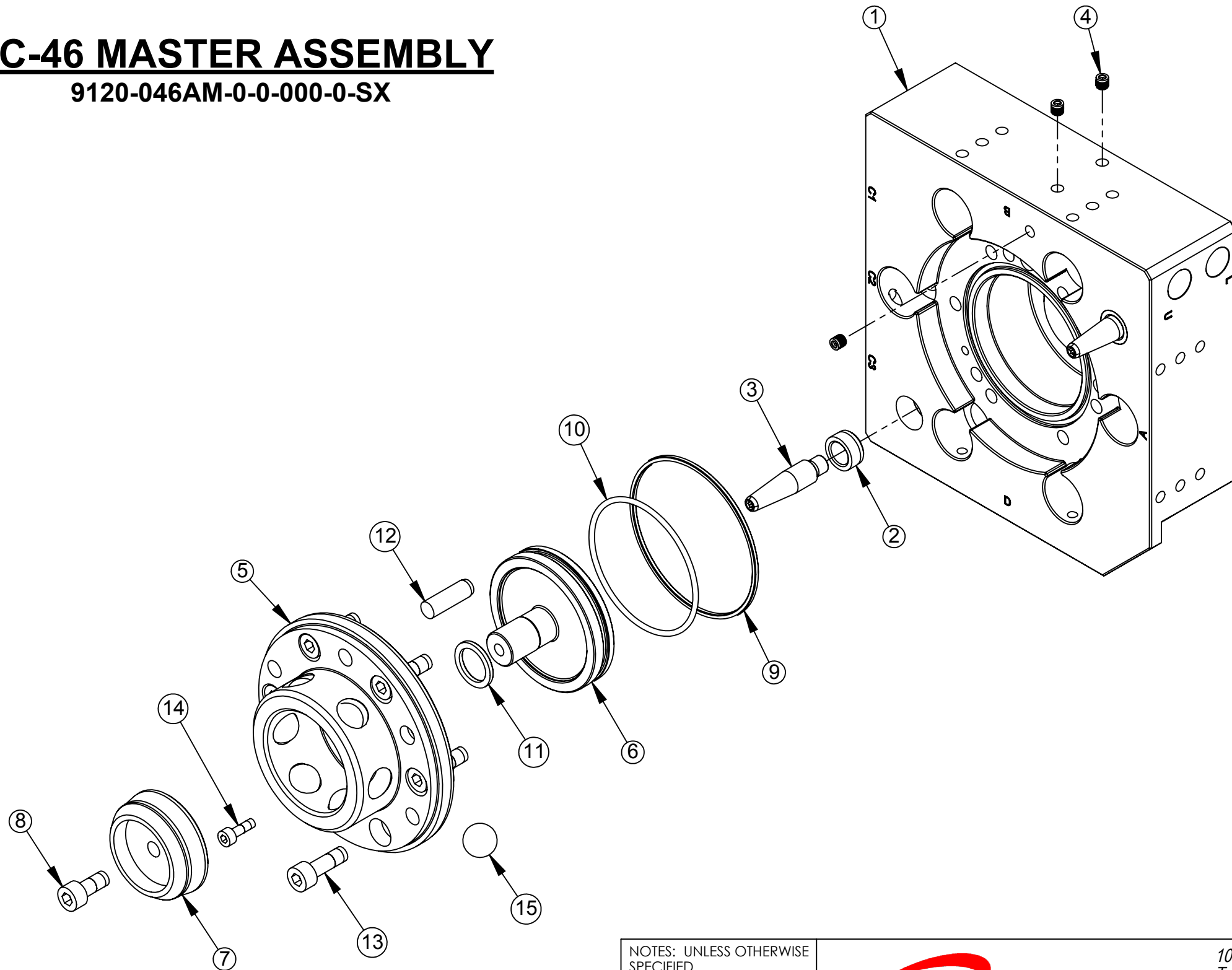
SIZE
B

DRAWING NUMBER
9630-20-046

REVISION
05

QC-46 MASTER ASSEMBLY

9120-046AM-0-0-000-0-SX



NOTES: UNLESS OTHERWISE SPECIFIED.

DO NOT SCALE DRAWING. ALL DIMENSIONS ARE IN MILLIMETERS.



3rd ANGLE PROJECTION



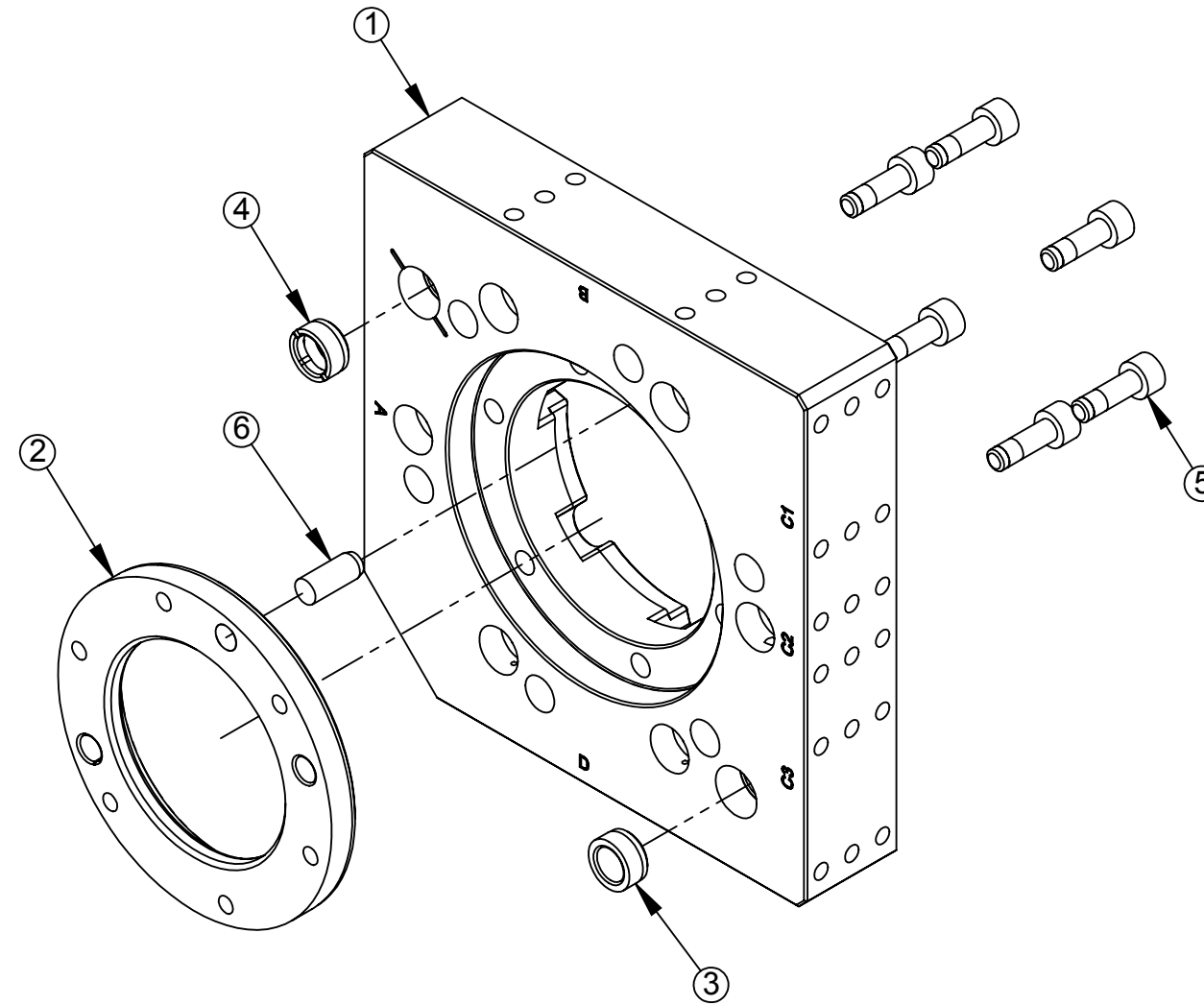
1031 Goodworth Drive, Apex, NC 27539, USA
 Tel: +1.919.772.0115 Email: info@ati-ia.com
 Fax: +1.919.772.8259 www.ati-ia.com
 ISO 9001 Registered Company

PROPERTY OF ATI INDUSTRIAL AUTOMATION, INC. NOT TO BE REPRODUCED IN ANY MANNER EXCEPT ON ORDER OR WITH PRIOR WRITTEN AUTHORIZATION OF ATI.

DRAWN BY: K. ZACHARY 08/29/16		TITLE		
CHECKED BY: B. KENDRICK 09/06/16		QC-46 TOOL CHANGER DRAWING		
PROJECT # 160404-2	SHEET 3 OF 4	SCALE 1:2	SIZE B	DRAWING NUMBER 9630-20-046
				REVISION 05

QC-46 TOOL ASSEMBLY

9120-046JT-0-0-000-0



NOTES: UNLESS OTHERWISE SPECIFIED.

DO NOT SCALE DRAWING. ALL DIMENSIONS ARE IN MILLIMETERS.



3rd ANGLE PROJECTION



1031 Goodworth Drive, Apex, NC 27539, USA
 Tel: +1.919.772.0115 Email: info@ati-ia.com
 Fax: +1.919.772.8259 www.ati-ia.com
 ISO 9001 Registered Company

PROPERTY OF ATI INDUSTRIAL AUTOMATION, INC. NOT TO BE REPRODUCED IN ANY MANNER EXCEPT ON ORDER OR WITH PRIOR WRITTEN AUTHORIZATION OF ATI.

DRAWN BY: K. ZACHARY 08/29/16

CHECKED BY: B. KENDRICK 09/06/16

TITLE

QC-46 TOOL CHANGER DRAWING

PROJECT # 160404-2 SHEET 4 OF 4

SCALE
1:2

SIZE
B

DRAWING NUMBER
9630-20-046

REVISION
05