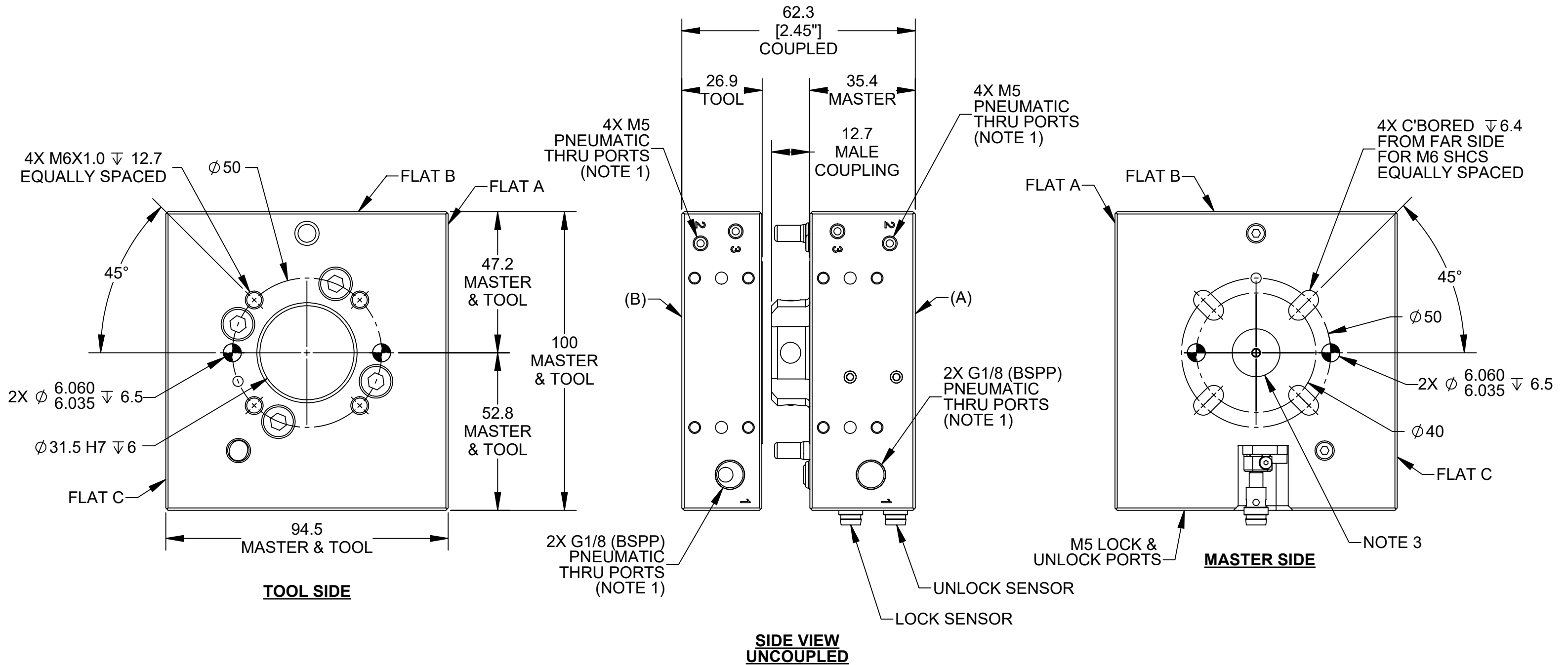


REV.	DESCRIPTION	INITIATOR	DATE
01	INITIAL DRAWING	MJG	6/15/2021

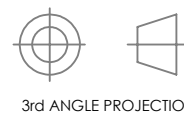


PART NUMBERS:
 (A) MASTER: 9120-029AM-0-0-0-SX-E (NOTE 2)
 (B) TOOL: 9120-029ET-0-0-0-E

- NOTES:
- LOCATION AND TYPE OF PNEUMATIC THRU PORTS #1-#3 ON FLAT A ARE REPEATED ON FLAT C, MIRROR IMAGE, FOR PNEUMATIC THRU PORTS #4-#6.
 - '-SX' IN MASTER PART NUMBER DENOTES SENSOR OPTIONS ARE AVAILABLE.
 - OPTIONAL MASTER SIDE MOUNTING BOSSES AVAILABLE. MOST COMMON:
 - 9120-029AM...: QC-29 MASTER WITHOUT A BOSS
 - 9120-029DM...: QC-29 MASTER WITH ϕ 25mm BOSS FOR ISO 9409-1-40-4-M6 MOUNTING
 - 9120-029EM...: QC-29 MASTER WITH ϕ 31.5mm BOSS FOR ISO 9409-1-50-4-M6 MOUNTING
 - CONTACT ATI FOR FULL PART NUMBERS AND LIST OF OPTIONS.

NOTES: UNLESS OTHERWISE SPECIFIED.

DO NOT SCALE DRAWING. ALL DIMENSIONS ARE IN MILLIMETERS.



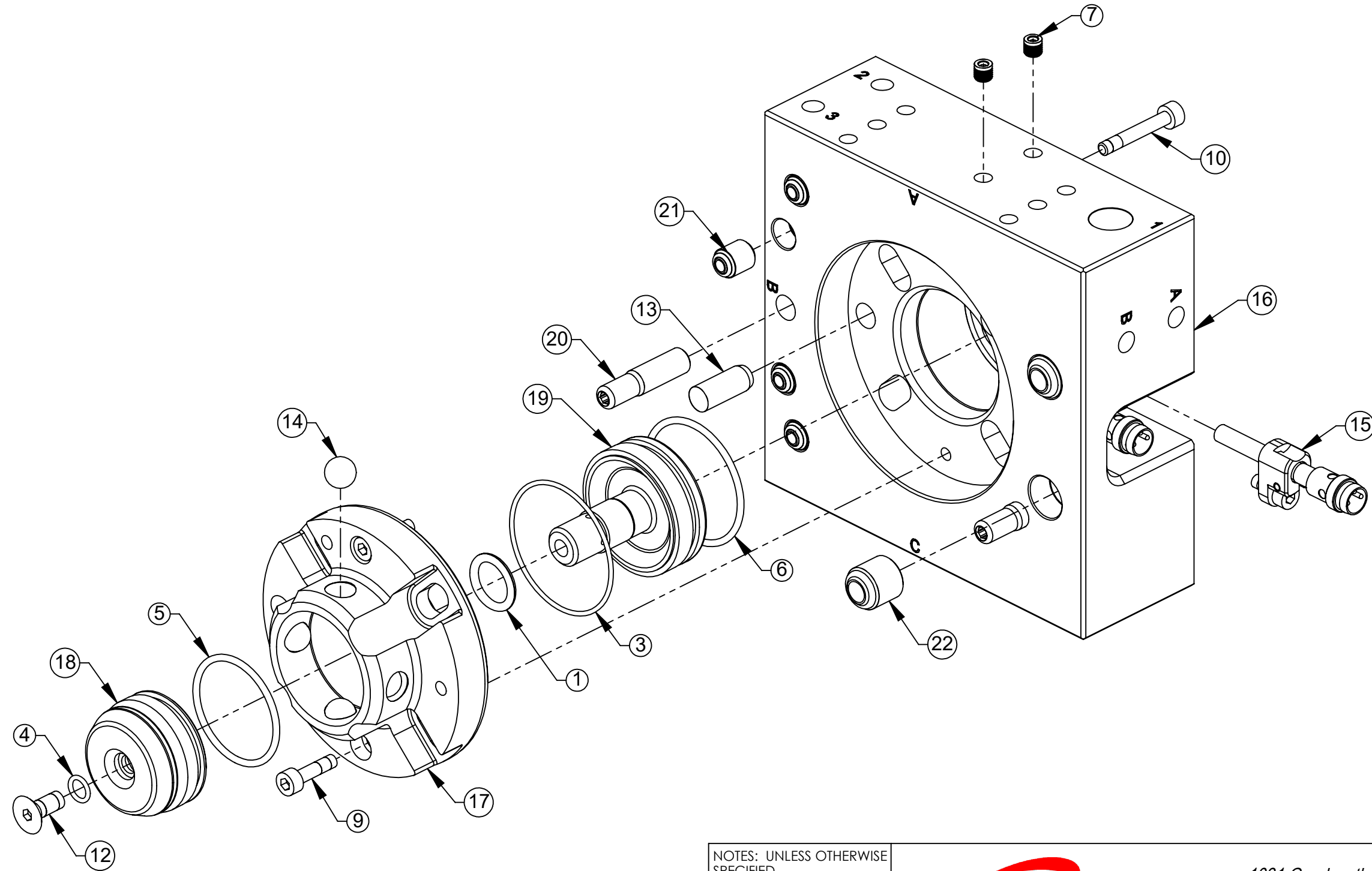
1031 Goodworth Drive, Apex, NC 27539, USA
 Tel: +1.919.772.0115 www.ati-ia.com
 Fax: +1.919.772.8259 ISO 9001 Registered Company

PROPERTY OF ATI INDUSTRIAL AUTOMATION, INC. NOT TO BE REPRODUCED IN ANY MANNER EXCEPT ON ORDER OR WITH PRIOR WRITTEN AUTHORIZATION OF ATI.

DRAWN BY: M. GALA 6/7/21		TITLE	
CHECKED BY: D. FAUST 6/14/21		QC-29 TOOL CHANGER DRAWING, EURO	
PROJECT # 151026-2	SHEET 1 OF 3	SCALE 2:2.5	SIZE B
DRAWING NUMBER 9630-20-029-E		REVISION 01	

QC-29 MASTER ASSEMBLY, EURO

9120-029AM-0-0-0-SX-E



NOTES: UNLESS OTHERWISE SPECIFIED.

DO NOT SCALE DRAWING. ALL DIMENSIONS ARE IN MILLIMETERS.



3rd ANGLE PROJECTION



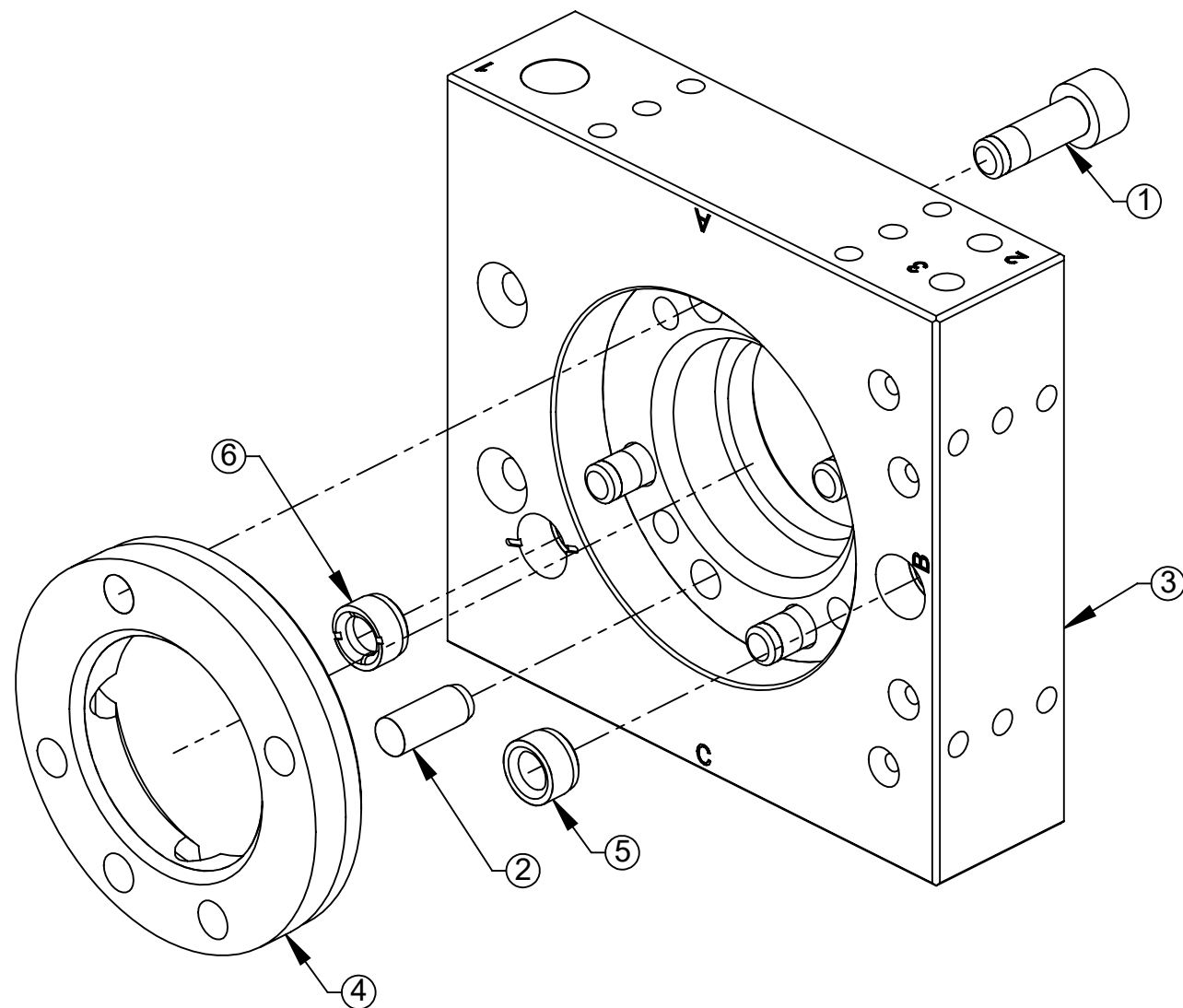
1031 Goodworth Drive, Apex, NC 27539, USA
 Tel: +1.919.772.0115 www.ati-ia.com
 Fax: +1.919.772.8259 ISO 9001 Registered Company

PROPERTY OF ATI INDUSTRIAL AUTOMATION, INC. NOT TO BE REPRODUCED IN ANY MANNER EXCEPT ON ORDER OR WITH PRIOR WRITTEN AUTHORIZATION OF ATI.

DRAWN BY: M. GALA 6/7/21		TITLE		
CHECKED BY: D. FAUST 6/14/21		QC-29 TOOL CHANGER DRAWING, EURO		
PROJECT # 151026-2	SHEET 2 OF 3	SCALE 1:1	SIZE B	DRAWING NUMBER 9630-20-029-E
				REVISION 01

QC-29 TOOL ASSEMBLY, EURO

9120-029ET-0-0-0-E



NOTES: UNLESS OTHERWISE SPECIFIED.

DO NOT SCALE DRAWING.
ALL DIMENSIONS ARE IN
MILLIMETERS.



3rd ANGLE PROJECTION



1031 Goodworth Drive, Apex, NC 27539, USA
Tel: +1.919.772.0115 www.ati-ia.com
Fax: +1.919.772.8259 ISO 9001 Registered Company

PROPERTY OF ATI INDUSTRIAL AUTOMATION, INC. NOT TO BE REPRODUCED IN ANY MANNER EXCEPT ON ORDER OR WITH PRIOR WRITTEN AUTHORIZATION OF ATI.

DRAWN BY: M. GALA 6/7/21

CHECKED BY: D. FAUST 6/14/21

PROJECT # 151026-2 SHEET 3 OF 3

TITLE

QC-29 TOOL CHANGER DRAWING, EURO

SCALE
1:1

SIZE
B

DRAWING NUMBER
9630-20-029-E

REVISION
01