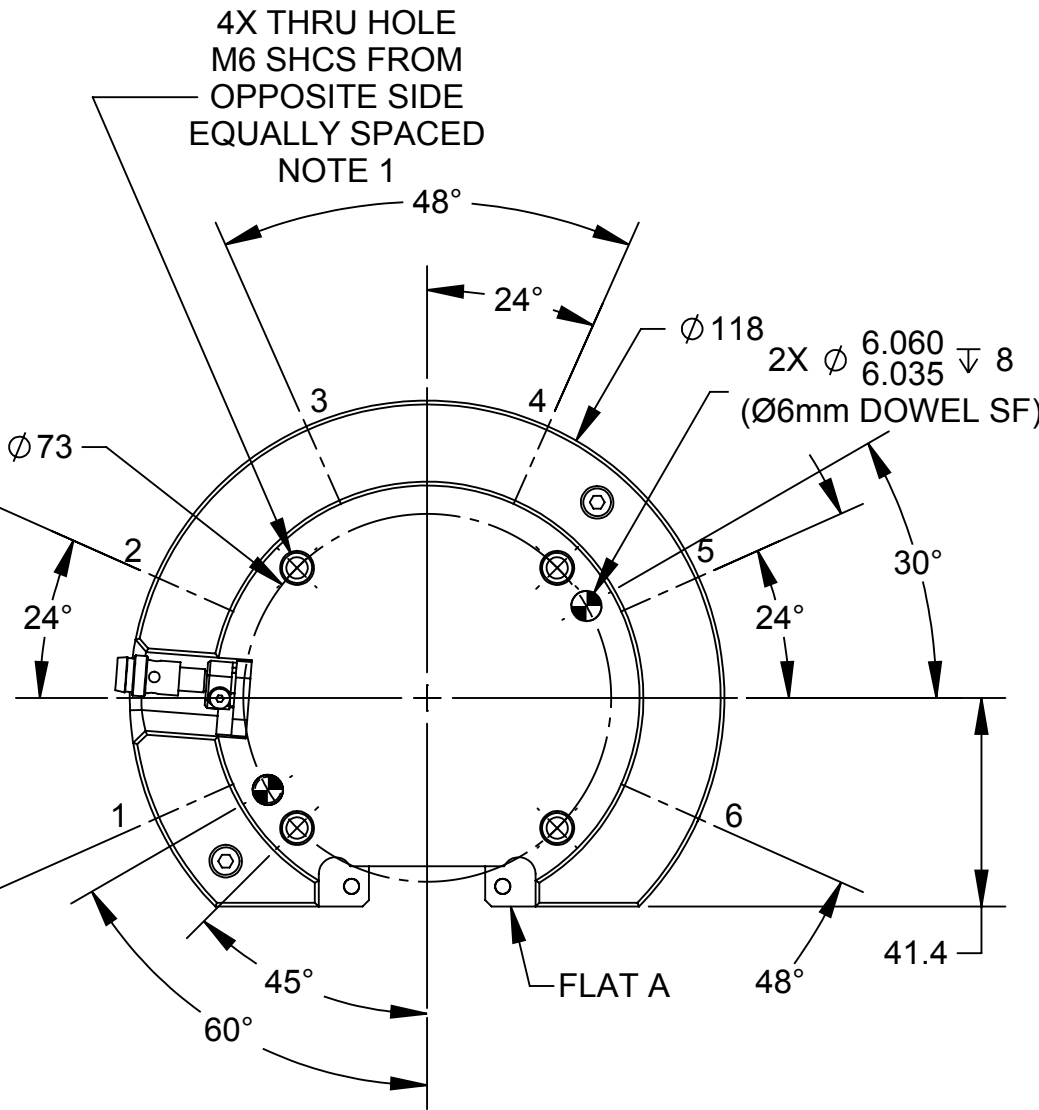
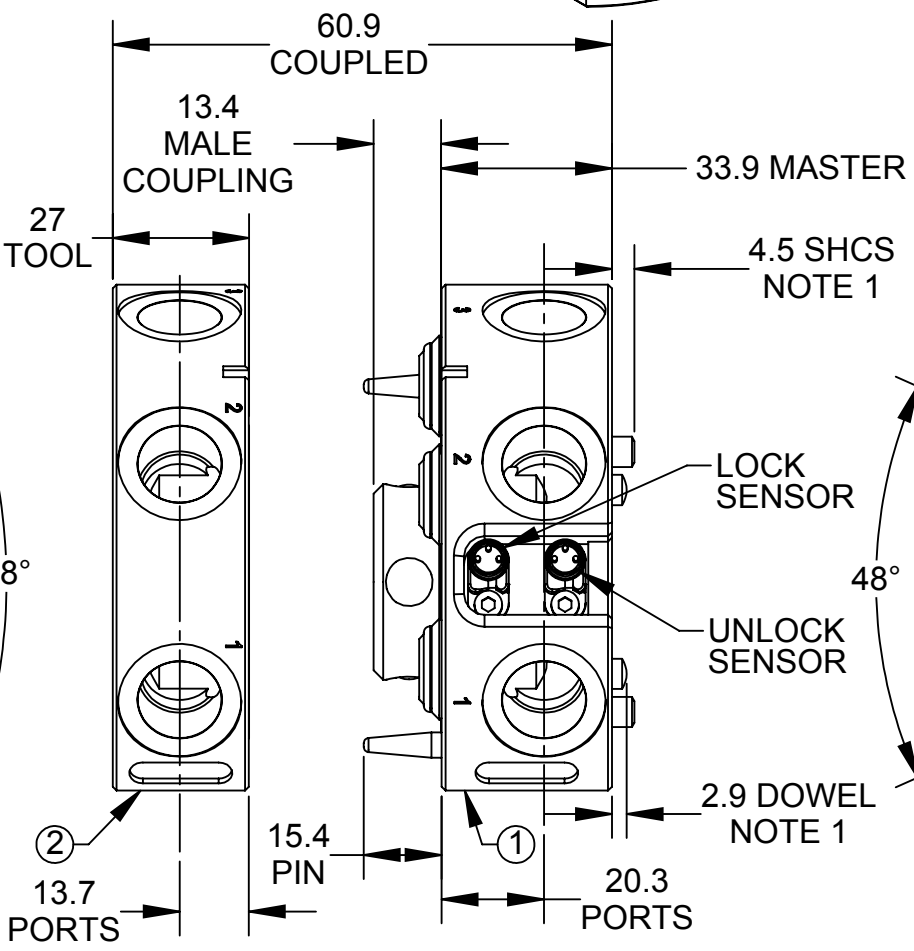
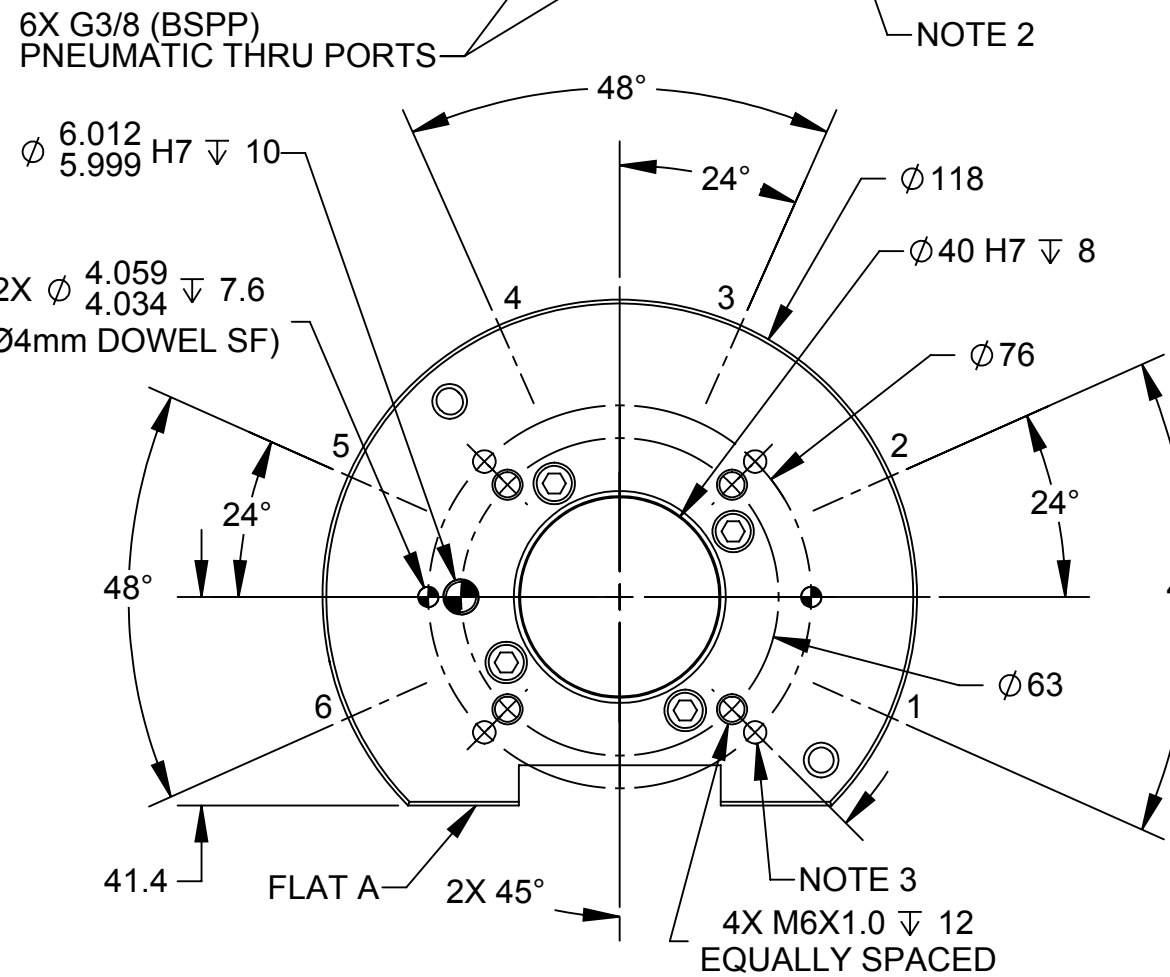
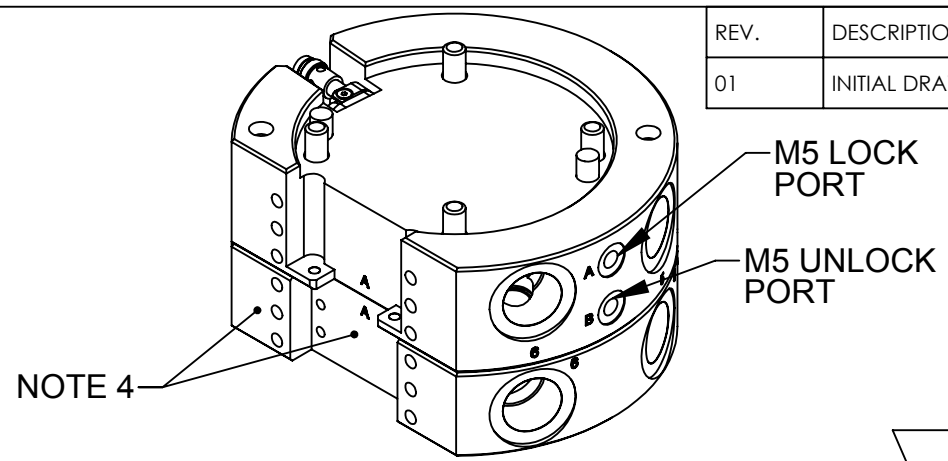
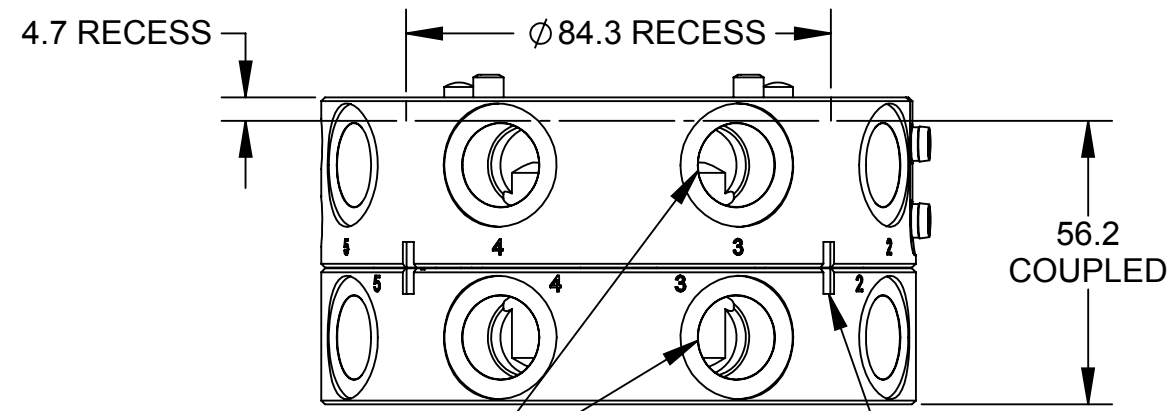


REV.	DESCRIPTION	INITIATOR	DATE
01	INITIAL DRAWING	JR	10/11/2018



TOOL SIDE

SIDE VIEW

MASTER SIDE

NOTES:

1. MASTER MOUNTING HARDWARE PROVIDED.
2. ORIENTATION MARKS ARE PROVIDED TO ASSIST IN ROBOT TEACHING.
3. OPTIONAL BOLT DOWN FOR TOOL SIDE: (4) HOLES C'BORED FROM OPPOSITE SIDE 4.4 DEEP FOR M4; EQUALLY SPACED.
4. FLAT A ACCOMODATES A WIDER SELECTION OF MODULES DUE TO TWO TYPES OF MODULE PATTERNS.
5. 'SX' IN MASTER PART NUMBER INDICATES SENSOR DESIGNATION; OTHER SENSOR OPTIONS ARE AVAILABLE.

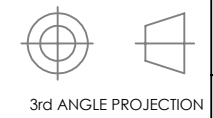
ITEM NO.	QTY	PART NUMBER	DESCRIPTION
1	1	9120-022M-000-000-SX-E	QC-22 Master, Euro, PNP Sensors with 5m Cables
2	1	9120-022T-000-000-E	QC-22 Tool, Euro, No Options

NOTES: UNLESS OTHERWISE SPECIFIED.
DO NOT SCALE DRAWING. ALL DIMENSIONS ARE IN MILLIMETERS.



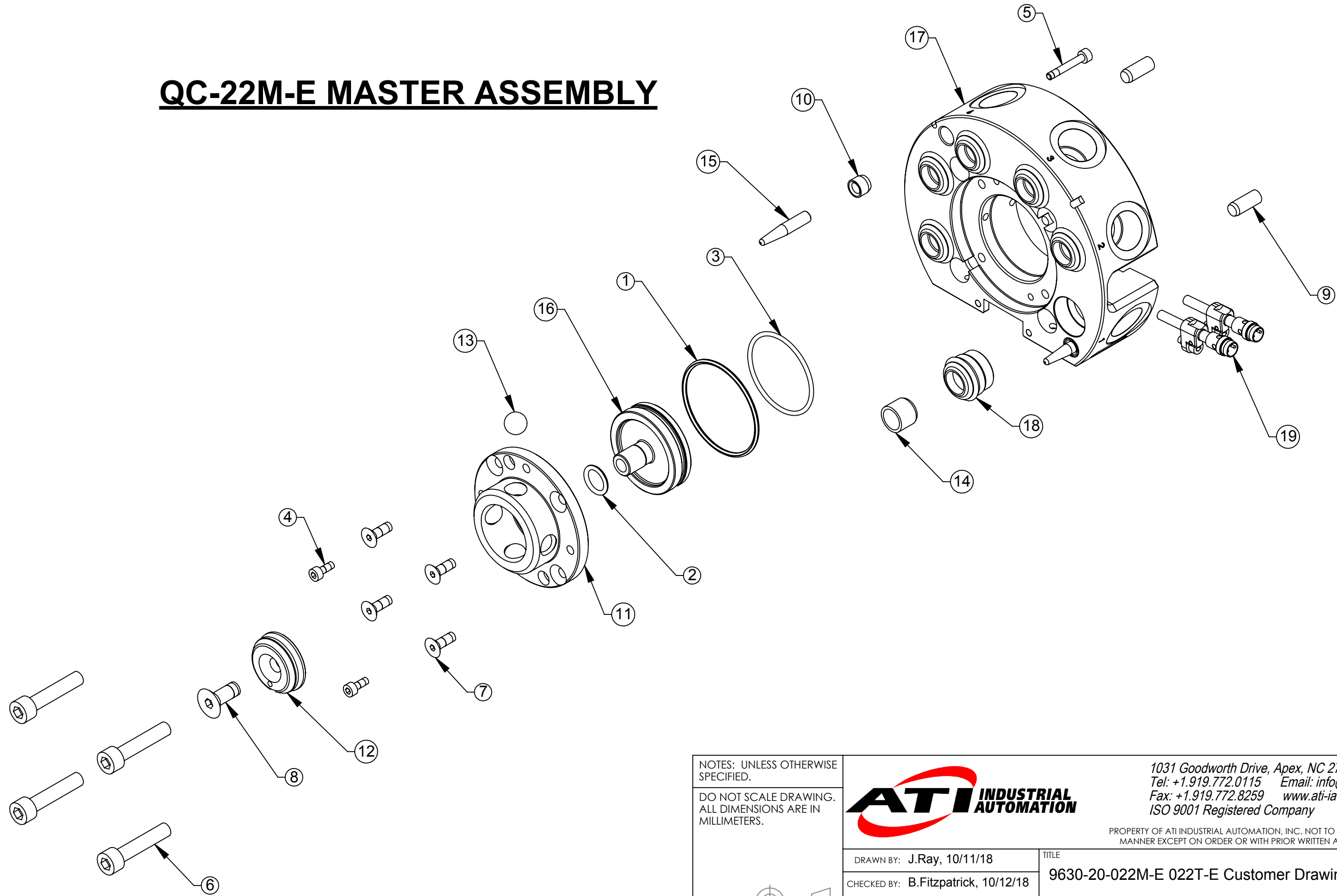
1031 Goodworth Drive, Apex, NC 27539, USA
Tel: +1.919.772.0115 Email: info@ati-ia.com
Fax: +1.919.772.8259 www.ati-ia.com
ISO 9001 Registered Company

PROPERTY OF ATI INDUSTRIAL AUTOMATION, INC. NOT TO BE REPRODUCED IN ANY MANNER EXCEPT ON ORDER OR WITH PRIOR WRITTEN AUTHORIZATION OF ATI.



DRAWN BY: J.Ray, 10/11/18		TITLE	
CHECKED BY: B.Fitzpatrick, 10/12/18		9630-20-022M-E 022T-E Customer Drawing	
PROJECT # 181011-3	SHEET 1 OF 3	SCALE 2:3	SIZE B
		DRAWING NUMBER	REVISION
		9630-20-022M-E 022T-E	01

QC-22M-E MASTER ASSEMBLY




NOTES: UNLESS OTHERWISE SPECIFIED.

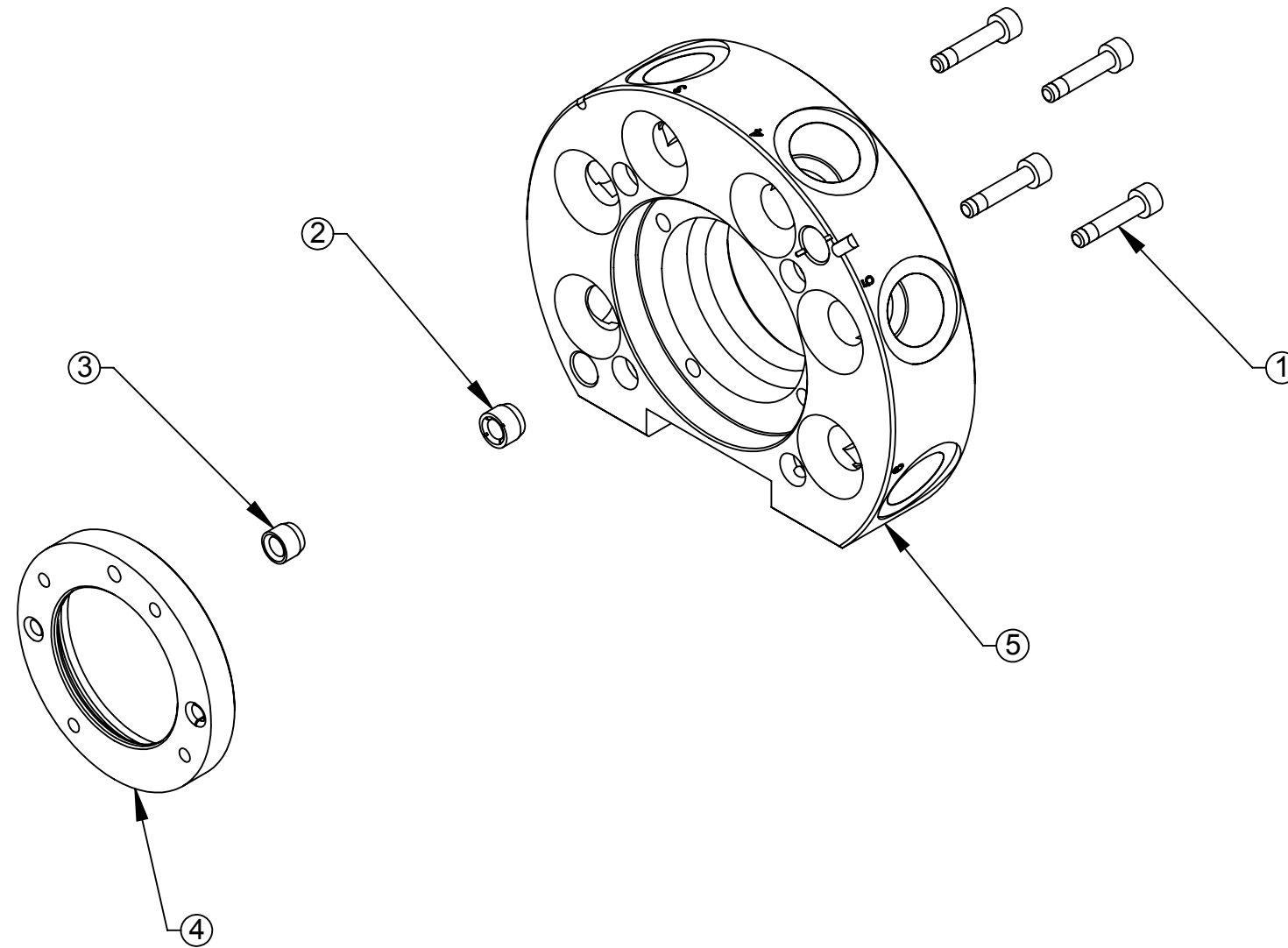
DO NOT SCALE DRAWING. ALL DIMENSIONS ARE IN MILLIMETERS.



3rd ANGLE PROJECTION

		1031 Goodworth Drive, Apex, NC 27539, USA Tel: +1.919.772.0115 Email: info@ati-ia.com Fax: +1.919.772.8259 www.ati-ia.com ISO 9001 Registered Company		
		PROPERTY OF ATI INDUSTRIAL AUTOMATION, INC. NOT TO BE REPRODUCED IN ANY MANNER EXCEPT ON ORDER OR WITH PRIOR WRITTEN AUTHORIZATION OF ATI.		
DRAWN BY: J.Ray, 10/11/18 CHECKED BY: B.Fitzpatrick, 10/12/18		TITLE 9630-20-022M-E 022T-E Customer Drawing		
PROJECT # 181011-3 SHEET 2 OF 3		SCALE 2:3	SIZE B	DRAWING NUMBER 9630-20-022M-E 022T-E
				REVISION 01

QC-22T-E TOOL ASSEMBLY



NOTES: UNLESS OTHERWISE SPECIFIED.

DO NOT SCALE DRAWING. ALL DIMENSIONS ARE IN MILLIMETERS.



3rd ANGLE PROJECTION



1031 Goodworth Drive, Apex, NC 27539, USA
 Tel: +1.919.772.0115 Email: info@ati-ia.com
 Fax: +1.919.772.8259 www.ati-ia.com
 ISO 9001 Registered Company

PROPERTY OF ATI INDUSTRIAL AUTOMATION, INC. NOT TO BE REPRODUCED IN ANY MANNER EXCEPT ON ORDER OR WITH PRIOR WRITTEN AUTHORIZATION OF ATI.

DRAWN BY: J.Ray, 10/11/18		TITLE		
CHECKED BY: B.Fitzpatrick, 10/12/18		9630-20-022M-E 022T-E Customer Drawing		
PROJECT #	181011-3	SHEET	3 OF 3	REVISION
SCALE	2:3	SIZE	B	DRAWING NUMBER
		9630-20-022M-E 022T-E		01