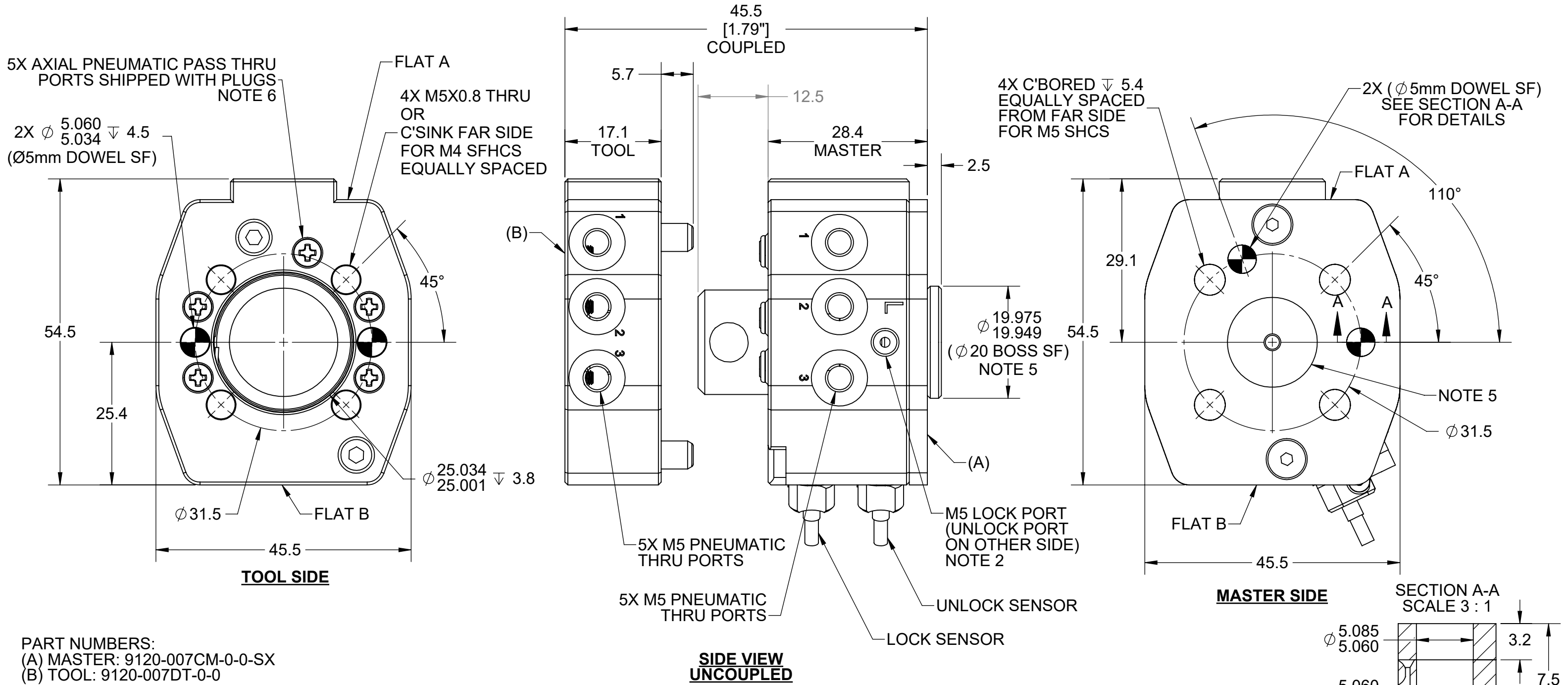


REV.	DESCRIPTION	INITIATOR	DATE
01	INITIAL DRAWING	DCT	09/16/2020

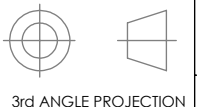


PART NUMBERS:
 (A) MASTER: 9120-007CM-0-0-SX
 (B) TOOL: 9120-007DT-0-0

- NOTES:
- FLAT A FEATURES MOUNTING FEATURES FOR OPTIONAL MODULES.
 - MASTER SIDE INCLUDES 4mm TUBE FITTINGS FOR LOCK AND UNLOCK PORTS. FITTINGS ARE NOT SHOWN FOR CLARITY.
 - '-SX' IN MASTER PART NUMBER DENOTES SENSOR OPTIONS ARE AVAILABLE.
 - TOOL SIDE OFFERS OPTIONAL TOOL STAND MOUNTING MODULE 9120-TSS-TH-11391.
 - OPTIONAL MASTER SIDE MOUNTING BOSSES AVAILABLE.
 A. 9120-007AM... : QC-7 MASTER WITHOUT A BOSS
 B. 9120-007BM... : QC-7 MASTER WITH A 12mm BOSS (ϕ 11.974/ ϕ 11.948)
 C. 9120-007CM... : QC-7 MASTER WITH A 20mm BOSS (ϕ 19.975/ ϕ 19.949) (DEFAULT)
 - TOOL SIDE OFFERS OPTIONAL AXIAL PORTS WHEN THE PLUGS ARE REMOVED. TOOL SIDE INCLUDES O-RINGS TO SEAL THE AXIAL PORTS WHEN PLUGS ARE REMOVED. SEE SHEET 2 FOR DETAILS.
 - CONTACT ATI FOR FULL PART NUMBERS AND LIST OF OPTIONS.

NOTES: UNLESS OTHERWISE SPECIFIED.

DO NOT SCALE DRAWING. ALL DIMENSIONS ARE IN MILLIMETERS.

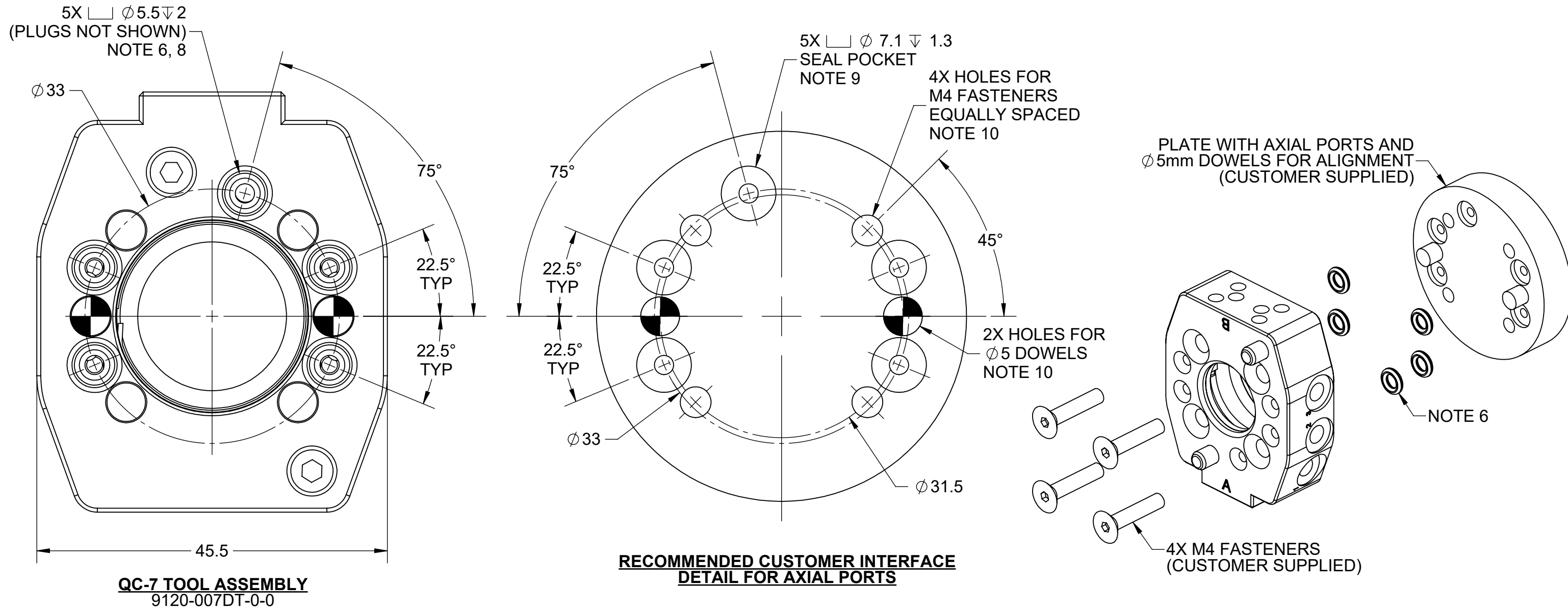


1031 Goodworth Drive, Apex, NC 27539, USA
 Tel: +1.919.772.0115 www.ati-ia.com
 Fax: +1.919.772.8259 ISO 9001 Registered Company

PROPERTY OF ATI INDUSTRIAL AUTOMATION, INC. NOT TO BE REPRODUCED IN ANY MANNER EXCEPT ON ORDER OR WITH PRIOR WRITTEN AUTHORIZATION OF ATI.

DRAWN BY: D. THOMAS, 05/21/2020		TITLE	
CHECKED BY: M. GALA, 08/03/2020		QC-7 Tool Changer Drawing	
SCALE	SIZE	DRAWING NUMBER	REVISION
3:2	B	9630-20-007CM 007DT	01
PROJECT # 200116-1 SHEET 1 OF 4			

TOOL SIDE AXIAL PORT INTERFACE DETAIL



NOTES:

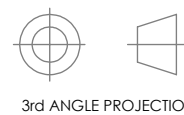
8. AXIAL PORTS ARE NOT INDEPENDENT OF RADIAL PORTS. IF AXIAL PORTING IS USED, THEN RADIAL PORTS SHOULD BE PLUGGED AND VICE VERSA.
9. CUSTOMER INTERFACE PLATE MUST HAVE FEATURES SHOWN TO ENSURE PROPER SEALING OF THE O-RINGS INCLUDED WITH THE TOOL SIDE.
10. M4 AND 5mm DOWEL FEATURES ARE DESCRIBED IN GENERAL TERMS. CUSTOMERS WILL HAVE SPECIFIC REQUIREMENTS FOR THREAD PITCH AND HOLE CLEARANCES.

COMPATIBLE O-RING SEALS:

- ATI# 3410-0001170-01: O-RING, SIZE AS568A-007, NITRILE (INCLUDED)
- ATI# 3410-0001532-01: O-RING, SIZE 1.6mm X 4mm X 7.2mm, NITRILE

NOTES: UNLESS OTHERWISE SPECIFIED.

DO NOT SCALE DRAWING. ALL DIMENSIONS ARE IN MILLIMETERS.



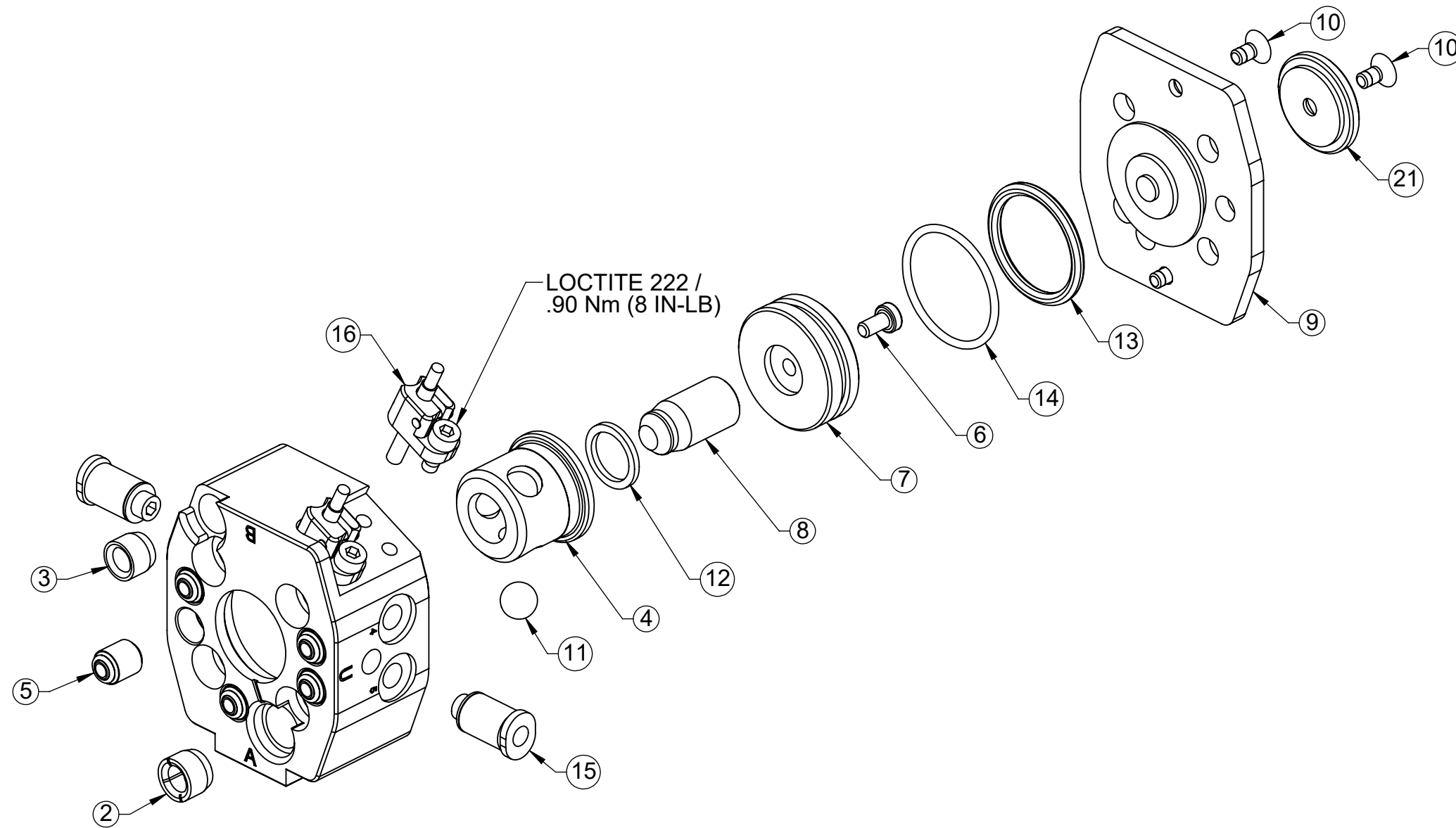
1031 Goodworth Drive, Apex, NC 27539, USA
Tel: +1.919.772.0115 www.ati-ia.com
Fax: +1.919.772.8259 ISO 9001 Registered Company

PROPERTY OF ATI INDUSTRIAL AUTOMATION, INC. NOT TO BE REPRODUCED IN ANY MANNER EXCEPT ON ORDER OR WITH PRIOR WRITTEN AUTHORIZATION OF ATI.

DRAWN BY: D. THOMAS, 05/21/2020		TITLE	
CHECKED BY: M. GALA, 08/03/2020		QC-7 Tool Changer Drawing	
PROJECT # 200116-1	SHEET 2 OF 4	SCALE	REVISION
		2:1	01
		SIZE	DRAWING NUMBER
		B	9630-20-007CM 007DT

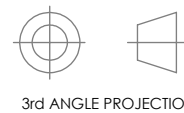
QC-7 MASTER

9120-007CM-0-0-SX



NOTES: UNLESS OTHERWISE SPECIFIED.

DO NOT SCALE DRAWING. ALL DIMENSIONS ARE IN MILLIMETERS.



1031 Goodworth Drive, Apex, NC 27539, USA
 Tel: +1.919.772.0115 www.ati-ia.com
 Fax: +1.919.772.8259 ISO 9001 Registered Company

PROPERTY OF ATI INDUSTRIAL AUTOMATION, INC. NOT TO BE REPRODUCED IN ANY MANNER EXCEPT ON ORDER OR WITH PRIOR WRITTEN AUTHORIZATION OF ATI.

DRAWN BY: D. THOMAS, 05/21/2020

CHECKED BY: M. GALA, 08/03/2020

TITLE

QC-7 Tool Changer Drawing

PROJECT # 200116-1 SHEET 3 OF 4

SCALE
1:1

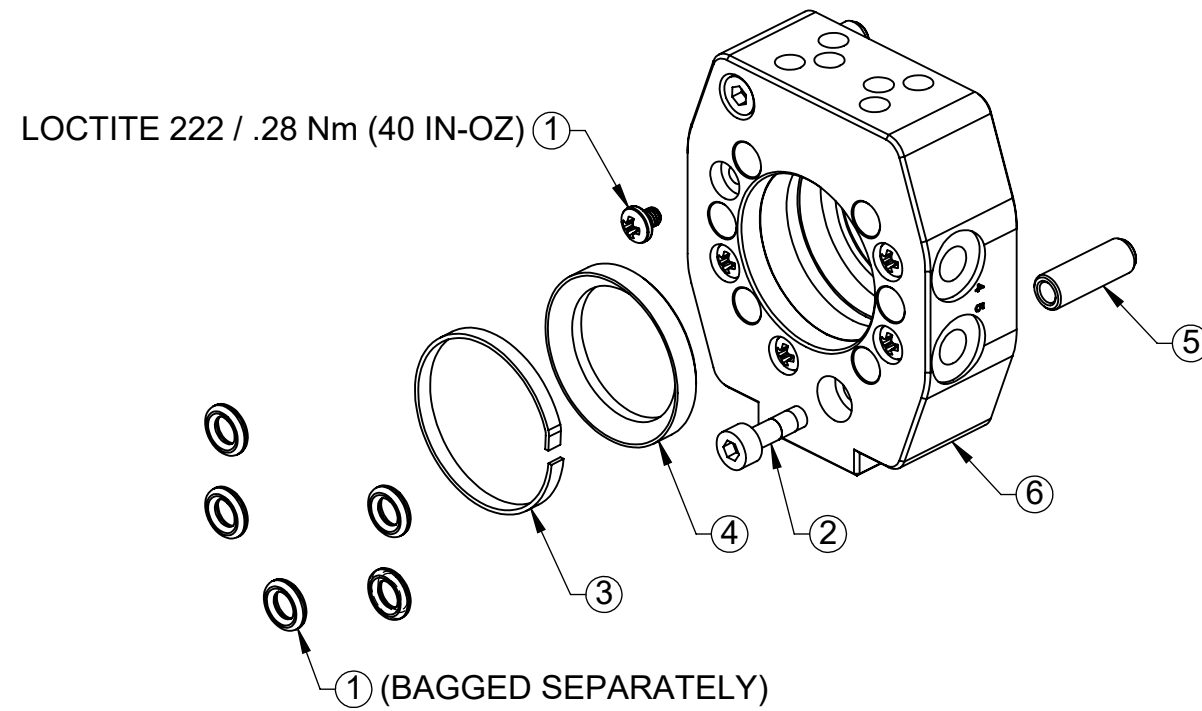
SIZE
B

DRAWING NUMBER
9630-20-007CM 007DT

REVISION
01

QC-7 HANGER TOOL

9120-007DT-0-0



NOTES: UNLESS OTHERWISE SPECIFIED.

DO NOT SCALE DRAWING. ALL DIMENSIONS ARE IN MILLIMETERS.



3rd ANGLE PROJECTION



1031 Goodworth Drive, Apex, NC 27539, USA
 Tel: +1.919.772.0115 www.ati-ia.com
 Fax: +1.919.772.8259 ISO 9001 Registered Company

PROPERTY OF ATI INDUSTRIAL AUTOMATION, INC. NOT TO BE REPRODUCED IN ANY MANNER EXCEPT ON ORDER OR WITH PRIOR WRITTEN AUTHORIZATION OF ATI.

DRAWN BY: D. THOMAS, 05/21/2020

CHECKED BY: M. GALA, 08/03/2020

TITLE

QC-7 Tool Changer Drawing

PROJECT # 200116-1 SHEET 4 OF 4

SCALE
1:1

SIZE
B

DRAWING NUMBER
9630-20-007CM 007DT

REVISION
01