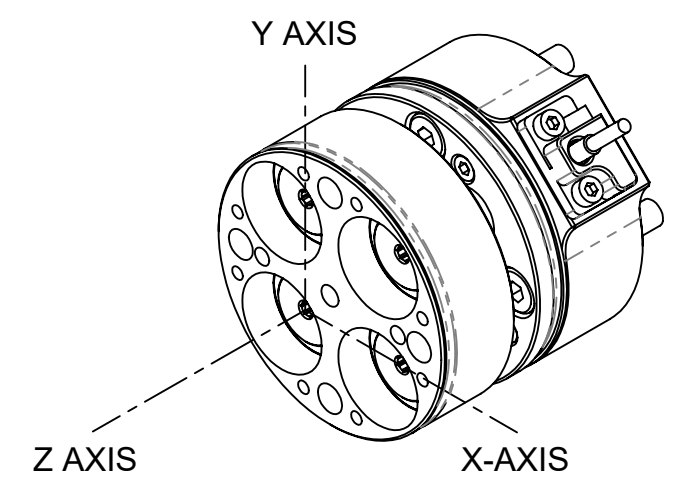
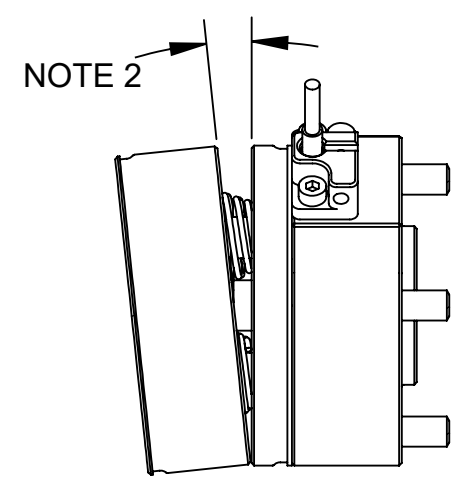
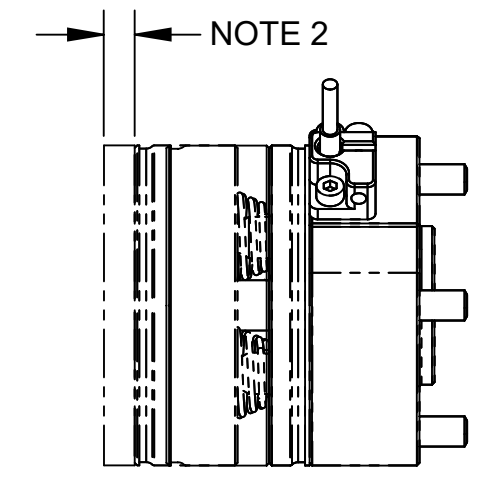
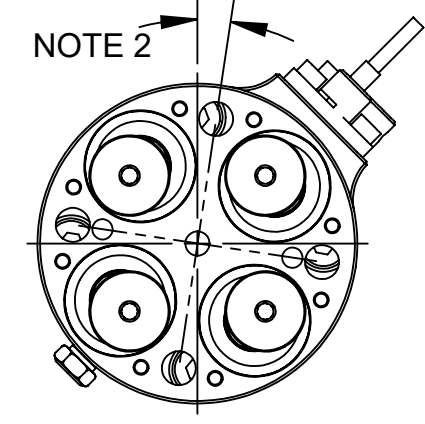
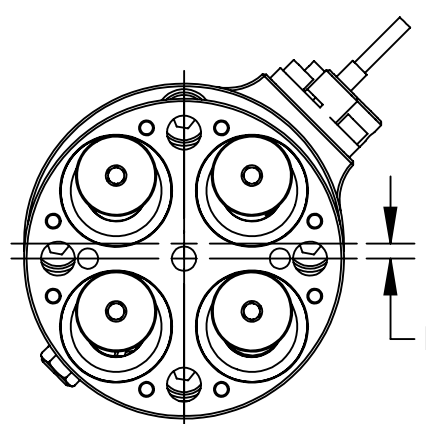
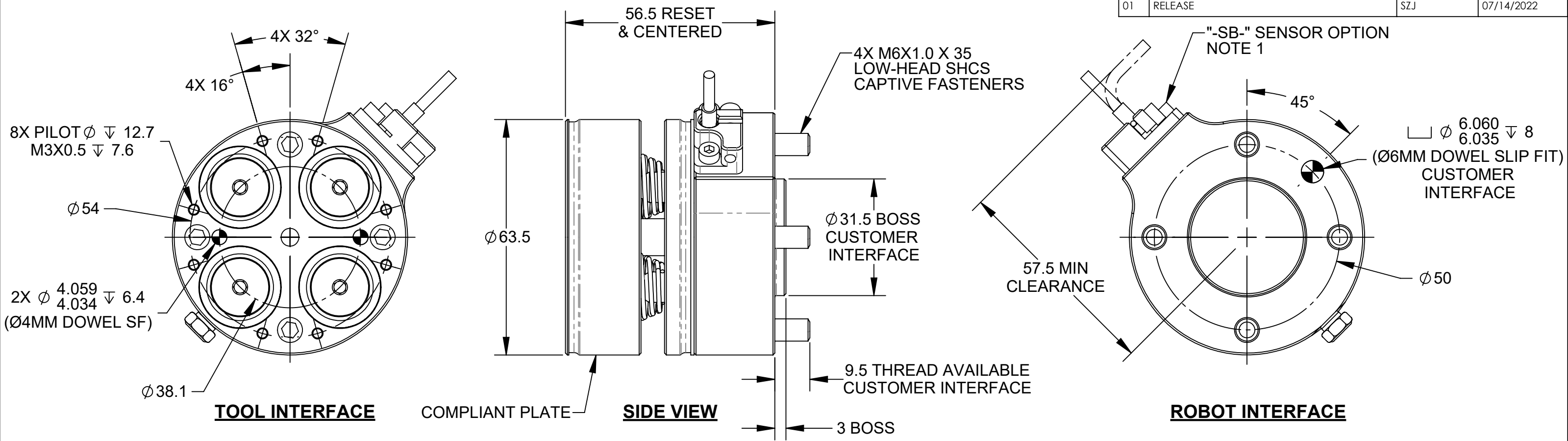


REV.	DESCRIPTION	INITIATOR	DATE
01	RELEASE	SZJ	07/14/2022

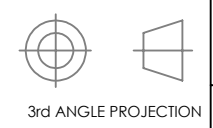


**NOTES:**

1. PNP SENSOR WITH HARDWIRED 5m CABLE WITH FLYING LEADS. CABLE ALSO SHOWN IN FLEXED STATE FOR CLEARANCE REQUIREMENT.
2. REFER TO ATI WEBSITE OR PRODUCT MANUAL FOR MAX COMPLIANCE VALUES.

NOTES: UNLESS OTHERWISE SPECIFIED.

DO NOT SCALE DRAWING. ALL DIMENSIONS ARE IN MILLIMETERS.



1031 Goodworth Drive, Apex, NC 27539, USA  
 Tel: +1.919.772.0115 www.ati-ia.com  
 Fax: +1.919.772.8259 ISO 9001 Registered Company

PROPERTY OF ATI INDUSTRIAL AUTOMATION, INC. NOT TO BE REPRODUCED IN ANY MANNER EXCEPT ON ORDER OR WITH PRIOR WRITTEN AUTHORIZATION OF ATI.

DRAWN BY: S. JEFFERS 7/14/22

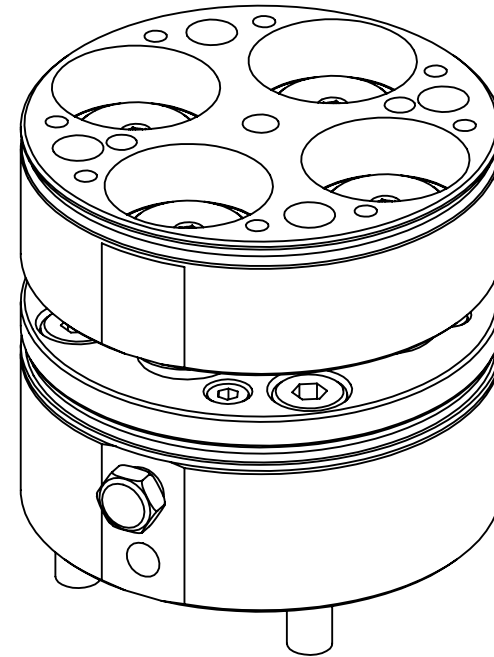
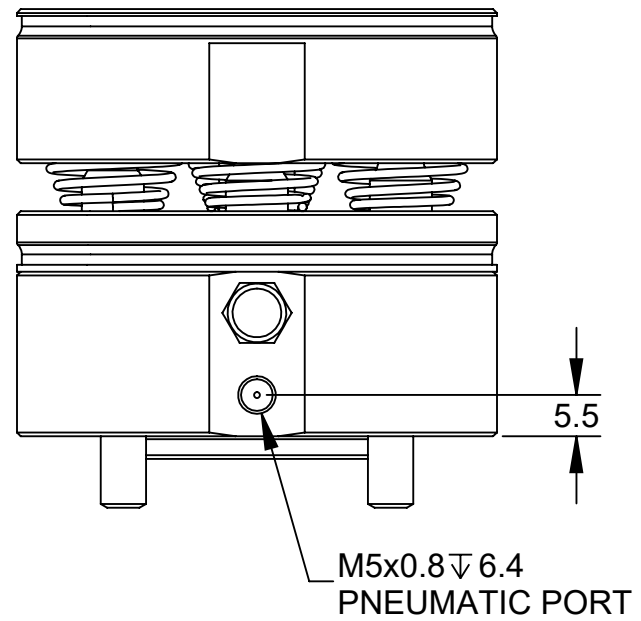
CHECKED BY: D. WAGNER 7/19/22

PROJECT # 141231-1 SHEET 1 OF 3

TITLE  
**UNIVERSAL COMPLIANCE COMPENSATOR, 31.5 BOSS, 50mm BC, PNP SENSOR, HARDWIRED 0.25M CABLE & 90 DEG LED PICO, M5 PORT, LOCKING**

SCALE	SIZE	DRAWING NUMBER	REVISION
1:1	B	9630-15-U1K-050-SB2-M-0000-L	01

**PNEUMATIC PORT LOCATION**



NOTES: UNLESS OTHERWISE SPECIFIED.

DO NOT SCALE DRAWING. ALL DIMENSIONS ARE IN MILLIMETERS.



3rd ANGLE PROJECTION



1031 Goodworth Drive, Apex, NC 27539, USA  
 Tel: +1.919.772.0115 [www.ati-ia.com](http://www.ati-ia.com)  
 Fax: +1.919.772.8259 ISO 9001 Registered Company

PROPERTY OF ATI INDUSTRIAL AUTOMATION, INC. NOT TO BE REPRODUCED IN ANY MANNER EXCEPT ON ORDER OR WITH PRIOR WRITTEN AUTHORIZATION OF ATI.

DRAWN BY: S. JEFFERS 7/14/22

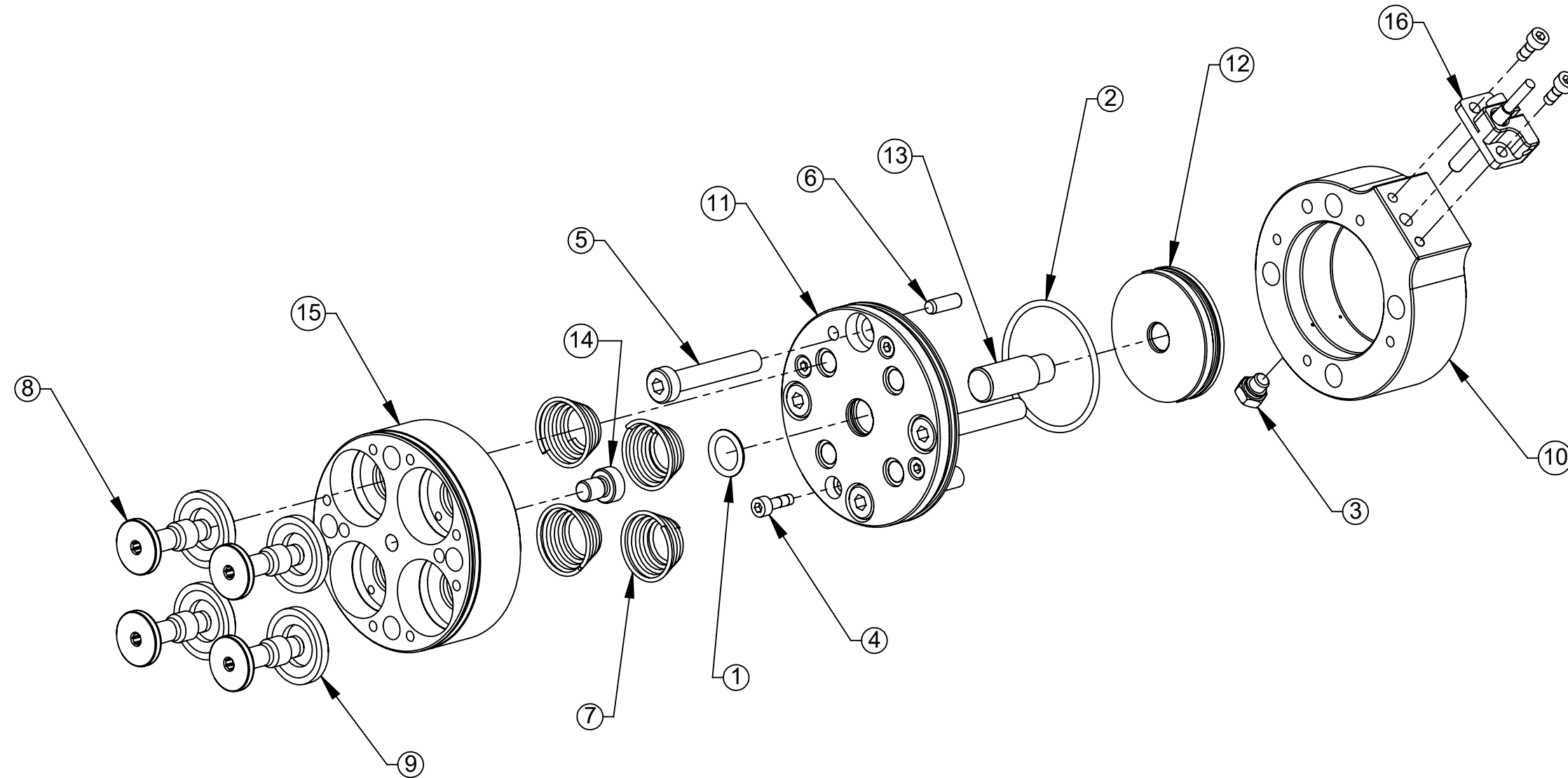
CHECKED BY: D. WAGNER 7/19/22

TITLE  
**UNIVERSAL COMPLIANCE COMPENSATOR, 31.5 BOSS,  
 50mm BC, PNP SENSOR, HARDWIRED 0.25M CABLE &  
 90 DEG LED PICO, M5 PORT, LOCKING**

PROJECT # 141231-1 SHEET 2 OF 3

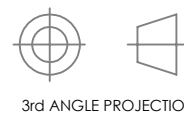
SCALE	SIZE	DRAWING NUMBER	REVISION
1:2	B	9630-15-U1K-050-SB2-M-0000-L	01

**9117-U1K-050-SB2-M-0000-L**  
**EXPLODED VIEW**



NOTES: UNLESS OTHERWISE SPECIFIED.

DO NOT SCALE DRAWING. ALL DIMENSIONS ARE IN MILLIMETERS.



1031 Goodworth Drive, Apex, NC 27539, USA  
 Tel: +1.919.772.0115 [www.ati-ia.com](http://www.ati-ia.com)  
 Fax: +1.919.772.8259 ISO 9001 Registered Company

PROPERTY OF ATI INDUSTRIAL AUTOMATION, INC. NOT TO BE REPRODUCED IN ANY MANNER EXCEPT ON ORDER OR WITH PRIOR WRITTEN AUTHORIZATION OF ATI.

DRAWN BY: S. JEFFERS 7/14/22		TITLE UNIVERSAL COMPLIANCE COMPENSATOR, 31.5 BOSS, 50mm BC, PNP SENSOR, HARDWIRED 0.25M CABLE & 90 DEG LED PICO, M5 PORT, LOCKING		
CHECKED BY: D. WAGNER 7/19/22		SCALE	SIZE	DRAWING NUMBER
PROJECT # 141231-1	SHEET 3 OF 3	1:2	B	9630-15-U1K-050-SB2-M-0000-L
				REVISION 01