

No Installation and Operation Manual exists for this module. A drawing is attached.

For additional information, please refer to our catalog or contact our Sales department. We will be glad to assist you.

## **How to Reach Us**

### **Sales, Service and Information about ATI products:**

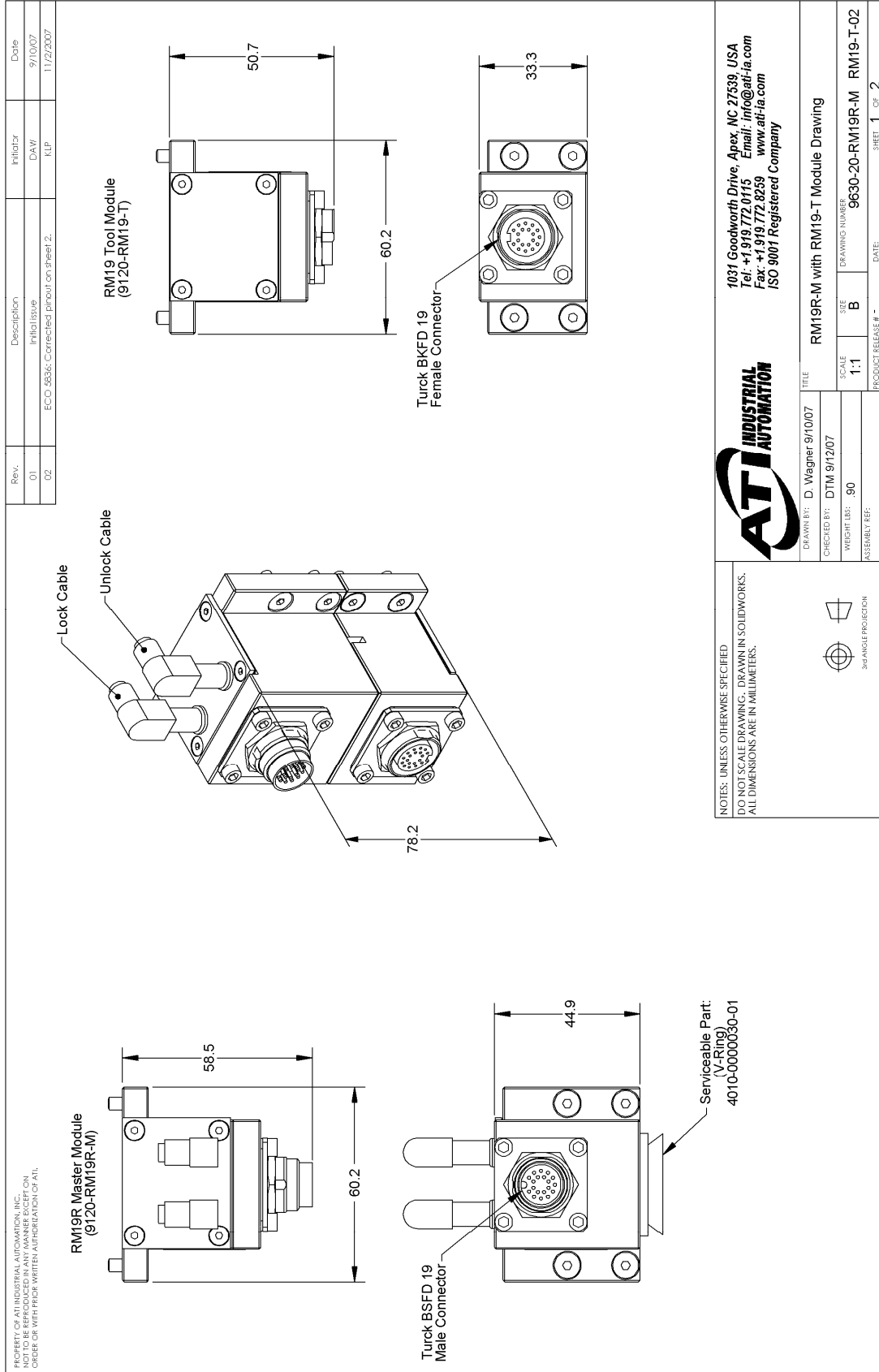
#### **ATI Industrial Automation**

1031 Goodworth Drive  
Apex, NC 27539 USA  
www.ati-ia.com  
Tel: 919.772.0115  
Fax: 919.772.8259  
E-mail: info@ati-ia.com

### **Technical support and questions:**

#### **Application Engineering**

Tel: 919.772.0115  
Fax: 919.772.8259  
E-mail: mech\_support@ati-ia.com



Rev.	Description	Initiator	Date
01	Initial Issue	DAW	9/10/07
02	ECCO 3836; Corrected pinout on sheet 2.	KLP	11/2/2007

**ATI INDUSTRIAL AUTOMATION**

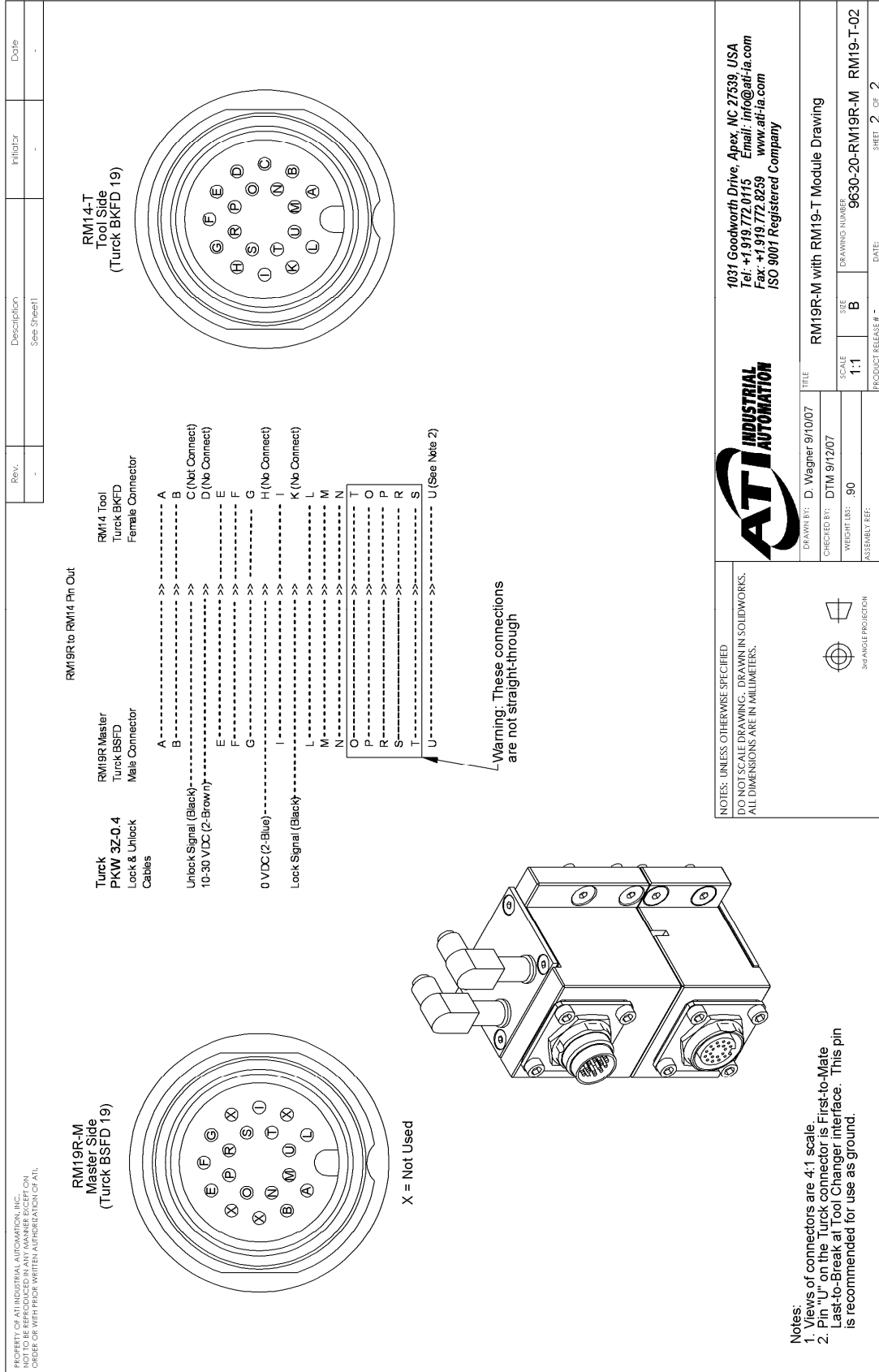
1031 Goodworth Drive, Apex, NC 27539 USA  
 Tel: +1 919.772.0115 Email: info@ati-ia.com  
 Fax: +1 919.772.8259 www.ati-ia.com  
 ISO 9001 Registered Company

NOTES: UNLESS OTHERWISE SPECIFIED  
 DO NOT SCALE DRAWING. DRAWN IN SOLIDWORKS.  
 ALL DIMENSIONS ARE IN MILLIMETERS.

DRAWN BY: D. Wagner 9/10/07  
 CHECKED BY: DTM 9/12/07  
 WEIGHT LBS: .90  
 ASSEMBLY REF:

TITLE: RM19R-M with RM19-T Module Drawing

SCALE: 1:1  
 SHEET: B  
 DRAWING NUMBER: 9630-20-RM19R-M RM19-T-02  
 PRODUCT RELEASE # -  
 DATE: SHEET 1 OF 2



**1031 Goodworth Drive, Apex, NC 27539 USA**  
 Tel: +1 919.772.0115 Email: info@ati-ia.com  
 Fax: +1 919.772.8259 www.ati-ia.com  
 ISO 9001 Registered Company

DRAWN BY: D. Wagner 9/10/07	TITLE: RM19R-M with RM19-T Module Drawing	SCALE: 1:1	DRAWING NUMBER: 9630-20-RM19R-M RM19-T-02
CHECKED BY: DTM 9/12/07		SHEET: B	DATE: 9/10/07
WEIGHT: .90		PRODUCT RELEASE #	SHEET 2 OF 2