

## Table of Contents

<b>D. Vacuum Modules .....</b>	<b>2</b>
<b>V114-M, V114-T.....</b>	<b>2</b>
1. Product Overview .....	2
2. Installation .....	3
2.1 Installation .....	3
2.2 Removal .....	3
3. Operation .....	3
4. Maintenance.....	3
4.1 Master-Side .....	3
5. Troubleshooting .....	4
6. Recommended Spare Parts.....	4
7. Specifications .....	4
8. Drawings .....	5
8.1 Master Vacuum/Air Module .....	5

## D. Vacuum Modules

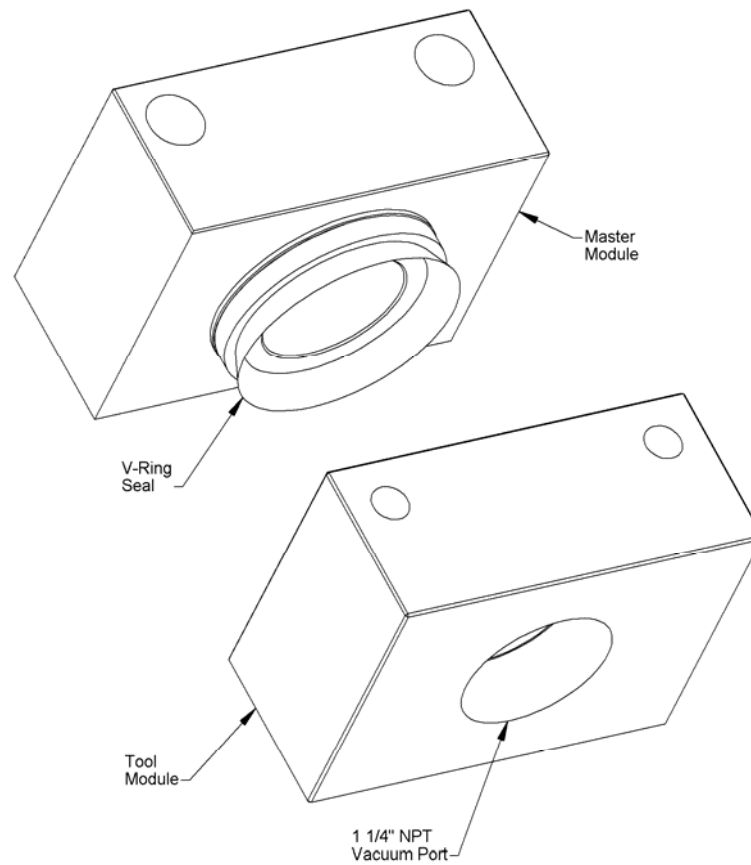
### V114-M, V114-T

#### 1. Product Overview

Modules providing vacuum service are attached to the Master and Tool Plates. Refer to the table and figure below for a description of the specific modules being presented in this section.

V114-M	(1) 1 1/4" NPT vacuum pass-through port
V114-T	(1) 1 1/4" NPT vacuum pass-through port

**Table 1.1 – Vacuum Modules**



**Figure 1.1 –Vacuum Module (V114)**

## 2. Installation

The vacuum modules are typically installed by ATI prior to shipment. The steps below outline the field installation or removal as required.



**DANGER:** Power and air should always be removed prior to maintenance or repair.

### 2.1 Installation

1. It may be necessary to clean the mounting surface on the tool changer prior to installing the module in order to remove any debris that may be present.
2. Align the module to the holes in the tool changer mounting surface using the dowels that are pressed into the module housing. Push the module up flush with the tool changer surface. Apply Loctite-242<sup>®</sup> (or similar) thread locker to the socket head cap screws and tighten using a hex key.
3. Connect customer plumbing to the module.

### 2.2 Removal

1. All customer plumbing connections to the module need to be purged and disconnected.
2. Remove the socket head cap screws and pull the module off the tool changer.

## 3. Operation

The vacuum modules are designed to pass vacuum from the Master to the Tool for use by the customer's tooling.

## 4. Maintenance

Once installed the operation of the vacuum module is generally trouble free. Periodically the condition of the v-ring should be checked. Replace if damaged or degraded. Any contamination in or around the mating surfaces of the modules should be removed with industrial contact cleaner. During inspection, ensure that the fasteners attaching the modules to the tool changer are secure.

The modules may be field serviced as needed. The following describes how to perform service.



**DANGER:** Power and air should always be removed prior to maintenance or repair.

### 4.1 Master-Side

The v-ring seal can be replaced by pulling the v-ring off of the retaining groove. Replace with part number 4010-000057-01.

## 5. Troubleshooting

Problem	Cause	Remedy
Leakage	Worn v-ring	Replace v-ring
Poor vacuum	Vacuum port blockage	Inspect modules and supply lines for blockage, clean/repair as necessary.
Modules wont couple	Dowel pin bent	Replace dowels as necessary. Check module attachment to tool changer.

## 6. Recommended Spare Parts

See drawings in Section 8.

## 7. Specifications

<b><u>Vacuum/Air Modules</u></b>	<b>V114-M, V114-T</b>	
Weight	1.73 lbs (.78 kg) 1.65 lbs (.75 kg)	V114-M V114-T
Materials of Construction	Various	Aluminum housing and Nitrile rubber v-ring
Vacuum Port (qty) Size	(1) 1 ¼" (31.75mm)	

## 8. Drawings

### 8.1 Master Vacuum/Air Module

