

D. Fluid Air Modules

P48—Fluid Air Module

No Manual exists for this fluid air module. A drawing is attached.

For additional information, please refer to our catalog or contact our Sales department. We will be glad to assist you.

How to Reach Us

Sale, Service and Information about ATI products:

ATI Industrial Automation

1031 Goodworth Drive

Apex, NC 27539 USA

www.ati-ia.com

Tel: 919.772.0115

Fax: 919.772.8259

E-mail: info@ati-ia.com

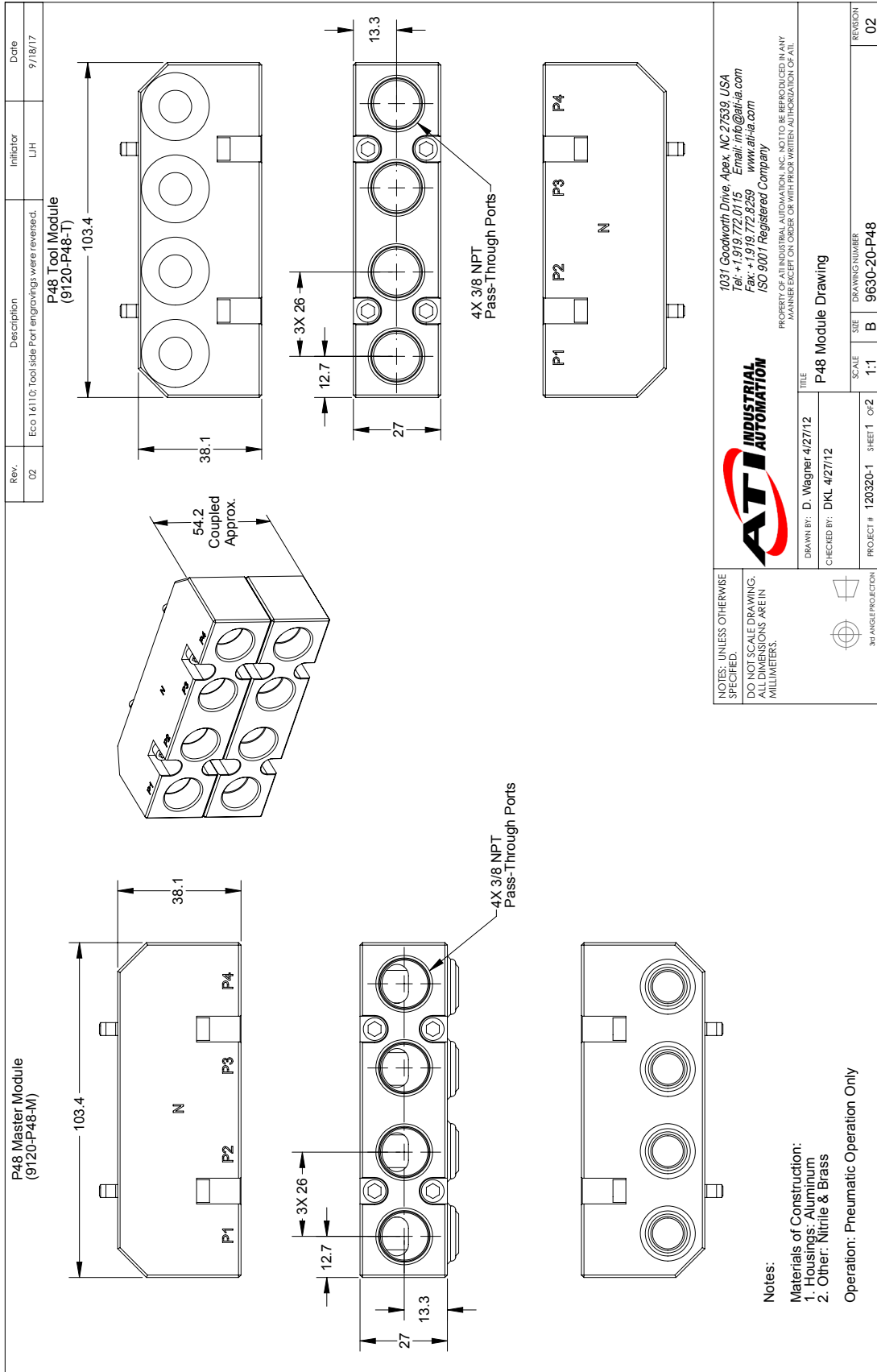
Technical support and questions:

Application Engineering

Tel: 919.772.0115, Option 2, Option 2

Fax: 919.772.8259

E-mail: mech_support@ati-ia.com



Master Servicable Parts

ITEM NO.	QTY.	PART NUMBER	DESCRIPTION
1	4	3700-20-2000	Collar for 3/8" Bushing
2	4	4010-000010-01	3/8" Rubber Bushing, Nitrile

No Tool Side Servicable Parts

AT I INDUSTRIAL AUTOMATION

1031 Goodworth Drive, Apex, NC 27539, USA
 Tel: +1 919.772.0115 Email: info@ati-ia.com
 Fax: +1 919.772.8259 www.ati-ia.com
 ISO 9001 Registered Company

PROPERTY OF AT INDUSTRIAL AUTOMATION, INC. NOT TO BE REPRODUCED IN ANY MANNER EXCEPT ON ORDER OR WITH PRIOR WRITTEN AUTHORIZATION OF AT I.

NOTES: UNLESS OTHERWISE SPECIFIED,
 DO NOT SCALE DRAWING. ALL DIMENSIONS ARE IN MILLIMETERS.

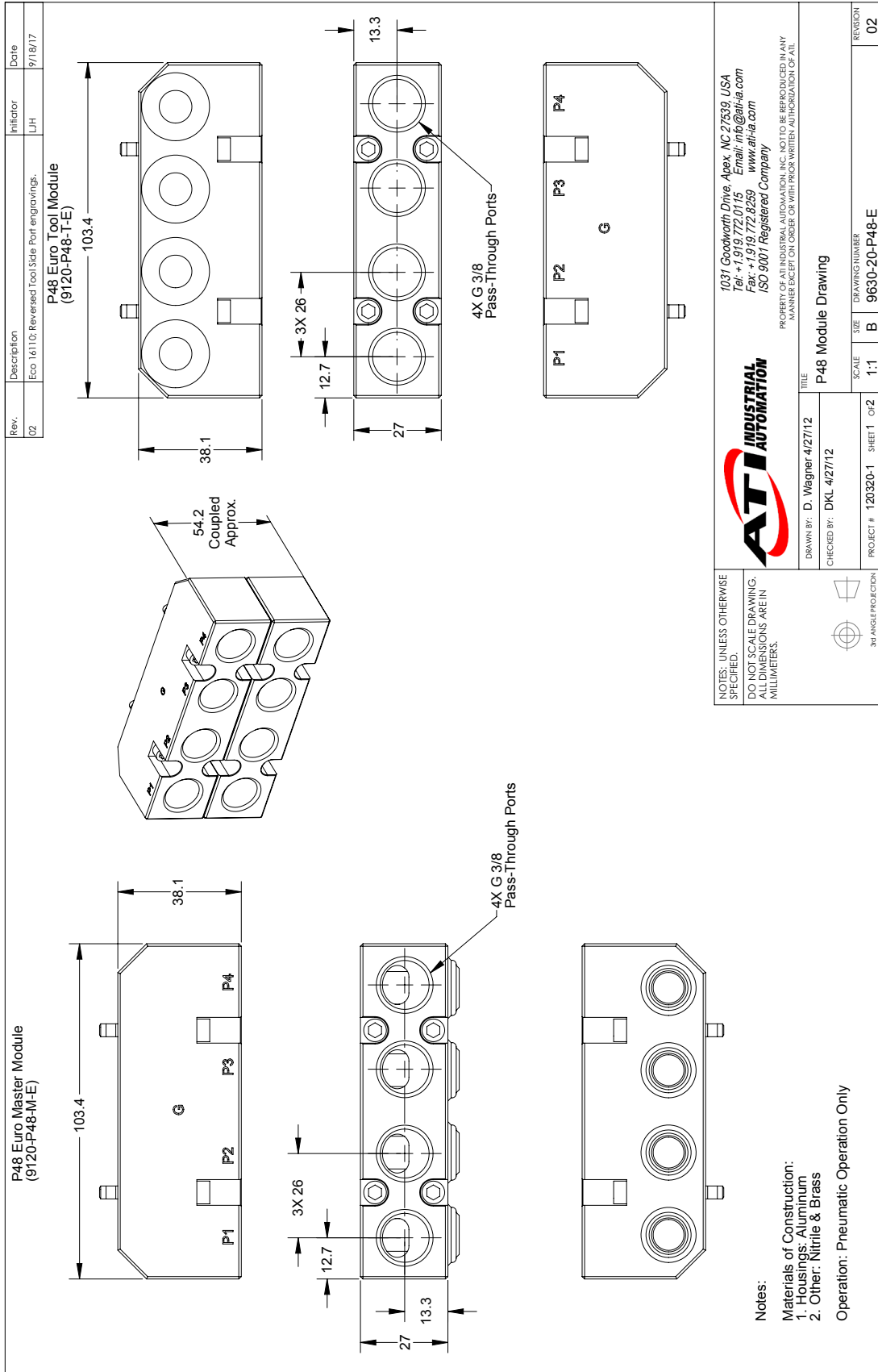
3rd ANGLE PROJECTION

DRAWN BY: D. Wagner 4/27/12
 CHECKED BY: DKL 4/27/12

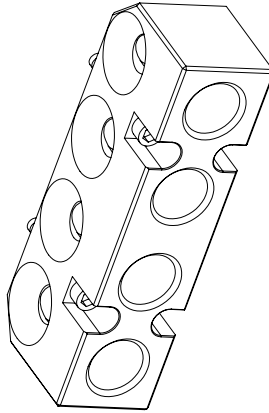
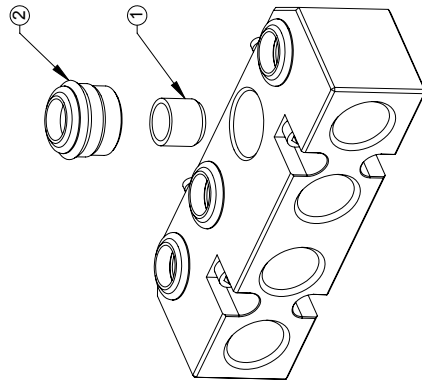
TITLE: P48 Module Drawing

SCALE: 1:1
 SIZE: B
 DRAWING NUMBER: 9630-20-P48
 PROJECT #: 120320-1 SHEET 2 OF 2

REVISION: 02



Rev.	Description	Initiator	Date
-	See Sheet 1	-	-



Master Servicable Parts

ITEM NO.	QTY.	PART NUMBER	DESCRIPTION
1	4	3700-20-2000	Collar for 3/8" Bushing
2	4	4010-000010-01	3/8" Rubber Bushing, Nitrite

No Tool Side Servicable Parts

NOTES: UNLESS OTHERWISE SPECIFIED,
 DO NOT SCALE DRAWING. ALL DIMENSIONS ARE IN MILLIMETERS.



1031 Goodworth Drive, Apex, NC 27539, USA
 Tel: +1 919.772.0115 Email: info@ati-ia.com
 Fax: +1 919.772.8259 www.ati-ia.com
 ISO 9001 Registered Company

PROPERTY OF AT INDUSTRIAL AUTOMATION, INC. NOT TO BE REPRODUCED IN ANY MANNER EXCEPT ON ORDER OR WITH PRIOR WRITTEN AUTHORIZATION OF ATI.

AT INDUSTRIAL AUTOMATION

DRAWN BY: D. Wagner 4/27/12
 CHECKED BY: DKL 4/27/12
 TITLE: P48 Module Drawing
 SCALE: 1:1
 SIZE: B
 PROJECT #: 120320-1 SHEET 2 OF 2
 DRAWING NUMBER: 9630-20-P48-E
 REVISION: 02