

No Installation and Operation Manual exists for this module. A drawing is attached.

For additional information, please refer to our catalog or contact our Sales department. We will be glad to assist you.

How to Reach Us

Sales, Service and Information about ATI products:

ATI Industrial Automation

1031 Goodworth Drive
Apex, NC 27539 USA
www.ati-ia.com
Tel: 919.772.0115
Fax: 919.772.8259
E-mail: info@ati-ia.com

Technical support and questions:

Application Engineering

Tel: 919.772.0115
Fax: 919.772.8259
E-mail: mech_support@ati-ia.com

Rev. 01	Description Initial Design	Initiator DSS	Date 3/19/2004
------------	-------------------------------	------------------	-------------------

P38 Master Module (9120-P38-M)

(4) 3/8 NPT Pass-Thru Ports
(Air/Vacuum Service)

P38 Tool Module (9120-P38-T)

(4) 3/8 NPT Pass-Thru Ports
(Air/Vacuum Service)

108 Adapter Plates

87.3
Coupled
(Approx.)

P38-T Serviceable Parts

ITEM NO.	QTY.	PART NUMBER	DESCRIPTION
1	4	4010-000010-01	3/8" Rubber Bushing, Nitrile
2	4	3700-20-2000	Collar for 3/8" Bushing

Notes:

Material of Construction:

- Housing - Anodized Aluminum
- Other - Nitrile, Brass

Operation:

- Pneumatic Operation Only.
- For optimum performance inspect mating surfaces regularly to ensure they are free of debris.
- Dimensions may vary depending on adapter plates required.

P38-M No Serviceable Parts

Notes: UNLESS OTHERWISE SPECIFIED
 DO NOT SCALE DRAWING. DRAWN IN SOLIDWORKS.
 ALL DIMENSIONS ARE IN MILLIMETERS.

ATI INDUSTRIAL AUTOMATION

1031 Goodworth Drive, Apex, NC 27539 USA
 Tel: +1.919.772.0115 Email: info@ati-ia.com
 Fax: +1.919.772.8259 www.ati-ia.com
 ISO 9001 Registered Company

DRAWN BY: D Swanson 3/19/04	TITLE: P38 Module Drawing	SCALE: 3:4	SIZE: B	DRAWING NUMBER: 9630-20-P38-01
CHECKED BY: P. Sparrow 4/9/04		WEIGHT/LBS: 1.56		
ASSEMBLY REF:		PRODUCT RELEASE # 030725-3 DATE:		

SHEET 1 OF 1

REV	1 (REV 1/07)	INITIALS	DATE	EXPIRES
01		Initial Issue	PS	12/25/2004
02		ECO 7925 Update formatting of drawing, removed mounting hardware. Added note about optional mounting hardware.	LDG	6/31/2010

P38A Master Module (9120-P38A-M)

(4) 3/8 NPT Pass-Thru Ports (Air / Vacuum Service)

P38A Tool Module (9120-P38A-T)

(4) 3/8 NPT Pass-Thru Ports (Air / Vacuum Service)

P38A-M No Serviceable Parts

P38A-T Serviceable Parts

ITEM NO	QTY	PART NUMBER	DESCRIPTION
1	4	3700-20-2000	Collar for 3/8" Bushing
2	4	4010-0000010-01	3/8" Rubber Bushing, Nitrile

Notes:

Extra mounting hardware provided for "piggy-back" applications.

Material of Construction:

- Housing - Anodized Aluminum
- Other - Nitrile, Brass

Operation:

- Pneumatic Operation Only.
- For optimum performance inspect mating surfaces regularly to ensure they are free of debris.

1031 Goodworth Drive, Apex, NC 27539, USA
 Tel: +1 919.772.0115 Email: info@ati-ia.com
 Fax: +1 919.772.8259 www.ati-ia.com
 ISO 9001 Registered Company

PROPERTY OF AT INDUSTRIAL AUTOMATION, INC. NOT TO BE REPRODUCED IN ANY MANNER EXCEPT ON ORDER OR WITH WRITTEN AUTHORIZATION OF ATI.

DRAWN BY: P. Sparrow, 10/25/04

CHECKED BY: B. Digeo, 11/1/04

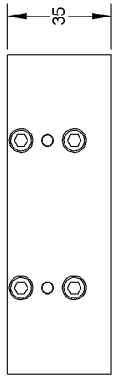
P38A Module Drawing

SCALE: 3:4 SIZE: B

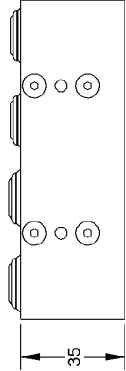
PROJECT #: 030725-3 SHEET 1 OF 1

REVISION: 02

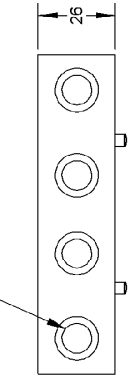
REV. 01	ISSUE Initial Issue	INITIATOR CF	DATE 3/15/2011
------------	------------------------	-----------------	-------------------



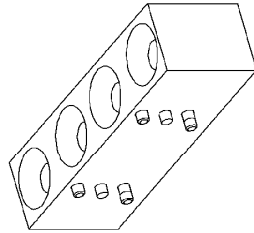
P38A Master Module
(9120-P38A-M)



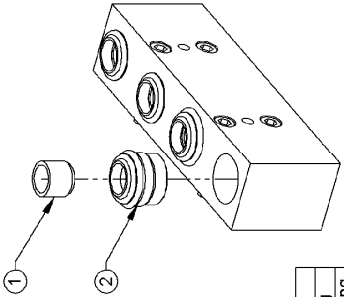
P38A Tool Module
(9120-P38A-T-V)



(4) 3/8 NPT Pass-Thru Ports
(Air / Vacuum Service)



P38A-M No Serviceable Parts



P38A-T-V Serviceable Parts

Notes:

Extra mounting hardware provided for "piggy-back" applications.

Material of Construction:


1. Housing - Anodized Aluminum
2. Other - Viton, Brass

Operation:

1. Pneumatic Operation Only.
2. For optimum performance inspect mating surfaces regularly to ensure they are free of debris.

ITEM NO.	QTY.	PART NUMBER	DESCRIPTION
1	4	3700-20-2000	Collar for 3/8" Bushing
2	4	4010-000022-01	Viton 3/8" Rubber Bushing

NOTES: UNLESS OTHERWISE SPECIFIED,
 DO NOT SCALE DRAWING.
 ALL DIMENSIONS ARE IN MILLIMETERS.



ATi INDUSTRIAL AUTOMATION

1031 Goodworth Drive, Apex, NC 27539, USA
 Tel: +1 919.772.0115 Email: info@ati-ia.com
 Fax: +1 919.772.8259 www.ati-ia.com
 ISO 9001 Registered Company

PROPERTY OF ATi INDUSTRIAL AUTOMATION, INC. NOT TO BE REPRODUCED IN ANY MANNER EXCEPT ON ORDER OR WITH WRITTEN AUTHORIZATION OF ATi.

DRAWN BY: C. Flescock, 3/15/2011	TITLE P38A Viton Module Drawing
CHECKED BY: D. Wagner, 3/15/2011	SCALE 3:4
PROJECT # 010702-1 SHEET 1 OF 1	SIZE B
	REVISION 01