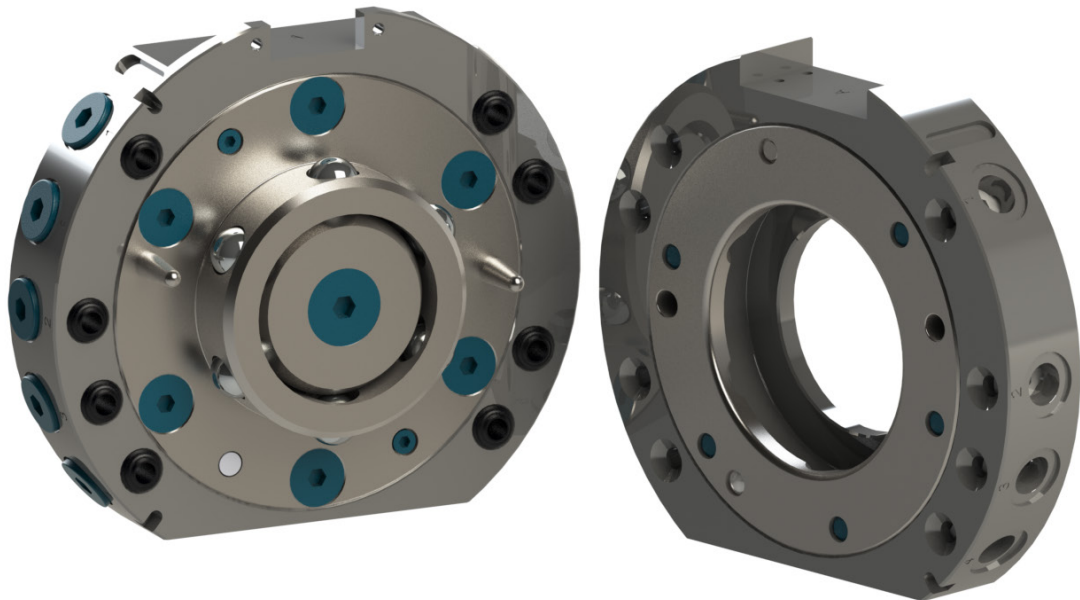




## Custom Tool Changer QC-60ZW17

### Manual Addendum

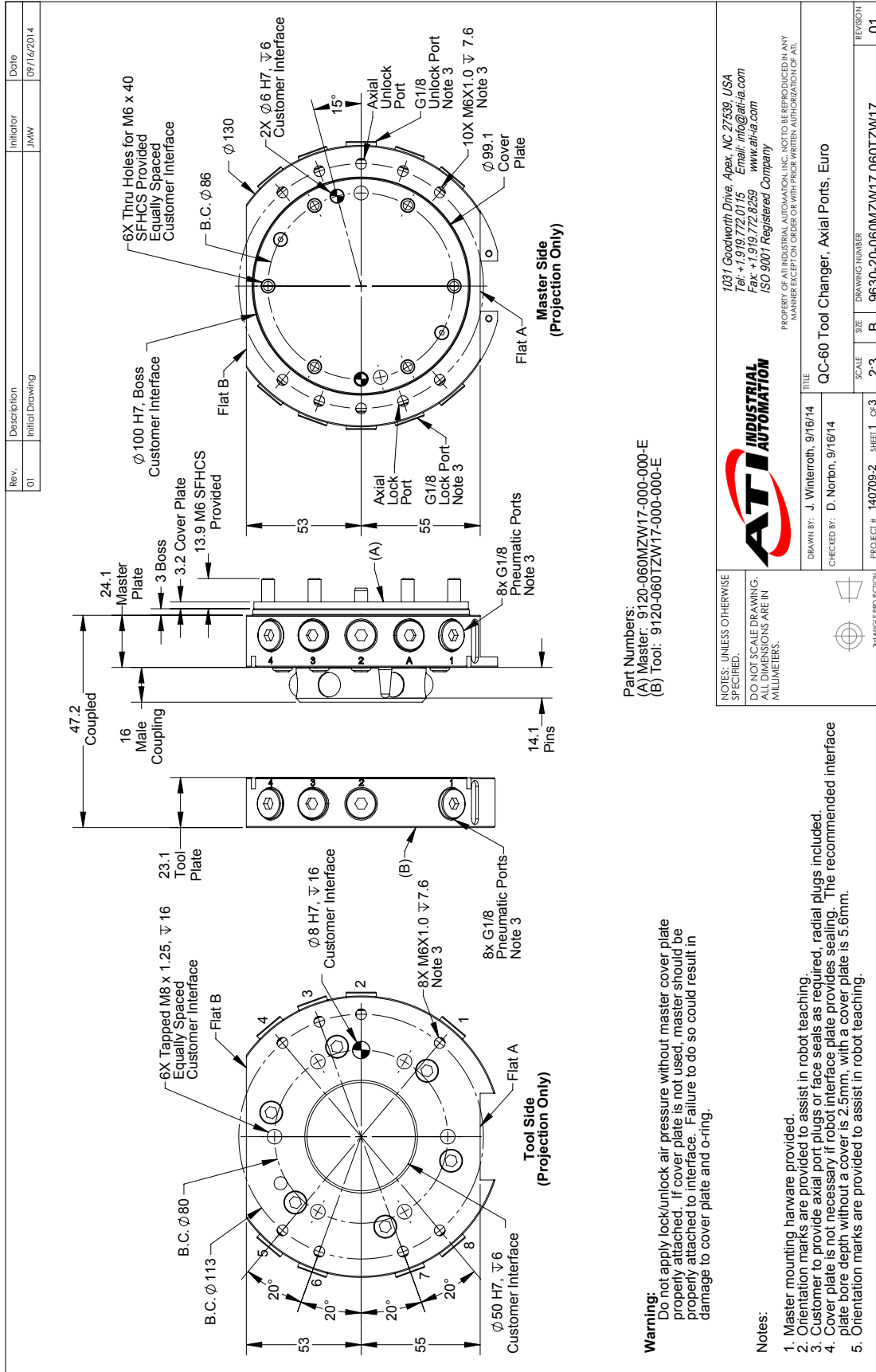
To be sent with 9610-20-2255 Installation and Operation Manual






**Document #: 9610-20-3147**

***Engineered Products for Robotic Productivity***

Pinnacle Park • 1031 Goodworth Drive • Apex, NC 27539 USA • Tel: 919.772.0115 • Fax: 919.772.8259 • [www.ati-ia.com](http://www.ati-ia.com) • Email: [info@ati-ia.com](mailto:info@ati-ia.com)



Rev. - Description See Sheet 1	Initiator - Date -	<h2 style="margin: 0;">QC-60MZW17 Master Assembly</h2>
NOTES: UNLESS OTHERWISE SPECIFIED, DO NOT SCALE DRAWING. ALL DIMENSIONS ARE IN MILLIMETERS.		<p style="text-align: center;"><b>ATI INDUSTRIAL AUTOMATION</b></p> <p>1031 Goodworth Drive, Apex, NC 27539 USA                  Tel: +1 919 772 0115 Email: info@ati-ia.com                  Fax: +1 919 772 8259 www.ati-ia.com                  ISO 9001 Registered Company</p> <p style="font-size: small;">PROPERTY OF ATI INDUSTRIAL AUTOMATION, INC. NOT TO BE REPRODUCED IN ANY MANNER EXCEPT IN ORDER OR WITH PRIOR WRITTEN AUTHORIZATION OF ATI.</p>
DRAWN BY: J. Winterroth, 9/16/14 CHECKED BY: D. Norton, 9/16/14		TITLE <b>QC-60 Tool Changer, Axial Ports, Euro</b>
PROJECT # 140709-2 SHEET 2 OF 3		SCALE 1:2 DRAWING NUMBER B REVISION 01

<table border="1" style="width: 100%; border-collapse: collapse;"> <tr> <td style="width: 50%;">Rev.</td> <td style="width: 30%;">Description</td> <td style="width: 10%;">Initiator</td> <td style="width: 5%;">Date</td> </tr> <tr> <td style="text-align: center;">-</td> <td style="text-align: center;">See sheet1</td> <td style="text-align: center;">-</td> <td style="text-align: center;">-</td> </tr> </table>	Rev.	Description	Initiator	Date	-	See sheet1	-	-	<p><b>QC-60TZW17 Tool Assembly</b></p>	<div style="text-align: center;">  </div> <p style="font-size: small;">1031 Goodworth Drive, Apex, NC 27539 USA                  Tel: +1 919 772 0115 Email: info@ati-ia.com                  Fax: +1 919 772 8259 www.ati-ia.com                  ISO 9001 Registered Company</p> <p style="font-size: x-small;">PROPERTY OF ATI INDUSTRIAL AUTOMATION, INC. NOT TO BE REPRODUCED IN ANY MANNER EXCEPT IN ORDER OR WITH PRIOR WRITTEN AUTHORIZATION OF ATI.</p>								
Rev.	Description	Initiator	Date															
-	See sheet1	-	-															
<p>NOTES: UNLESS OTHERWISE SPECIFIED,                  DO NOT SCALE DRAWING.                  ALL DIMENSIONS ARE IN MILLIMETERS.</p> <div style="display: flex; justify-content: space-around;">   </div> <p style="font-size: x-small;">3rd ANGLE PROJECTION</p>		<table border="1" style="width: 100%; border-collapse: collapse;"> <tr> <td colspan="2" style="text-align: center;">TITLE</td> </tr> <tr> <td style="width: 50%;">DRAWN BY: J. Winterroth, 9/16/14</td> <td style="width: 50%;">QC-60 Tool Changer, Axial Ports, Euro</td> </tr> <tr> <td>CHECKED BY: D. Norton, 9/16/14</td> <td></td> </tr> <tr> <td>PROJECT # 140709-2</td> <td style="text-align: right;">DRAWING NUMBER</td> </tr> <tr> <td style="text-align: right;">SHEET 3 OF 3</td> <td style="text-align: right;">9630-20-060MZM17 060TZW17</td> </tr> <tr> <td style="text-align: right;">SCALE</td> <td style="text-align: right;">REVISION</td> </tr> <tr> <td style="text-align: right;">1:2</td> <td style="text-align: right;">B</td> </tr> <tr> <td style="text-align: right;">SIZE</td> <td style="text-align: right;">01</td> </tr> </table>	TITLE		DRAWN BY: J. Winterroth, 9/16/14	QC-60 Tool Changer, Axial Ports, Euro	CHECKED BY: D. Norton, 9/16/14		PROJECT # 140709-2	DRAWING NUMBER	SHEET 3 OF 3	9630-20-060MZM17 060TZW17	SCALE	REVISION	1:2	B	SIZE	01
TITLE																		
DRAWN BY: J. Winterroth, 9/16/14	QC-60 Tool Changer, Axial Ports, Euro																	
CHECKED BY: D. Norton, 9/16/14																		
PROJECT # 140709-2	DRAWING NUMBER																	
SHEET 3 OF 3	9630-20-060MZM17 060TZW17																	
SCALE	REVISION																	
1:2	B																	
SIZE	01																	