

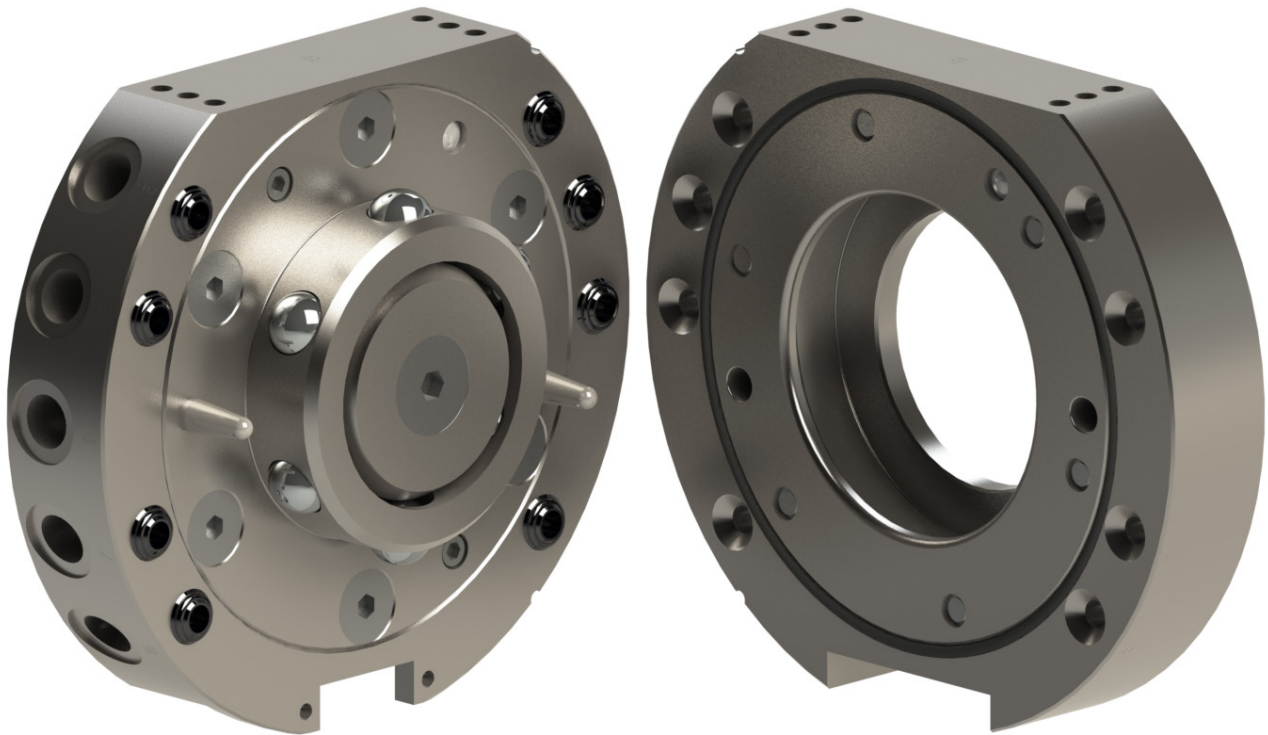


Quick-Change
QC-060MZB1F1H4T1U1 - 060TZF1H4T1U1W2A

Custom Tool Changer

Manual Addendum

To be sent with 9610-20-2255 Installation and Operation Manual

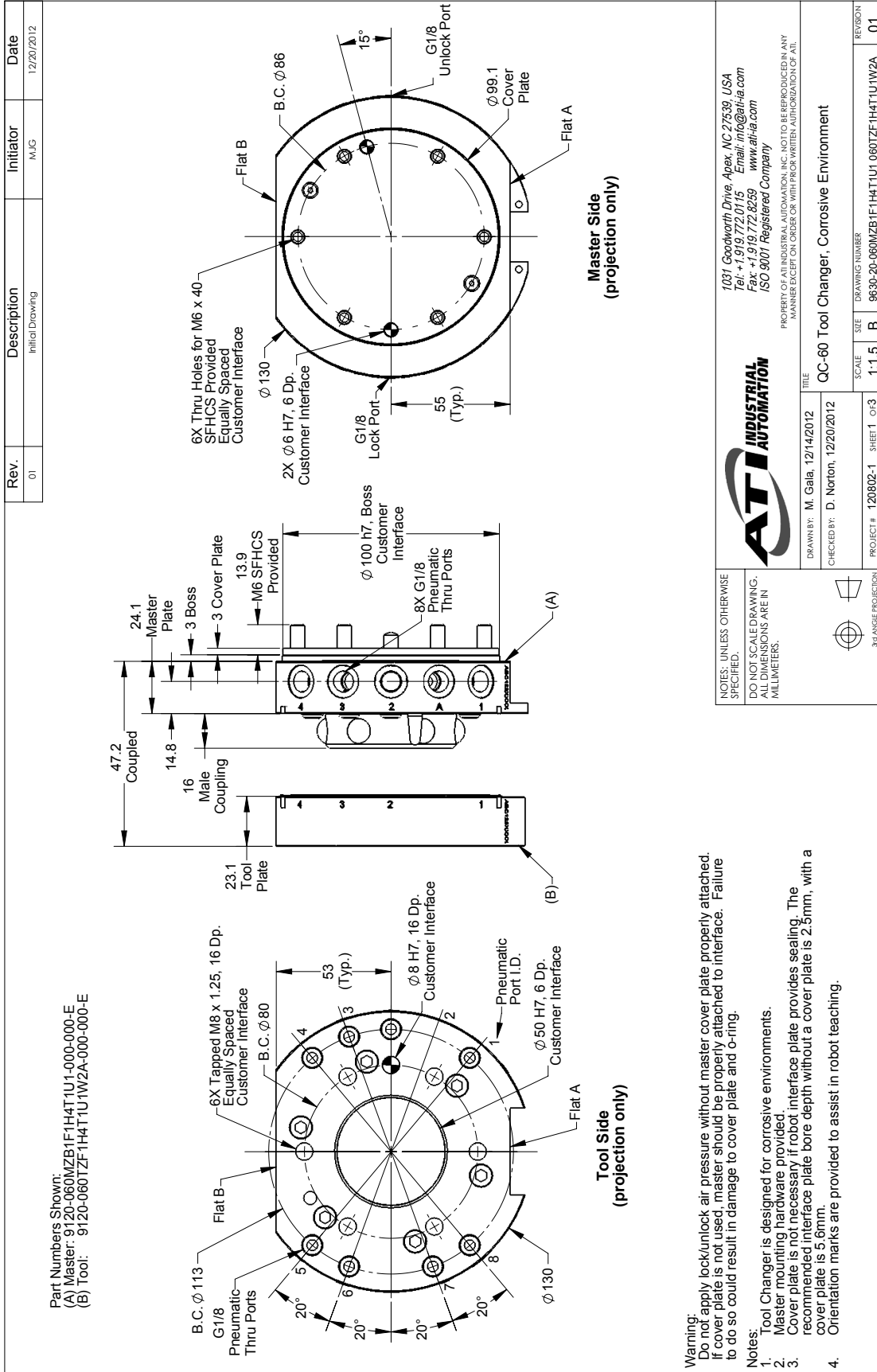


Document #: 9610-20-2620

June 2015

Engineered Products for Robotic Productivity

Pinnacle Park • 1031 Goodworth Drive • Apex, NC 27539 USA • Tel: 919.772.0115 • Fax: 919.772.8259 • www.ati-ia.com • Email: info@ati-ia.com



<table border="1" style="width: 100%; border-collapse: collapse;"> <tr> <td style="width: 30%;">Rev.</td> <td style="width: 30%;">Description See Sheet 1</td> <td style="width: 20%;">Initiator</td> <td style="width: 20%;">Date</td> </tr> <tr> <td> </td> <td> </td> <td> </td> <td> </td> </tr> </table>	Rev.	Description See Sheet 1	Initiator	Date					<p>QC-60MZB1F1H4T1U1 Master Assembly</p>	<p style="font-size: small;"> NOTES: UNLESS OTHERWISE SPECIFIED, DO NOT SCALE DRAWING. ALL DIMENSIONS ARE IN MILLIMETERS. </p> <p style="text-align: center;"> 3/4 ANGLE PROJECTION </p> <p style="text-align: center;"> ATI INDUSTRIAL AUTOMATION </p> <p style="font-size: x-small;"> 1031 Goodworth Drive, Apex, NC 27539, USA Tel: +1 919.772.0115 Email: info@ati-ia.com Fax: +1 919.772.8259 www.ati-ia.com ISO 9001 Registered Company </p> <p style="font-size: x-small;"> PROPERTY OF ATI INDUSTRIAL AUTOMATION, INC. NOT TO BE REPRODUCED IN ANY MANNER EXCEPT ON ORDER OR WITH PRIOR WRITTEN AUTHORIZATION OF AFI. </p> <table border="1" style="width: 100%; border-collapse: collapse; font-size: x-small;"> <tr> <td style="width: 30%;">DRAWN BY: M. Gaba, 12/14/2012</td> <td style="width: 30%;">TITLE: QC-60 Tool Changer, Corrosive Environment</td> <td style="width: 20%;">SCALE: 1:2</td> <td style="width: 20%;">REVISION: 01</td> </tr> <tr> <td>CHECKED BY: D. Norton, 12/20/2012</td> <td>PROJECT # 120802-1</td> <td>DRAWING NUMBER: 9630-20-060MZB1F1H4T1U1 060TZF1H4T1U1W2A</td> <td></td> </tr> <tr> <td></td> <td>SHEET 2 OF 3</td> <td></td> <td></td> </tr> </table>	DRAWN BY: M. Gaba, 12/14/2012	TITLE: QC-60 Tool Changer, Corrosive Environment	SCALE: 1:2	REVISION: 01	CHECKED BY: D. Norton, 12/20/2012	PROJECT # 120802-1	DRAWING NUMBER: 9630-20-060MZB1F1H4T1U1 060TZF1H4T1U1W2A			SHEET 2 OF 3		
Rev.	Description See Sheet 1	Initiator	Date																			
DRAWN BY: M. Gaba, 12/14/2012	TITLE: QC-60 Tool Changer, Corrosive Environment	SCALE: 1:2	REVISION: 01																			
CHECKED BY: D. Norton, 12/20/2012	PROJECT # 120802-1	DRAWING NUMBER: 9630-20-060MZB1F1H4T1U1 060TZF1H4T1U1W2A																				
	SHEET 2 OF 3																					

Rev.	Description See Sheet 1	Initiator	Date
-		-	-

QC-60TZF1H4T1U1W2A Tool Assembly

INDUSTRIAL AUTOMATION

1031 Goodworth Drive, Apex, NC 27539, USA
 Tel: +1 919.772.0115 Email: info@ati-ia.com
 Fax: +1 919.772.8259 www.ati-ia.com
 ISO 9001 Registered Company

PROPERTY OF AT INDUSTRIAL AUTOMATION, INC. NOT TO BE REPRODUCED IN ANY MANNER EXCEPT ON ORDER OR WITH PRIOR WRITTEN AUTHORIZATION OF A.I.

PROJECT # 120802-1 SHEET 3 OF 3

DRAWN BY: M. Galt, 12/14/2012
 CHECKED BY: D. Norton, 12/20/2012

TITLE: QC-60 Tool Changer, Corrosive Environment

SCALE: 1:2
 DRAWING NUMBER: 9630-20-060MZB1F1H4T1U1 060TZF1H4T1U1W2A

REVISION: 01