

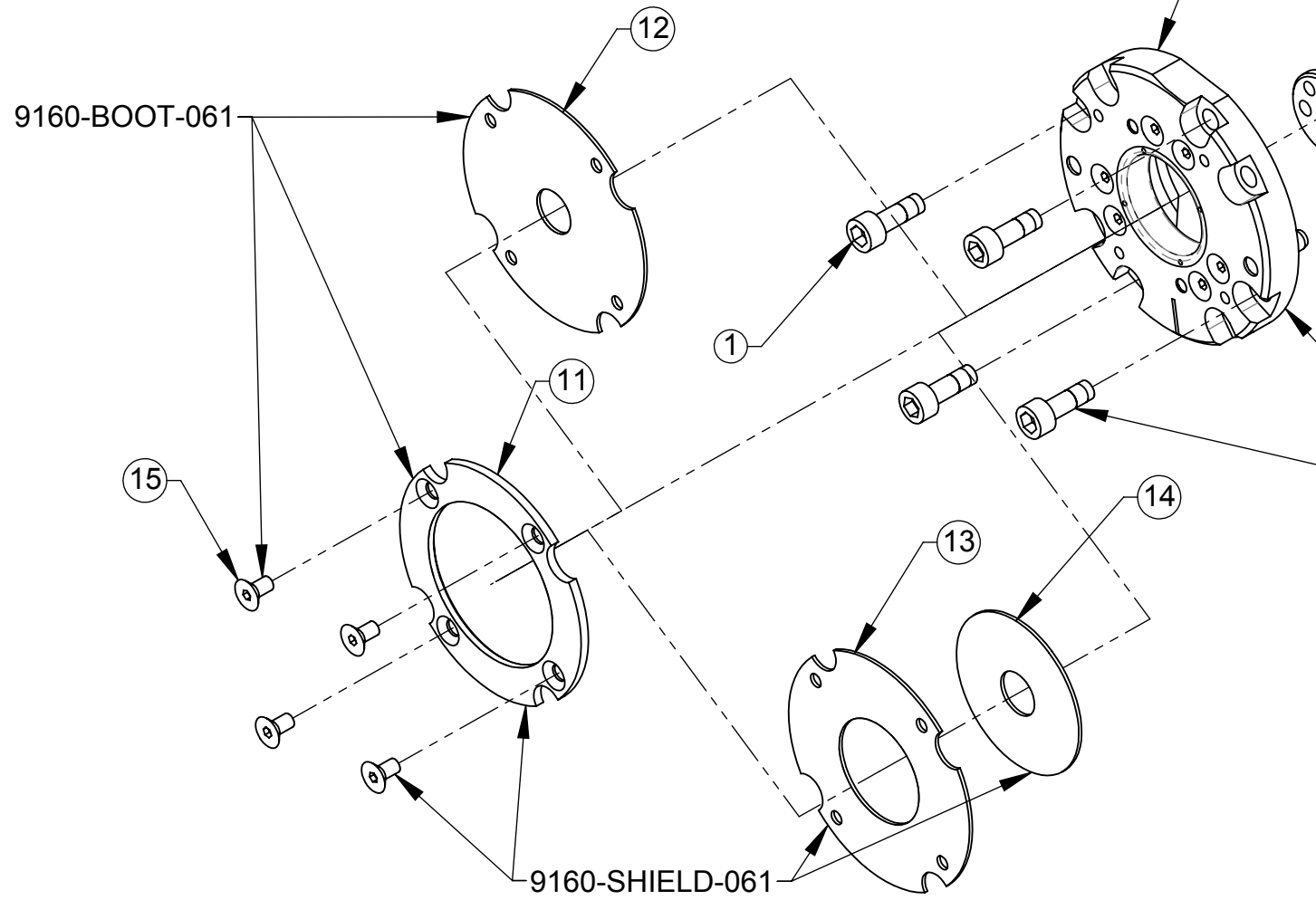
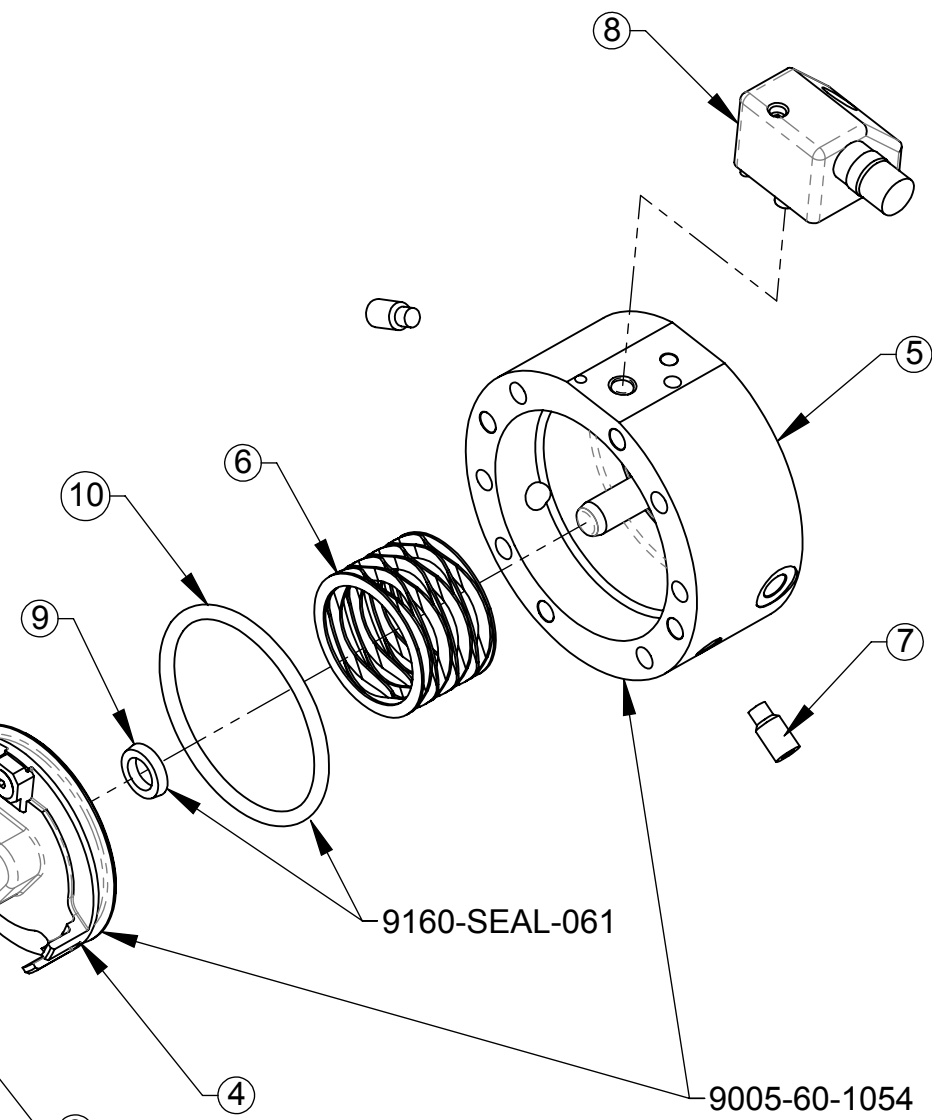
ITEM NO.	QTY	PART NUMBER	DESCRIPTION
1	4	3500-1062012-15A	M4 x12 SHCS, Blue Dyed Magni-565, ND Microspheres
2	1	9160-STEMCOVKIT-061 *	Cover Plate, Sub-Assembly
3	1	NSS (included in item 2)	Stem, Sub-Assembly
4	1	9005-60-1054	Piston, SR-61
5	1	NSS (included in item 4)	SR-061 Body (Improved Switch Version)
6	1	3610-7801800-20 3610-7802000-20 3610-7801800-21	Wave Spring, P05 Wave Spring, P10 Wave Spring, P15
7	2	3500-1964010-15	M5 x 10 Dog Point Setscrew Black Oxide
8	1	9160-SENSOR-061-2 **	Switch Assembly, SR-061
9	1	9160-SEAL-061	Seal, 0.38 O.D. x 0.25 I.D.
10	1	NSS(included in item 9)	O-ring, 1.487 ID x .103W
11	1	3700-60-1477	Boot Retainer, SR-61
12	1	3700-60-1478	Boot, SR-061
13	1	3700-60-1506	Weld Shield, SR-061
14	1	3700-60-1507	EPDM Seal, SR-61
15	4	3500-1258006-21	M3 x 6mm SFHCS Metric Blue with Microspheres

Rev.	Description	Initiator	Date
02	Eco 13629; Updated to show new target switch.	LJH	5/24 /16

NSS - NOT SOLD SEPERATELY

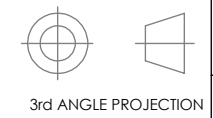
* FOR UNITS WITH GREY COVERS ADD "-S" TO END OF KIT NUMBER.

** FOR UNITS WITH NPN SWITCHES (MODEL NUMBER ENDING IN "S1") ADD "-S1" TO END OF KIT NUMBER.



NOTES: UNLESS OTHERWISE SPECIFIED.

DO NOT SCALE DRAWING. ALL DIMENSIONS ARE IN MILLIMETERS.



1031 Goodworth Drive, Apex, NC 27539, USA
 Tel: +1.919.772.0115 Email: info@ati-ia.com
 Fax: +1.919.772.8259 www.ati-ia.com
 ISO 9001 Registered Company

PROPERTY OF ATI INDUSTRIAL AUTOMATION, INC. NOT TO BE REPRODUCED IN ANY MANNER EXCEPT ON ORDER OR WITH PRIOR WRITTEN AUTHORIZATION OF ATI.

DRAWN BY: D. Wagner 7/23/14		TITLE	
CHECKED BY: DSS 8/21/14		SR-61 Collision Sensor Assembly	
PROJECT # 130619-1	SHEET 1 OF 1	SCALE 3:4	SIZE B
DRAWING NUMBER 9230-60-1181		REVISION 02	