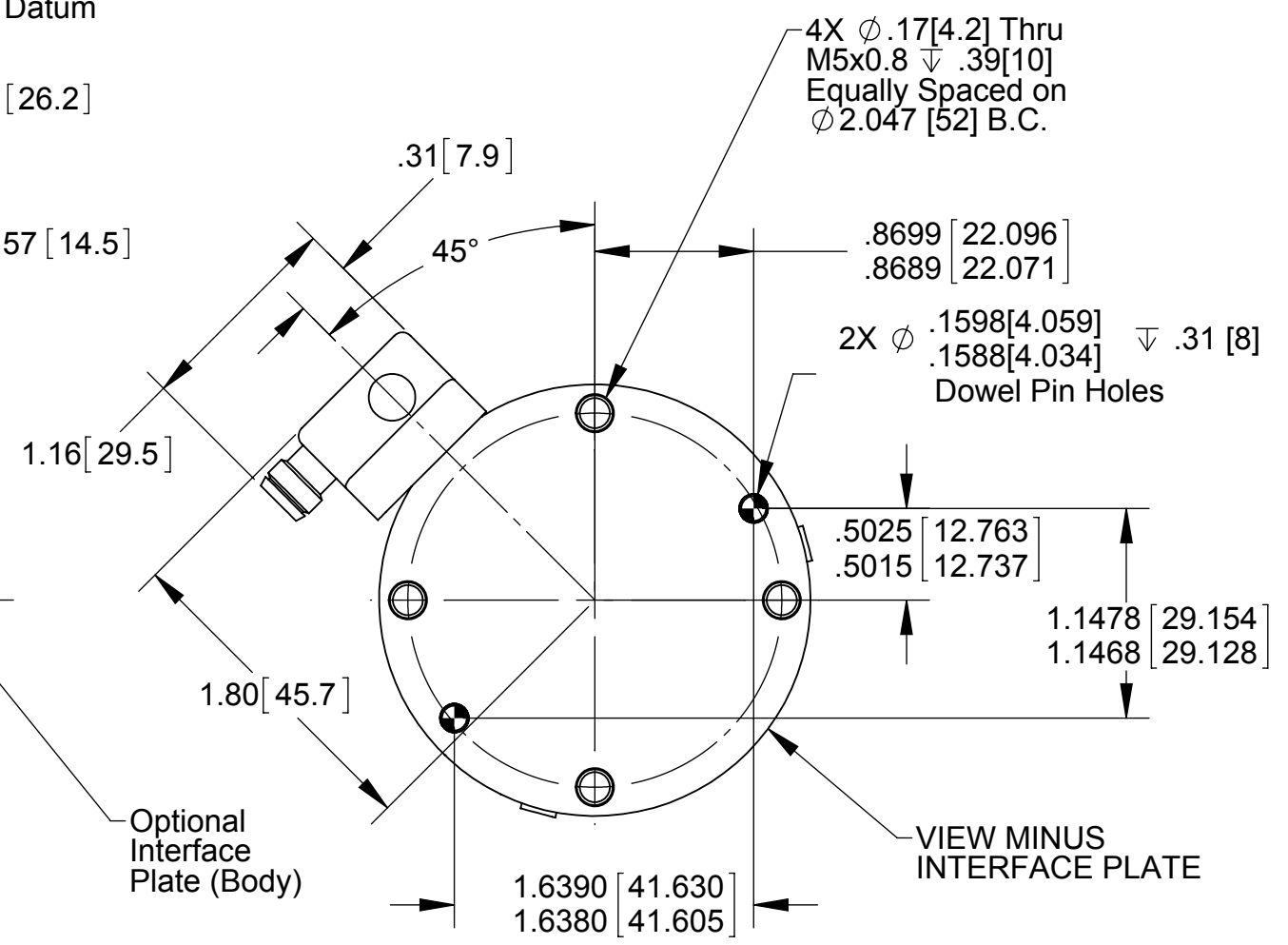
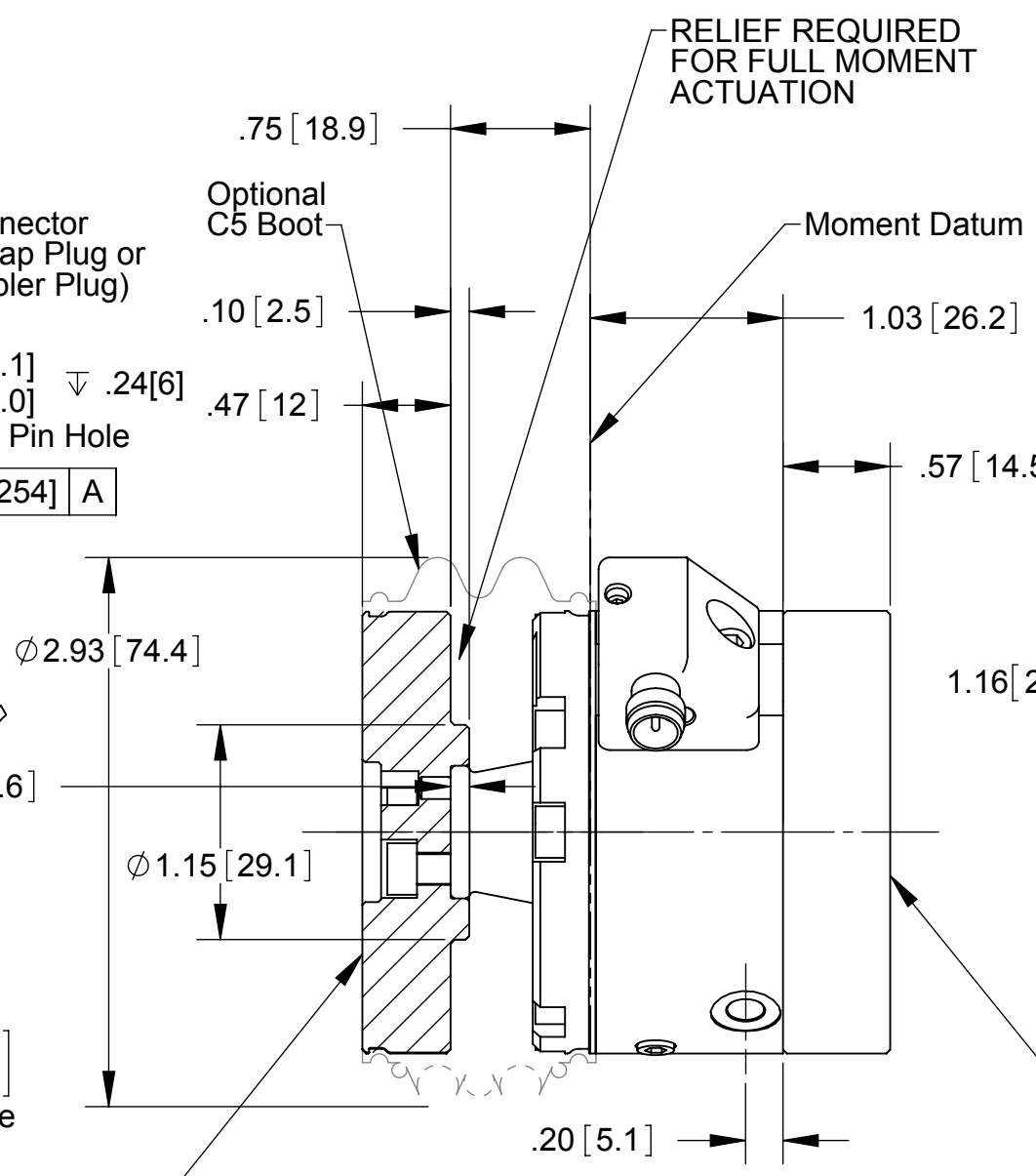
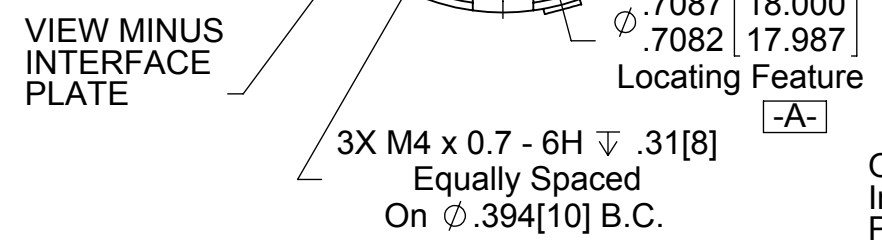
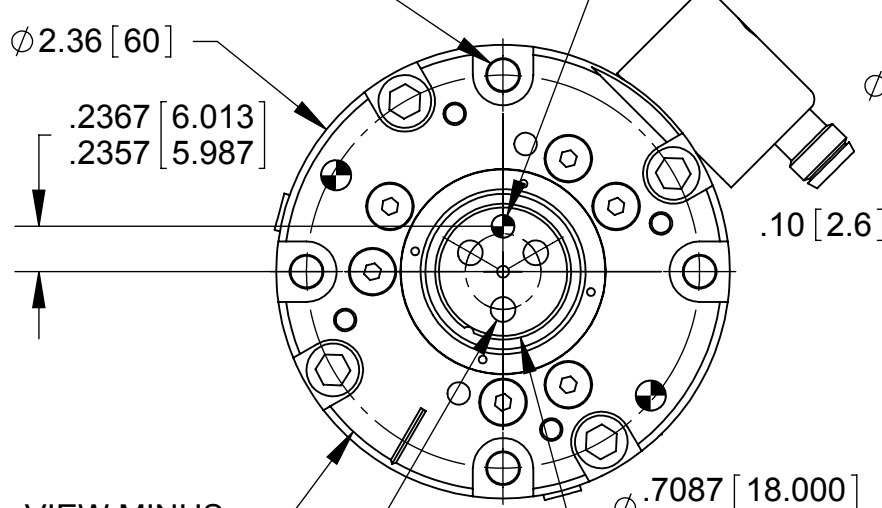
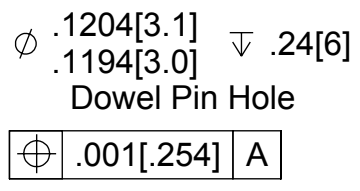
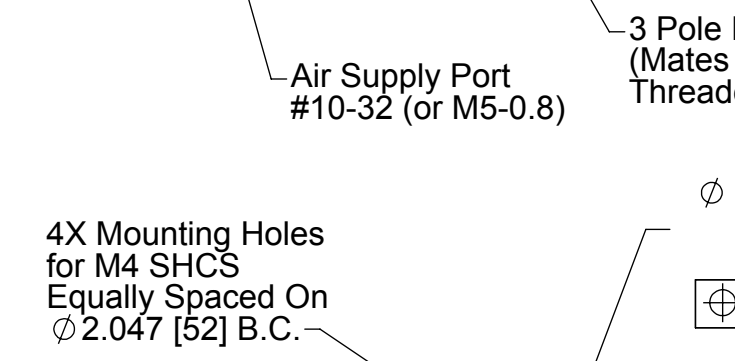
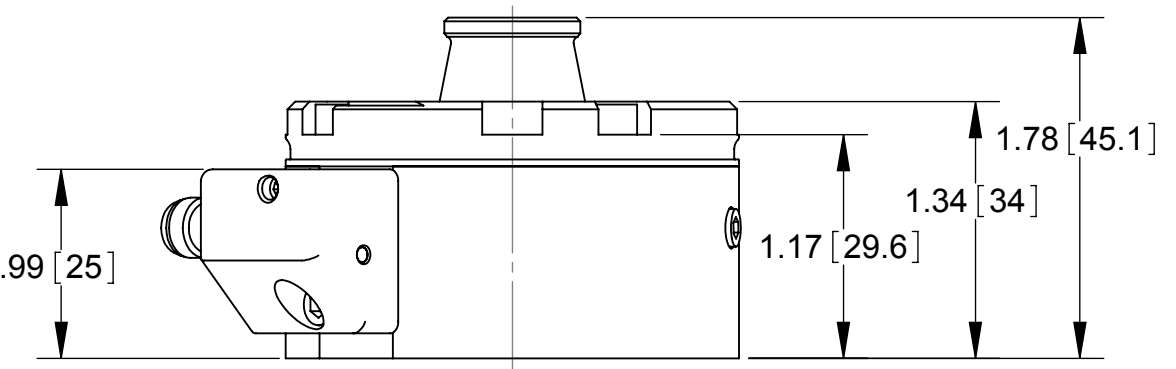
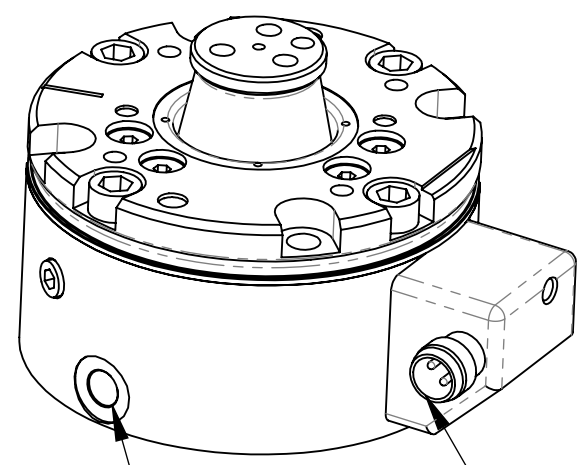
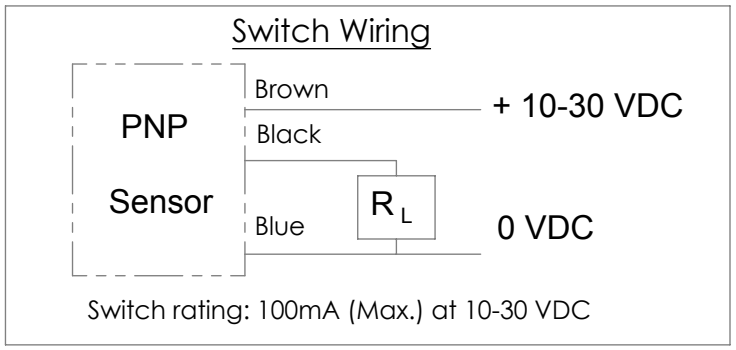


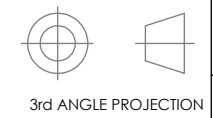
Rev.	Description	Initiator	Date
01	ECO-12643; Initial Drawing	DAW	7/23/2014



- THREE OPTIONS FOR FABRICATION OF INTERFACE PLATES:
- 1) MODIFY THE ATI OPTIONAL INTERFACE PLATES.
 - 2) PROVIDE YOUR INTERFACE PATTERN TO ATI AND WE WILL MODIFY THE BLANK INTERFACE PLATES OR DESIGN AND MACHINE CUSTOM INTERFACE PLATES.
 - 3) DESIGN AND FABRICATE YOUR OWN.

NOTES: UNLESS OTHERWISE SPECIFIED.

DO NOT SCALE DRAWING. ALL DIMENSIONS ARE IN MILLIMETERS.



ATI INDUSTRIAL AUTOMATION

1031 Goodworth Drive, Apex, NC 27539, USA
 Tel: +1.919.772.0115 Email: info@ati-ia.com
 Fax: +1.919.772.8259 www.ati-ia.com
 ISO 9001 Registered Company

PROPERTY OF ATI INDUSTRIAL AUTOMATION, INC. NOT TO BE REPRODUCED IN ANY MANNER EXCEPT ON ORDER OR WITH PRIOR WRITTEN AUTHORIZATION OF ATI.

DRAWN BY: D. Wagner 7/23/14		TITLE	
CHECKED BY: DSS 8/21/14		SR-61 Collision Sensor	
PROJECT # 130619-1	SHEET 1 OF 1	SCALE 1:1	SIZE B
		DRAWING NUMBER	REVISION
		9230-60-1180	01