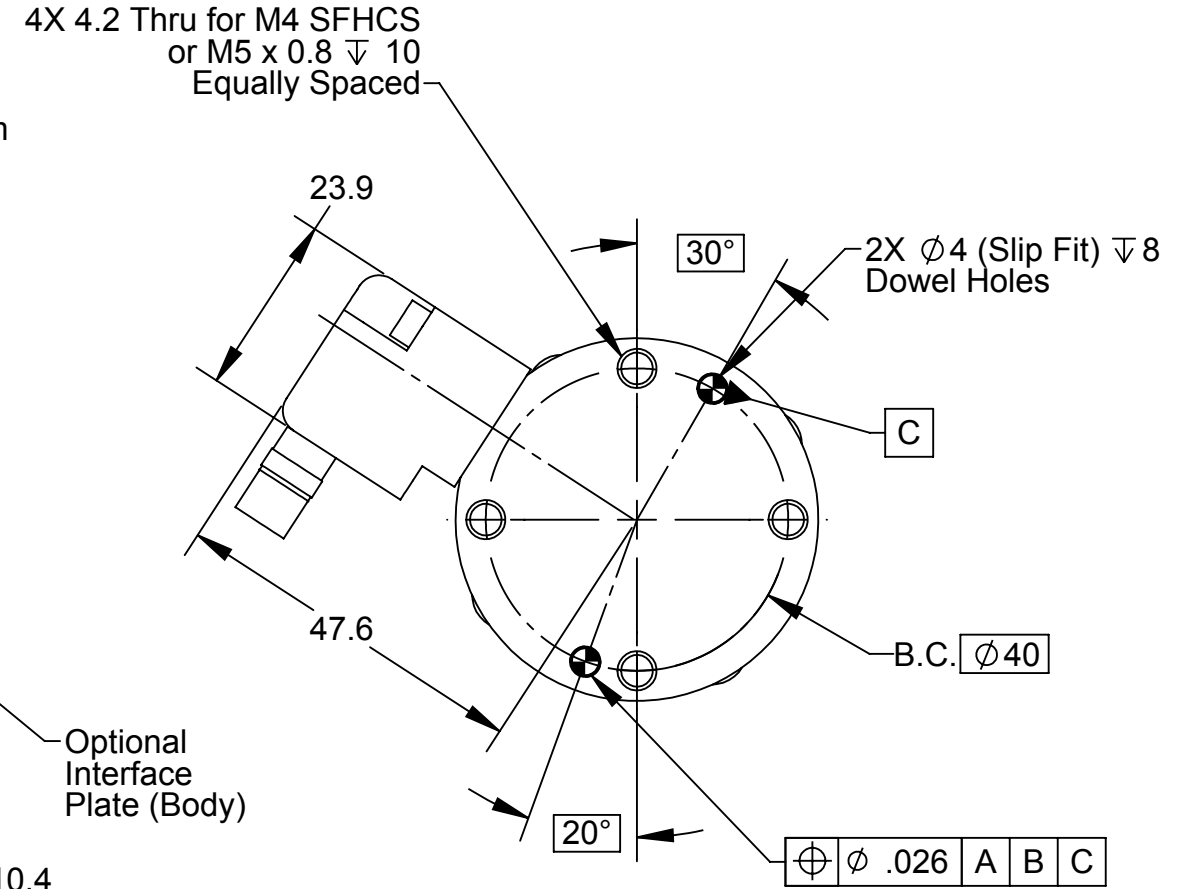
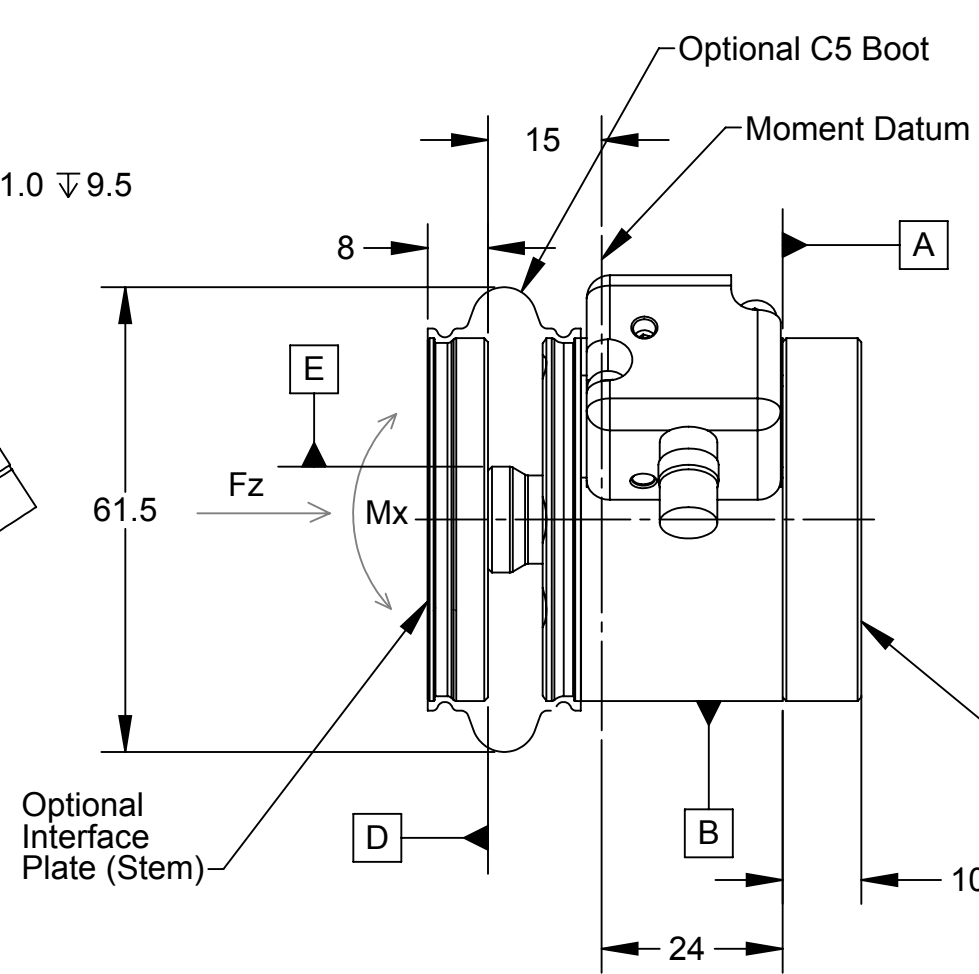
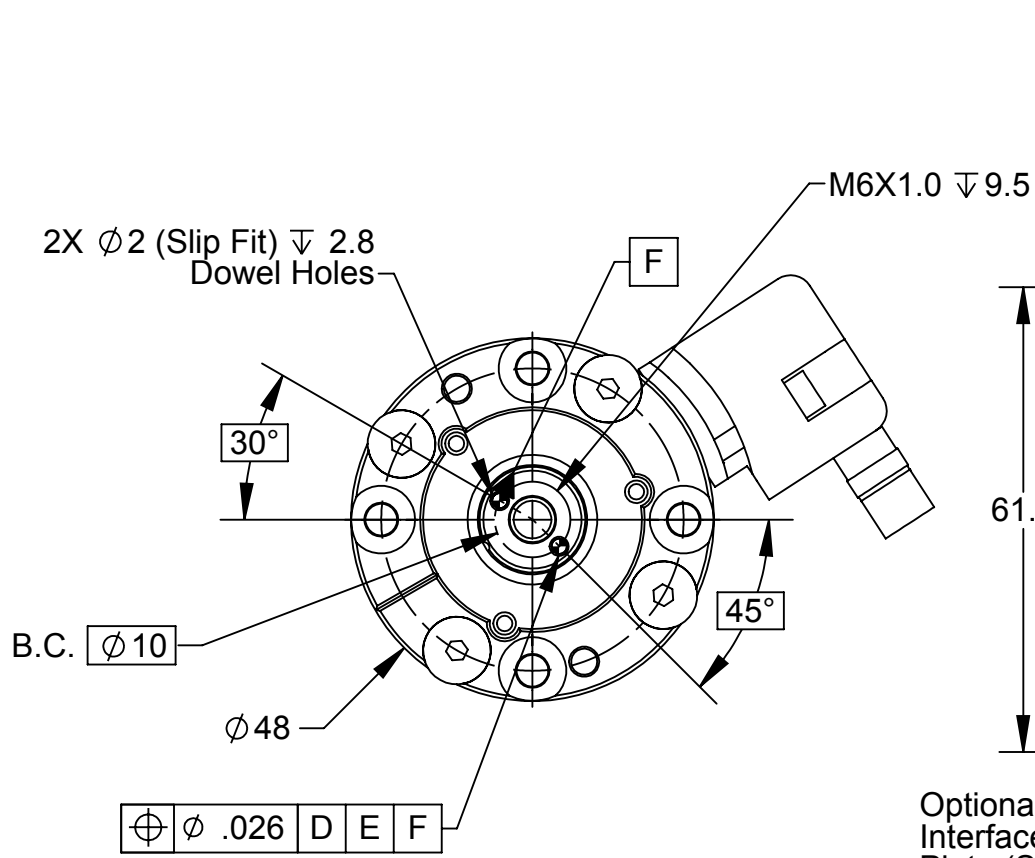
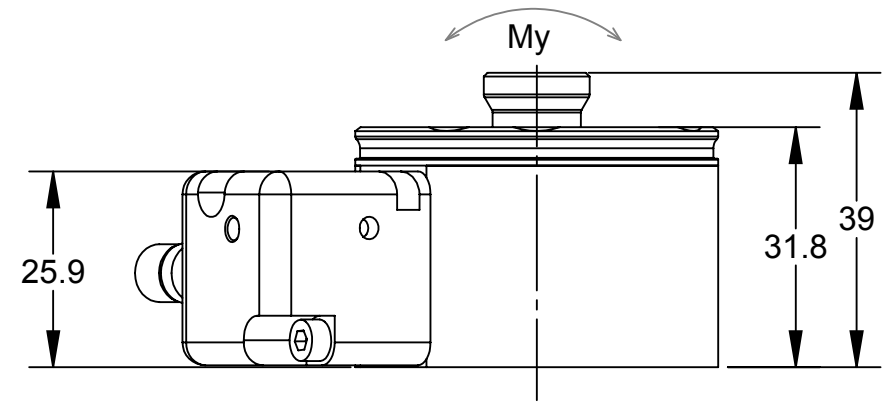
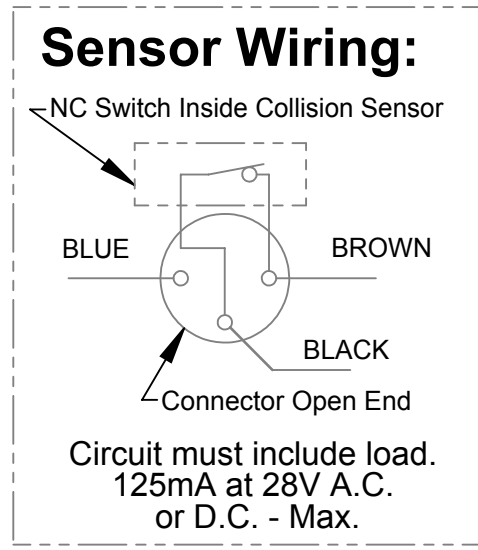
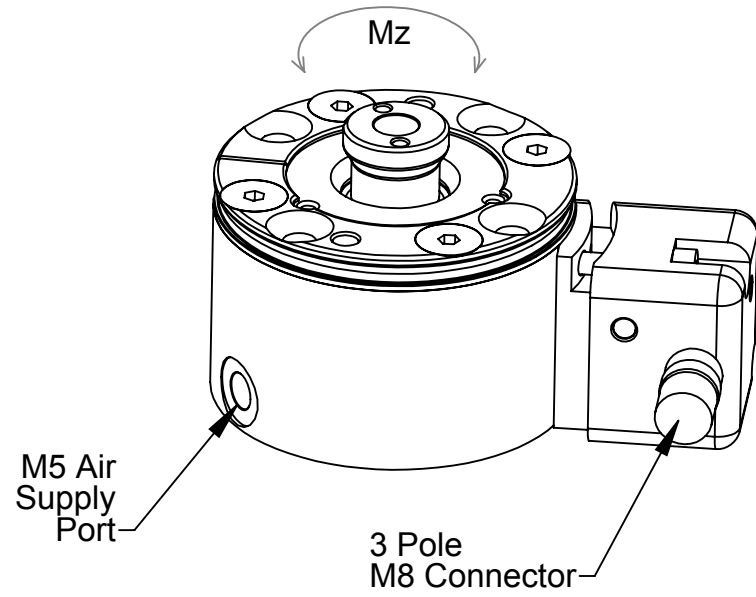
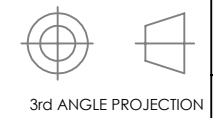


Rev.	Description	Initiator	Date
03	ECO 18284; M5 X .8 was M5 X .45	MLS	9/7/2019



NOTES: UNLESS OTHERWISE SPECIFIED.

DO NOT SCALE DRAWING. ALL DIMENSIONS ARE IN MILLIMETERS.



1031 Goodworth Drive, Apex, NC 27539, USA
Tel: +1.919.772.0115 Email: info@ati-ia.com
Fax: +1.919.772.8259 www.ati-ia.com
ISO 9001 Registered Company

PROPERTY OF ATI INDUSTRIAL AUTOMATION, INC. NOT TO BE REPRODUCED IN ANY MANNER EXCEPT ON ORDER OR WITH PRIOR WRITTEN AUTHORIZATION OF ATI.

DRAWN BY: D. Wagner, 10/11/12		TITLE	
CHECKED BY: M. Gloden, 10/11/12		SR-48 Collision Sensor Assembly	
PROJECT # 101217-3	SHEET 1 OF 1	SCALE 1:1	SIZE B
		DRAWING NUMBER 9230-60-1167	REVISION 03