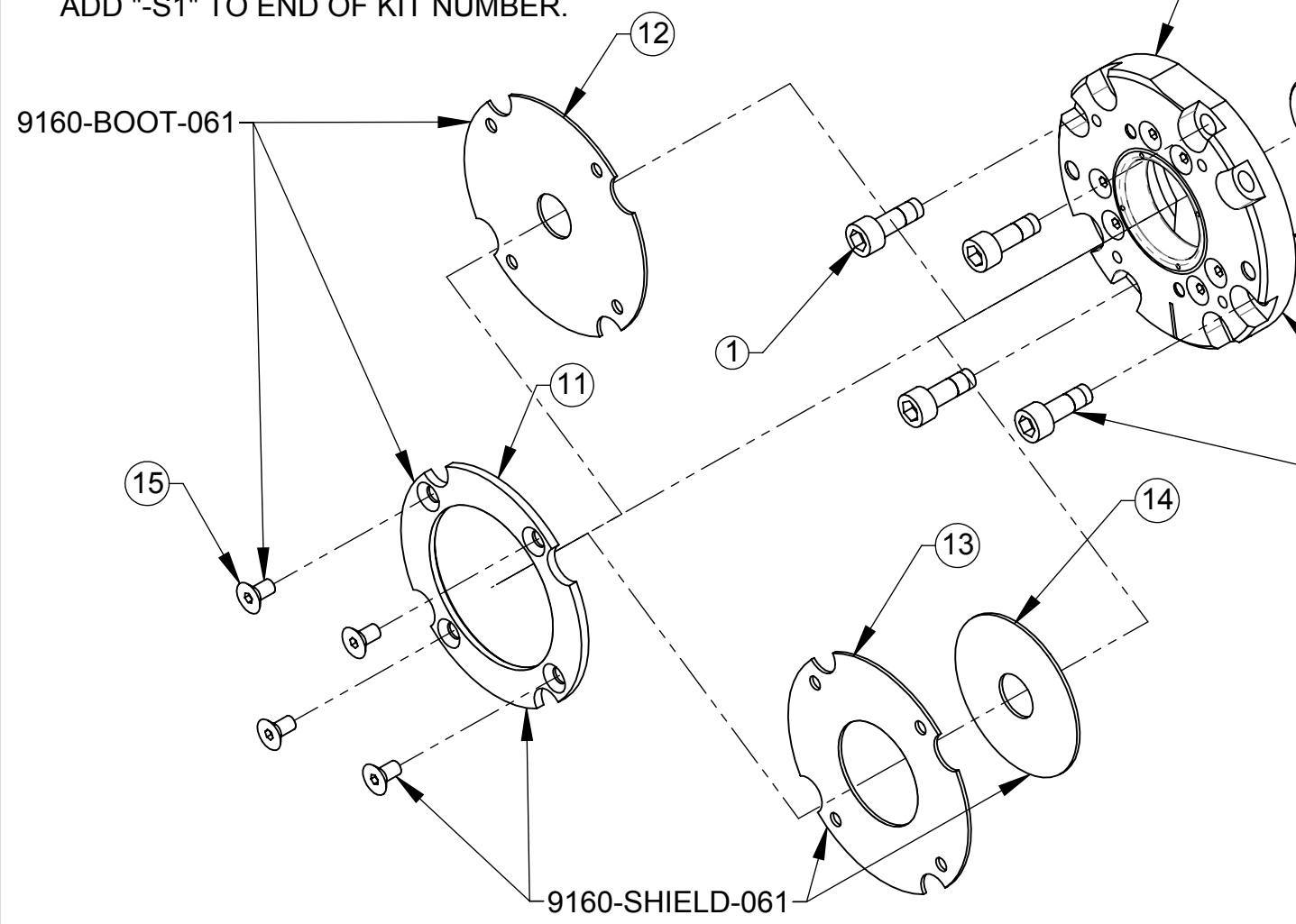
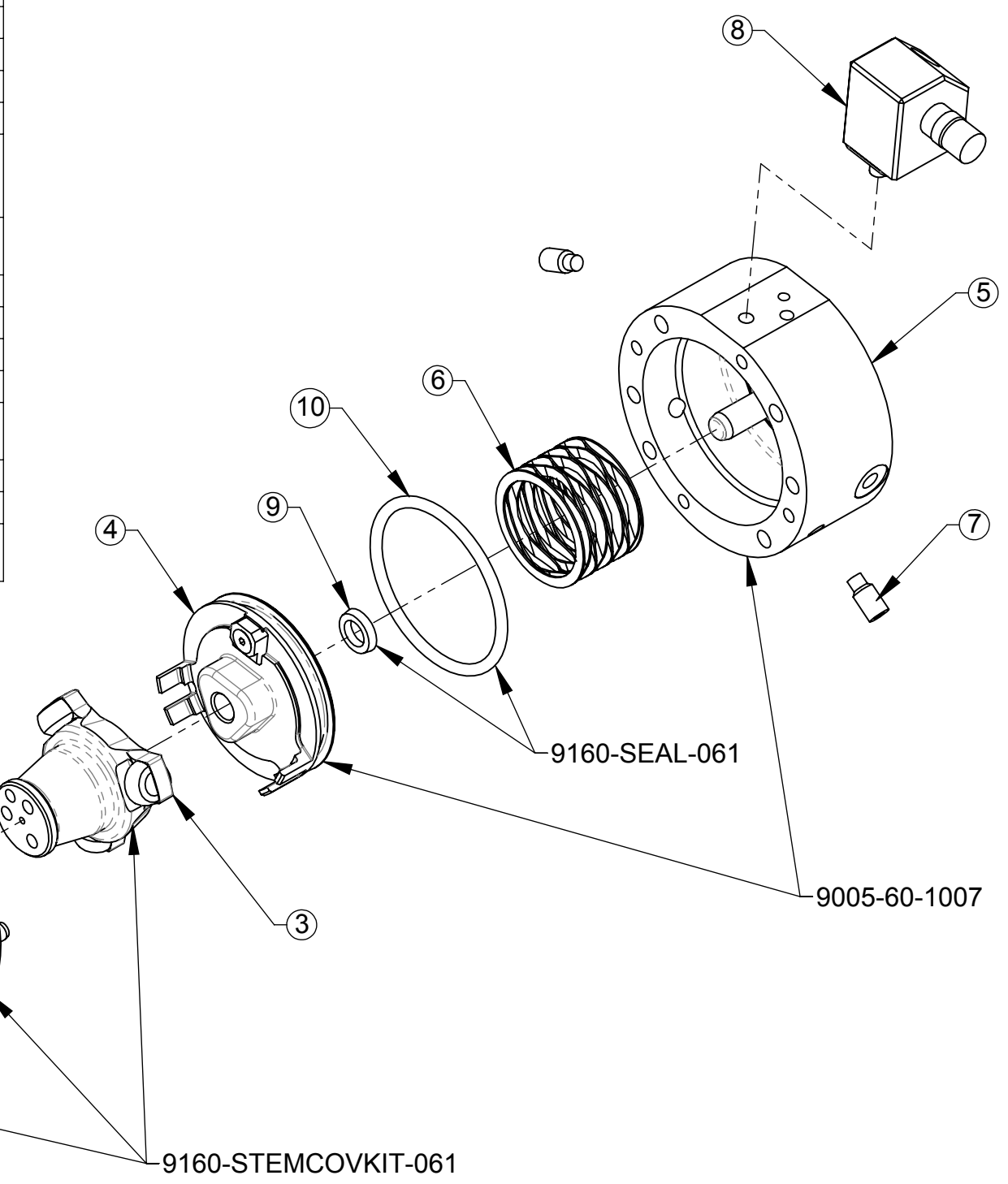


Rev.	Description	Initiator	Date
04	Eco 13629; Updated to show new target switch.	LJH	5/24/16

ITEM NO.	QTY	PART NUMBER	DESCRIPTION
1	4	3500-1062012-15A	M4 x12 SHCS, Blue Dyed Magni-565, ND Microspheres
2	1	9160-STEMCOVKIT-061 *	COVER PLATE, SUB-ASSEMBLY
3	1	NSS (INCLUDED IN ITEM 2)	STEM, SUB-ASSEMBLY
4	1	9005-60-1007	PISTON, SR-61
5	1	NSS (INCLUDED IN ITEM 4)	BODY, SR-61
6	1	3610-7801800-20 3610-7802000-20 3610-7801800-21	WAVE SPRING, P05 WAVE SPRING, P10 WAVE SPRING, P15
7	2	3500-1964010-15	M5 x 10 Dog Point Setscrew Black Oxide
8	1	9160-SENSOR-061 **	Switch Assembly, SR-061
9	1	9160-SEAL-061	Seal, 0.38 O.D. x 0.25 I.D.
10	1	NSS(INCLUDED IN ITEM 9)	O-ring, 1.487 ID x .103W
11	1	9160-BOOT-061	Boot Retainer, SR-61
12	1	3700-60-1478 (INCLUDED IN ITEM 11)	Boot, SR-061
13	1	9160-SHIELD-061	Weld Shield, SR-061
14	1	NSS (INCLUDED IN ITEM 13)	EPDM Seal, SR-61
15	4	NSS (INCLUDED IN ITEMS 11 AND 13)	M3 x 6mm SFHCS Metric Blue with Microspheres

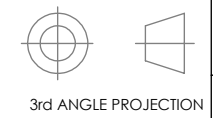
NSS - NOT SOLD SEPERATELY

* FOR UNITS WITH GREY COVERS ADD "-S" TO END OF KIT NUMBER.
 ** FOR UNITS WITH NPN SWITCHES (MODEL NUMBER ENDING IN "S1") ADD "-S1" TO END OF KIT NUMBER.



NOTES: UNLESS OTHERWISE SPECIFIED.

DO NOT SCALE DRAWING. ALL DIMENSIONS ARE IN MILLIMETERS.



1031 Goodworth Drive, Apex, NC 27539, USA
 Tel: +1.919.772.0115 Email: info@ati-ia.com
 Fax: +1.919.772.8259 www.ati-ia.com
 ISO 9001 Registered Company

PROPERTY OF ATI INDUSTRIAL AUTOMATION, INC. NOT TO BE REPRODUCED IN ANY MANNER EXCEPT ON ORDER OR WITH PRIOR WRITTEN AUTHORIZATION OF ATI.

DRAWN BY: D. Wagner 9/27/05		TITLE	
CHECKED BY: LJH 11/22/05		SR-61 Collision Sensor Assembly	
PROJECT # 050310-1	SHEET 1 OF 1	SCALE 3:4	SIZE B
		DRAWING NUMBER 9230-60-1085	REVISION 04