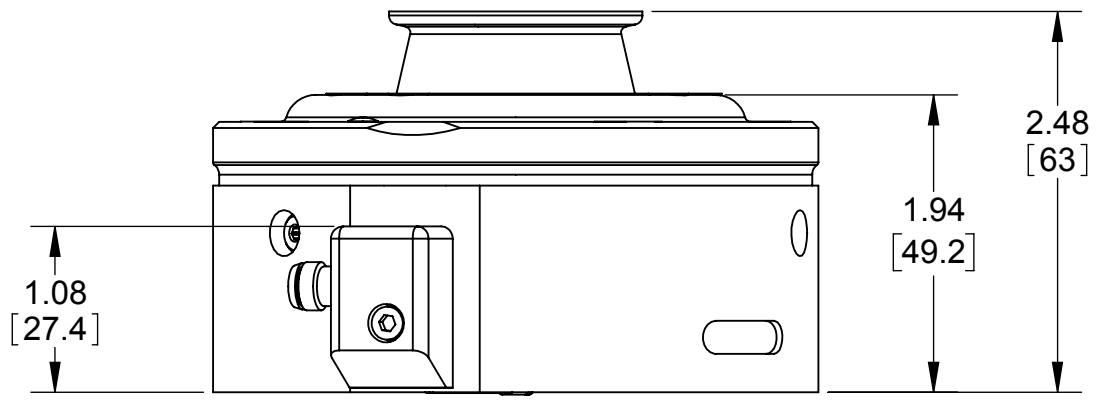
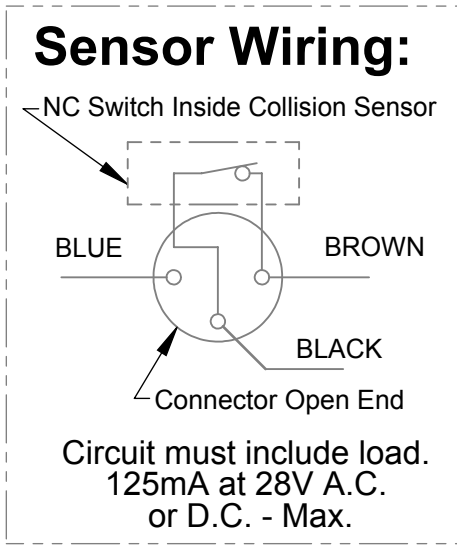
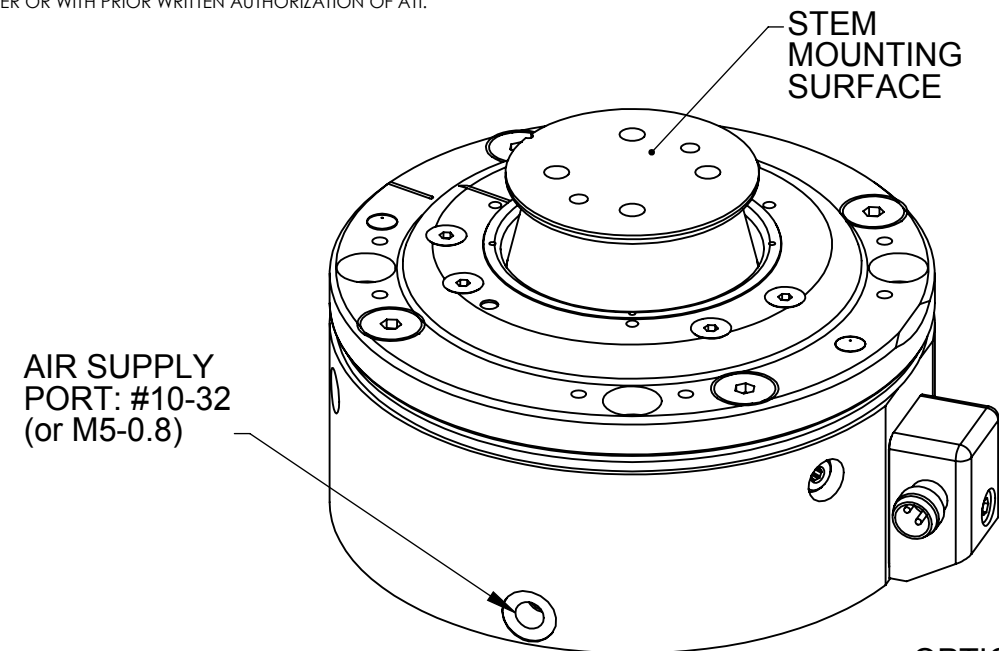
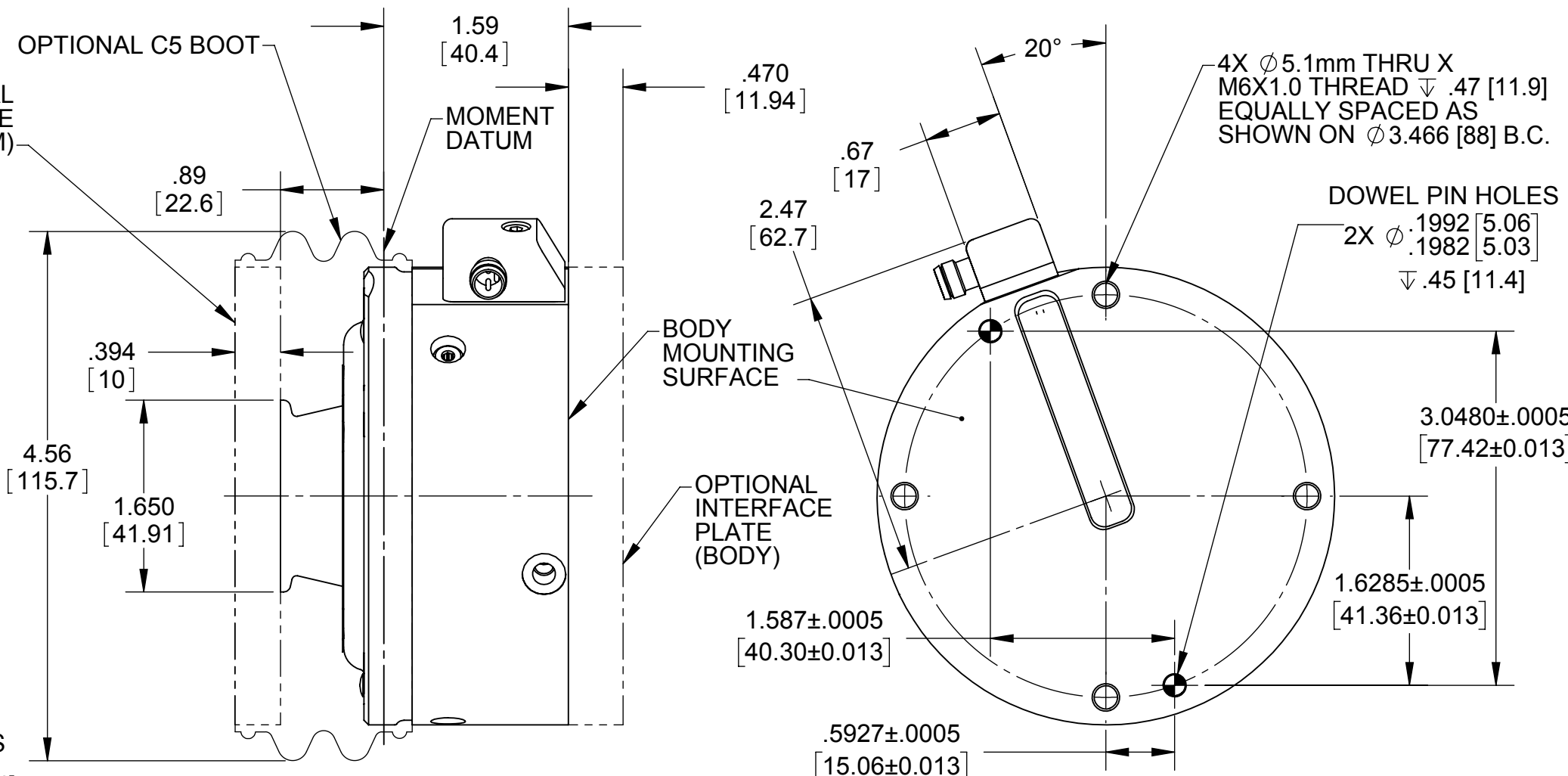
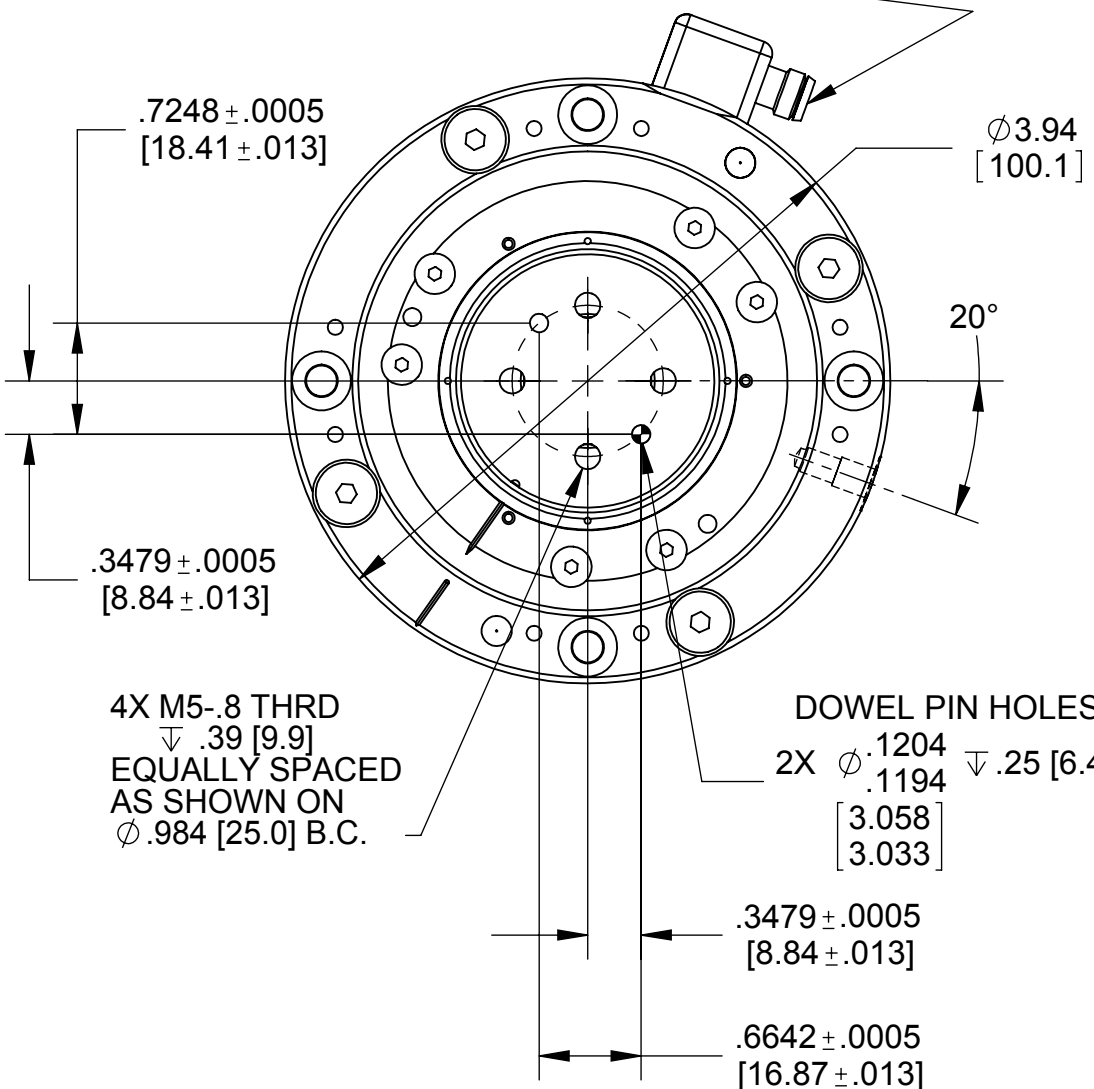


| Rev. | Description   | Initiator | Date      |
|------|---|-----------|-----------|
| 12   | ECO 16303: Changed 3700-60-1246 to 3700-60-1725 in assembly model. Changed 3500-1964010-15 to 3700-60-1923 in assembly model. | TBC       | 2/16/2018 |



3 POLE "NANO" CONNECTOR (MATES WITH SNAP PLUG OR THREADED COUPLER PLUG)

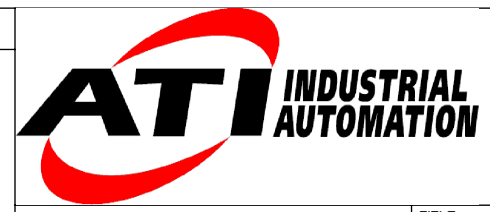


NOTES: UNLESS OTHERWISE SPECIFIED

DO NOT SCALE DRAWING. DRAWN IN SOLIDWORKS  
 DEBURR AND BREAK ALL SHARP EDGES .015  
 ALL DIMENSION ARE IN INCHES  
 ALL DIMENSIONS ARE AFTER ANODIZING  
 PLUG ALL DOWEL HOLES AND TAPPED HOLES M4  
 AND SMALLER BEFORE ANODIZING  
 SURFACE FINISH TO BE A MAXIMUM OF 63 Ra

.XXXX DECIMALS ± .001  
 .XXX DECIMALS ± .005  
 .XX DECIMALS ± .010  
 .X DECIMALS ± .025  
 ANGLES ± 1/2°

3rd ANGLE PROJECTION



1031 Goodworth Drive, Apex, NC 27539, USA  
 Tel: +1.919.772.0115 Email: info@ati-ia.com  
 Fax: +1.919.772.8259 www.ati-ia.com  
 ISO 9001 Registered Company

|                       |                                  |           |                                   |
|-----------------------|----------------------------------|-----------|-----------------------------------|
| DRAWN BY: MLG 7-16-02 | TITLE<br>PROTECTOR, SR-101       |           |                                   |
| CHECKED BY: DAW       | SCALE<br>0.8:1                   | SIZE<br>B | DRAWING NUMBER<br>9230-60-1031-12 |
| WEIGHT LBS: --        | PRODUCT RELEASE # 010530-1 DATE: |           |                                   |
| ASSEMBLY REF:         | SHEET 1 OF 1                     |           |                                   |