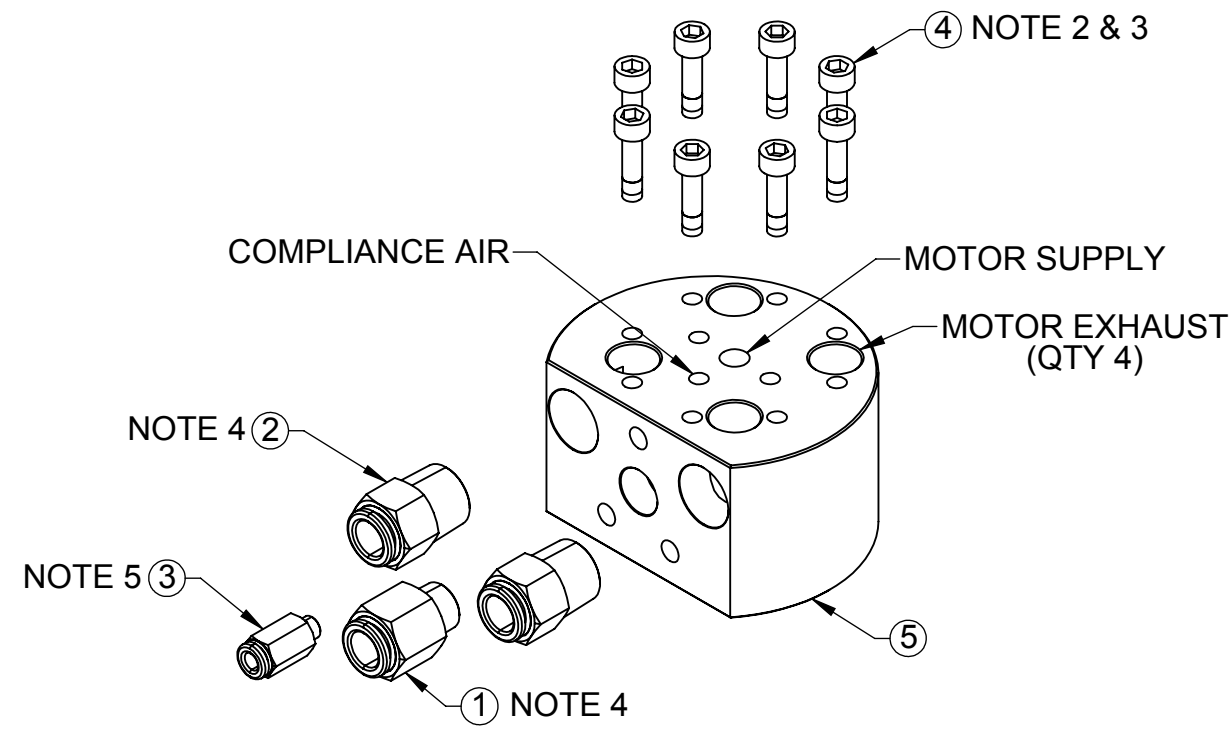
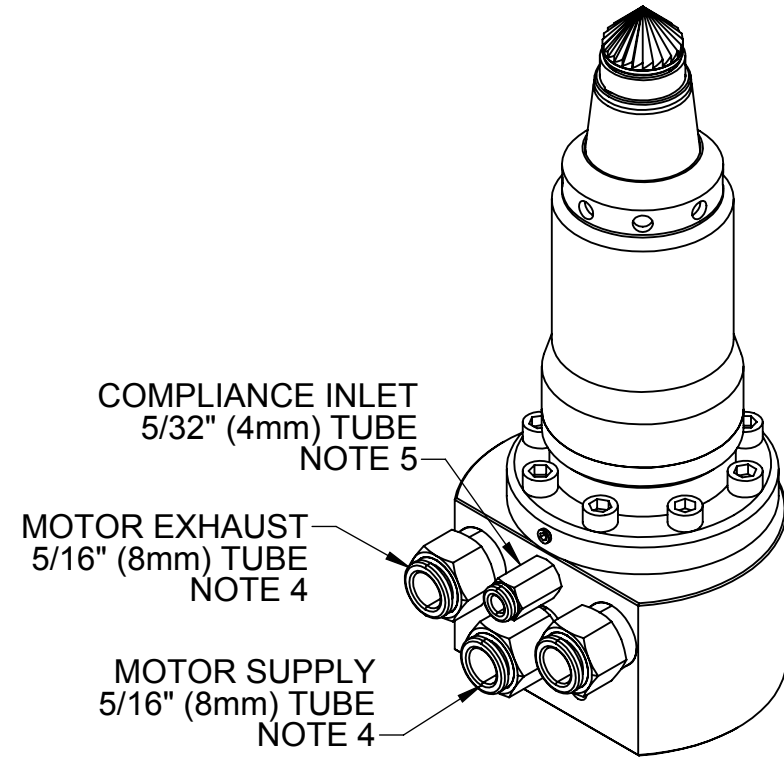
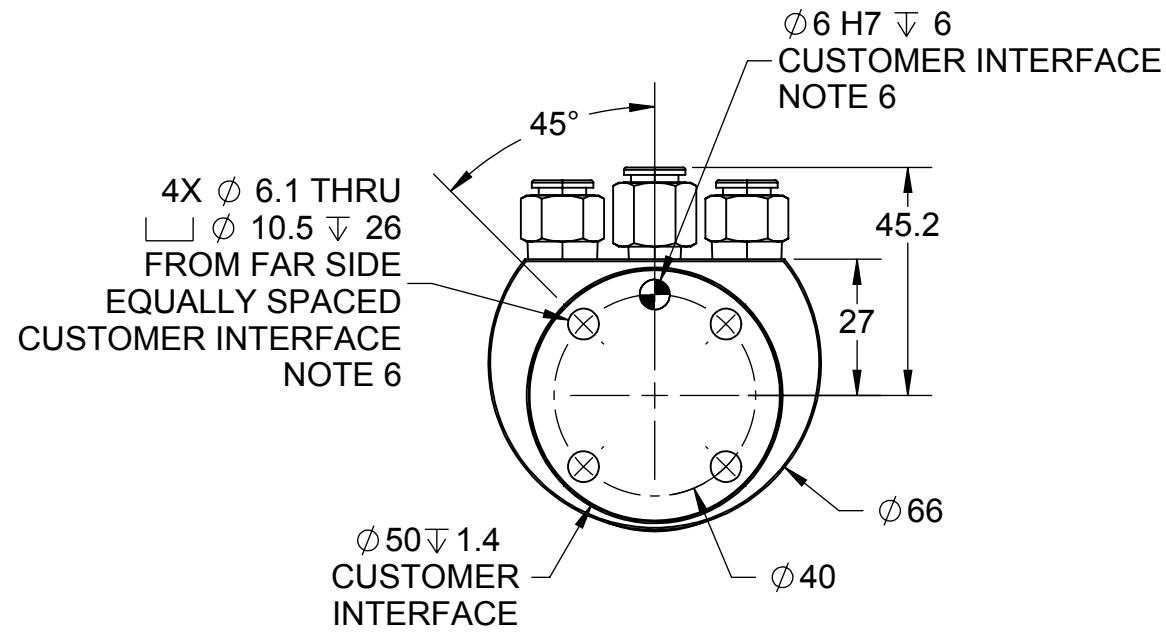


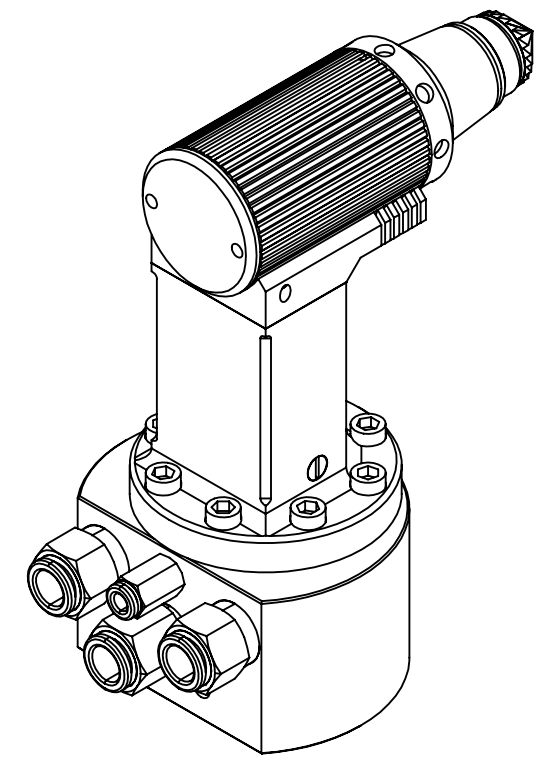
REV.	DESCRIPTION	INITIATOR	DATE
01	INITIAL DRAWING	BRR	2/1/2019



9005-50-6094
ALL ITEMS SHIPPED LOOSE



SHOWN ON 9150-AC-180
NOTE 1



SHOWN ON 9150-AC-90
NOTE 1

ITEM NO.	QTY	PART NUMBER	DESCRIPTION
1	1	3405-1210028-01	Fitting, Straight, 5/16" (8mm) Tube, 1/8" NPT Male, Brass w/ Nickel Plating, Sealant
2	2	3405-1210029-01	Fitting, Straight, 5/16" (8mm) Tube, 1/4" NPT Male, Brass w/ Nickel Plating, Sealant
3	1	3405-1210030-01	Fitting, Straight, 5/32" (4mm) Tube, 10-32UNF Male, Brass w/ Nickel Plating
4	8	3500-1062016-15A	M4-0.7 x 16mm SHCS, Blue, Pre-Applied
5	1	3700-50-1101	HIAC Adaptor for Pneumatic Connection

- Notes:
- AC TOOLS ARE NOT INCLUDED IN ADAPTER KIT.
 - M4 SHCS ALSO SUPPLIED WITH AC TOOL. IF RE-INSTALLING AC TOOL, DISCARD OLD SCREWS AND USE SCREWS SUPPLIED WITH ADAPTER. IF NEW AC TOOL, EITHER SET OF SCREWS IS SUITABLE FOR INSTALLATION.
 - SCREWS SUPPLIED WITH PRE-APPLIED THREAD LOCKER, TORQUE SCREWS TO 25IN-LBS.
 - FITTINGS SUPPLIED WITH PRE-APPLIED THREAD SEALANT, HAND TIGHTEN + 1/2 TURN.
 - APPLY 569 THREAD SEALANT TO FITTING, HAND TIGHTEN + 1/2 TURN.
 - CUSTOMER TO SUPPLY M6 FASTENER AND DOWEL FOR ADAPTER PLATE MOUNTING.

NOTES: UNLESS OTHERWISE SPECIFIED.

DO NOT SCALE DRAWING. ALL DIMENSIONS ARE IN MILLIMETERS.

ATI INDUSTRIAL AUTOMATION

1031 Goodworth Drive, Apex, NC 27539, USA
Tel: +1.919.772.0115 Email: info@ati-ia.com
Fax: +1.919.772.8259 www.ati-ia.com
ISO 9001 Registered Company

PROPERTY OF ATI INDUSTRIAL AUTOMATION, INC. NOT TO BE REPRODUCED IN ANY MANNER EXCEPT ON ORDER OR WITH PRIOR WRITTEN AUTHORIZATION OF ATI.

DRAWN BY: B. Rose - 1/29/2016
CHECKED BY: D. Bohle - 2/1/2019

PROJECT # 190109-1 SHEET 1 OF 1

SCALE: 1:1
SIZE: B
DRAWING NUMBER: 9230-50-1077
REVISION: 01

TITLE: AC Tool Adapter Kit Customer Drawing

