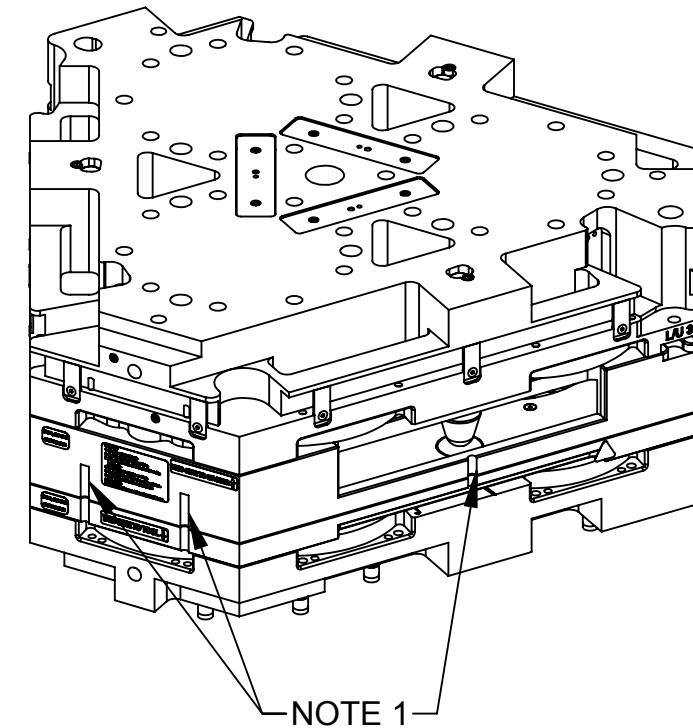
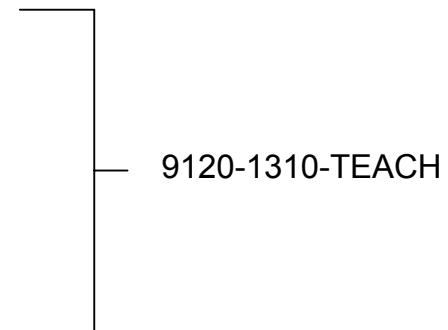
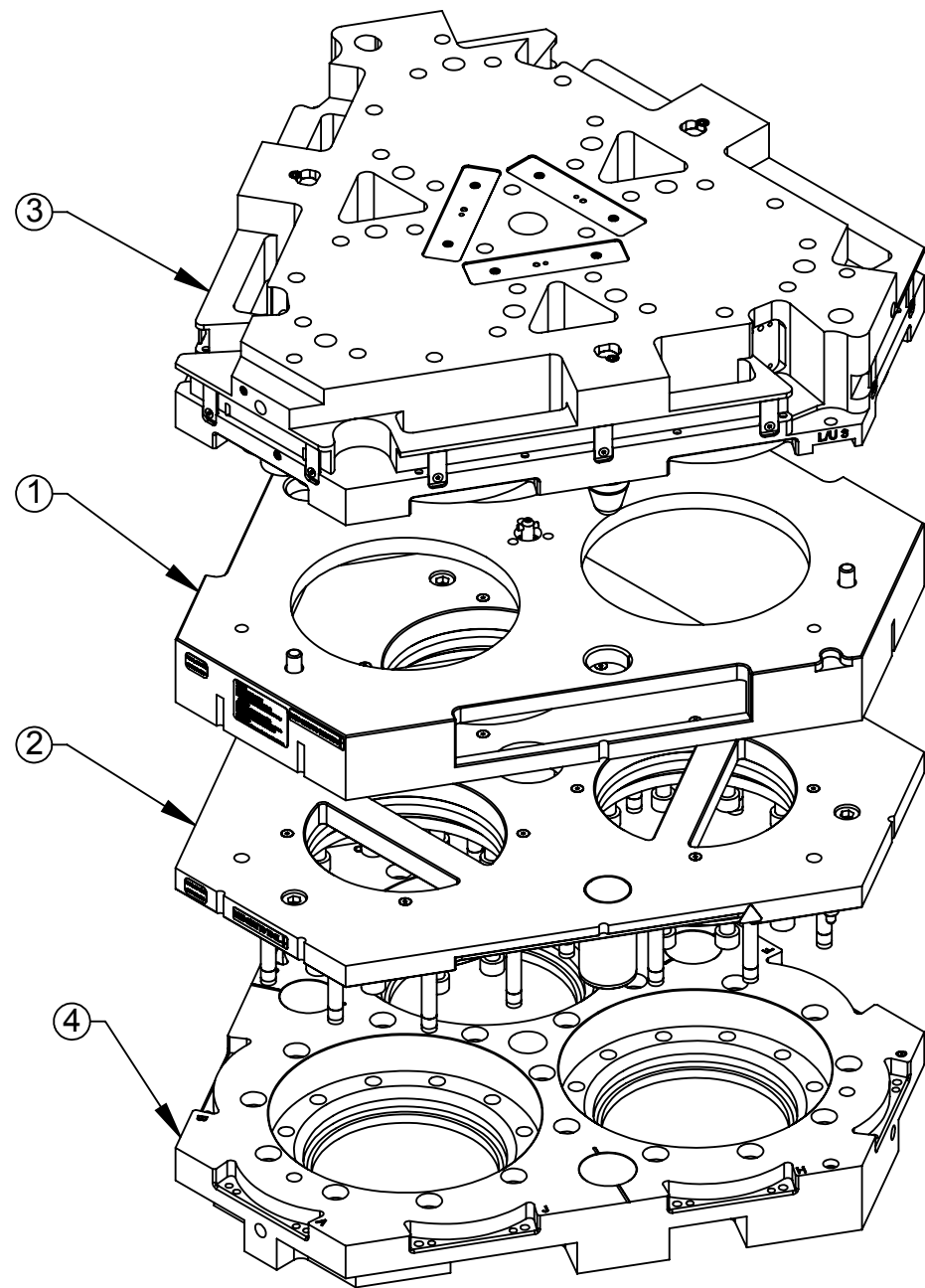


REV.	DESCRIPTION	INITIATOR	DATE
01	INITIAL DRAWING	JAR	3/9/2018



NOTES:

1. SLOTS USED FOR END EFFECTOR ALIGNMENT.

ITEM NO.	QTY	PART NUMBER	DESCRIPTION
1	1	9005-20-8674	Master Side QC-1310 Teaching Aid Assembly
2	1	9005-20-8675	Tool Side QC-1310 Teaching Aid Assembly
3	1	9121-1310M-0-0-0-0-0-0-0-0-0	QC-1310 Master Assembly, No Options
4	1	9121-1310T-0-0-0-0-0-0-0-0-0	QC-1310 Tool Assembly, No Options

NOTES: UNLESS OTHERWISE SPECIFIED.

DO NOT SCALE DRAWING. ALL DIMENSIONS ARE IN MILLIMETERS.



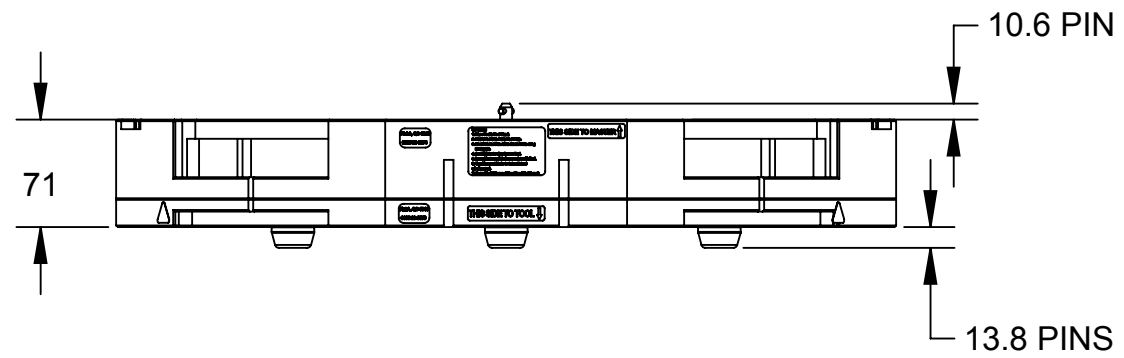
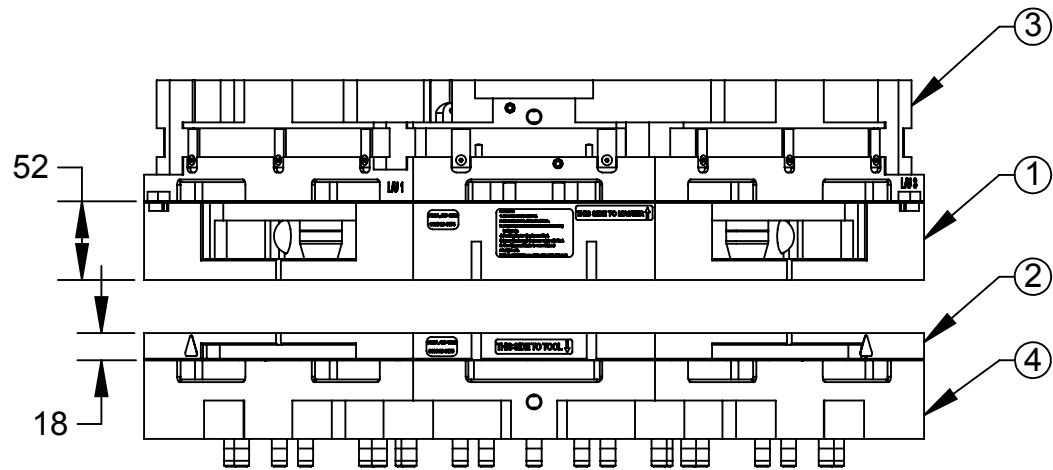
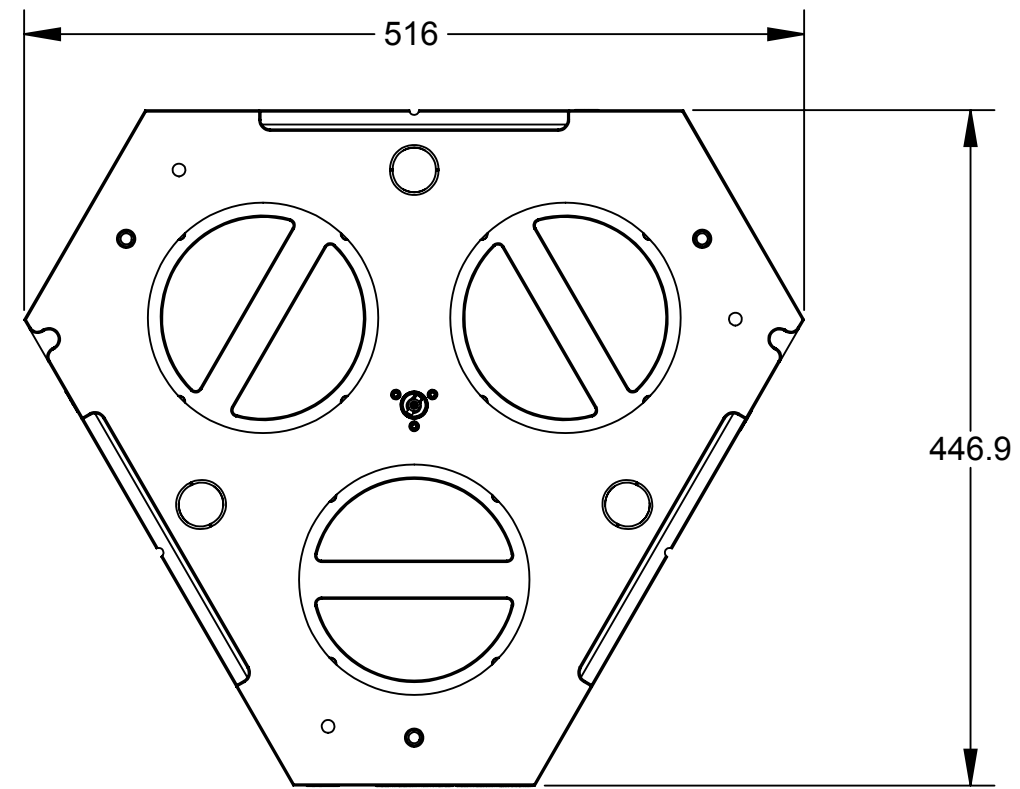
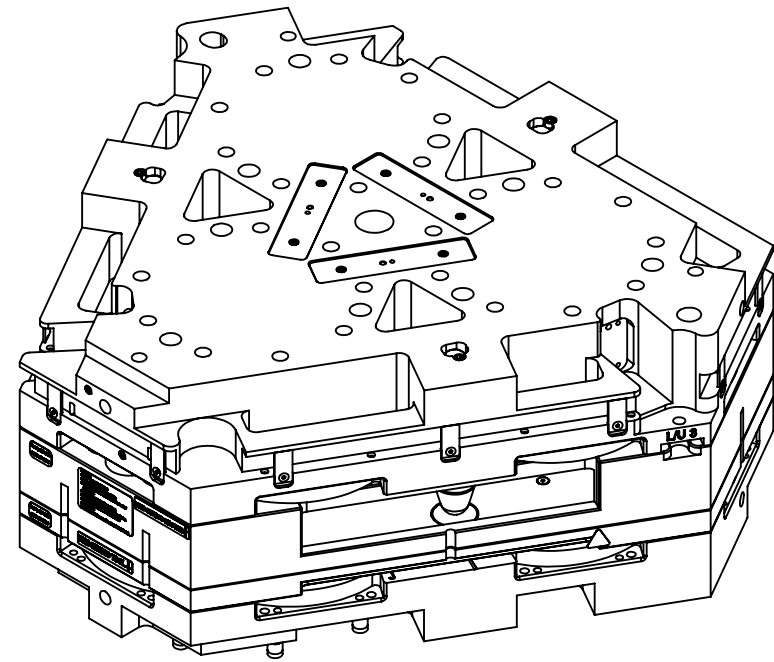
3rd ANGLE PROJECTION



1031 Goodworth Drive, Apex, NC 27539, USA
 Tel: +1.919.772.0115 Email: info@ati-ia.com
 Fax: +1.919.772.8259 www.ati-ia.com
 ISO 9001 Registered Company

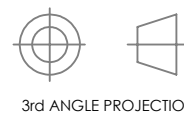
PROPERTY OF ATI INDUSTRIAL AUTOMATION, INC. NOT TO BE REPRODUCED IN ANY MANNER EXCEPT ON ORDER OR WITH PRIOR WRITTEN AUTHORIZATION OF ATI.

DRAWN BY: J.RAY, 8/1/19		TITLE	
CHECKED BY: D. BOHLE, 8/1/19		QC-1310 TEACHING AID CUSTOMER DRAWING	
PROJECT # 170802-2	SHEET 1 OF 2	SCALE 1:5	SIZE B
		DRAWING NUMBER 9230-20-8032	REVISION 01



NOTES: UNLESS OTHERWISE SPECIFIED.

DO NOT SCALE DRAWING. ALL DIMENSIONS ARE IN MILLIMETERS.



1031 Goodworth Drive, Apex, NC 27539, USA
 Tel: +1.919.772.0115 www.ati-ia.com
 Fax: +1.919.772.8259 ISO 9001 Registered Company

PROPERTY OF ATI INDUSTRIAL AUTOMATION, INC. NOT TO BE REPRODUCED IN ANY MANNER EXCEPT ON ORDER OR WITH PRIOR WRITTEN AUTHORIZATION OF ATI.

DRAWN BY: J.RAY, 8/1/19

CHECKED BY: D. BOHLE, 8/1/19

PROJECT # 170802-2 SHEET 2 OF 2

TITLE
QC-1310 TEACHING AID CUSTOMER DRAWING

SCALE	SIZE	DRAWING NUMBER	REVISION
1:5	B	9230-20-8032	01