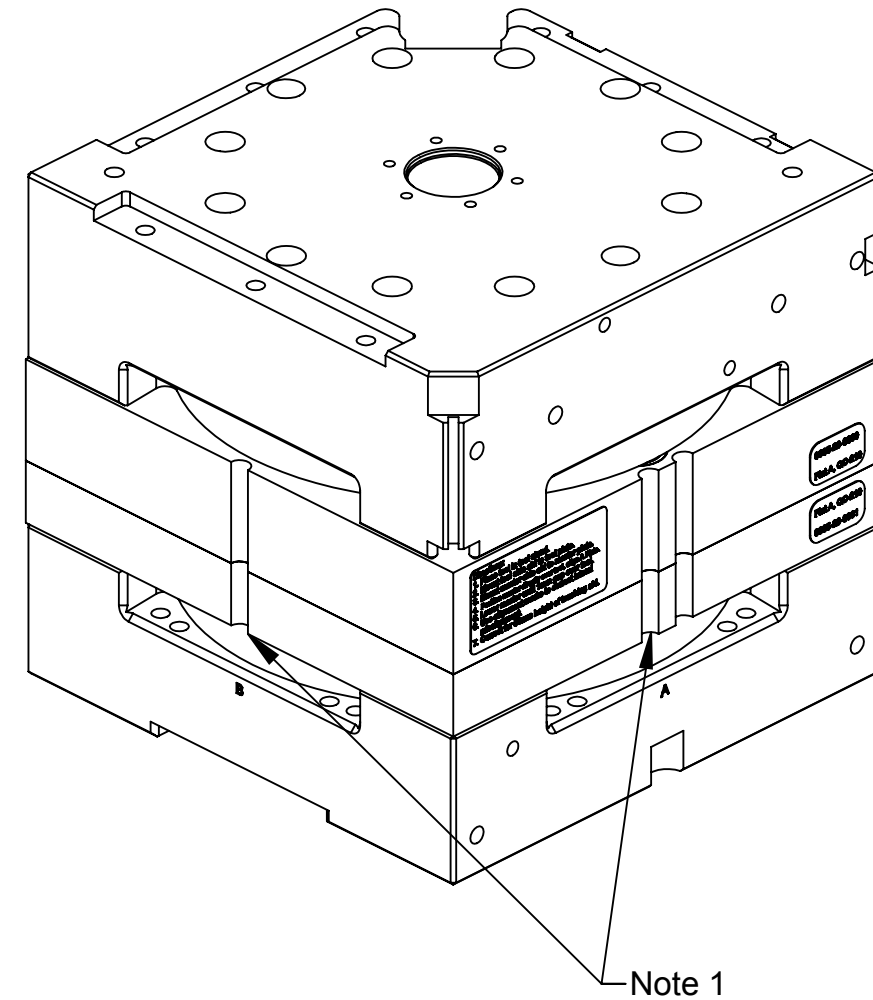
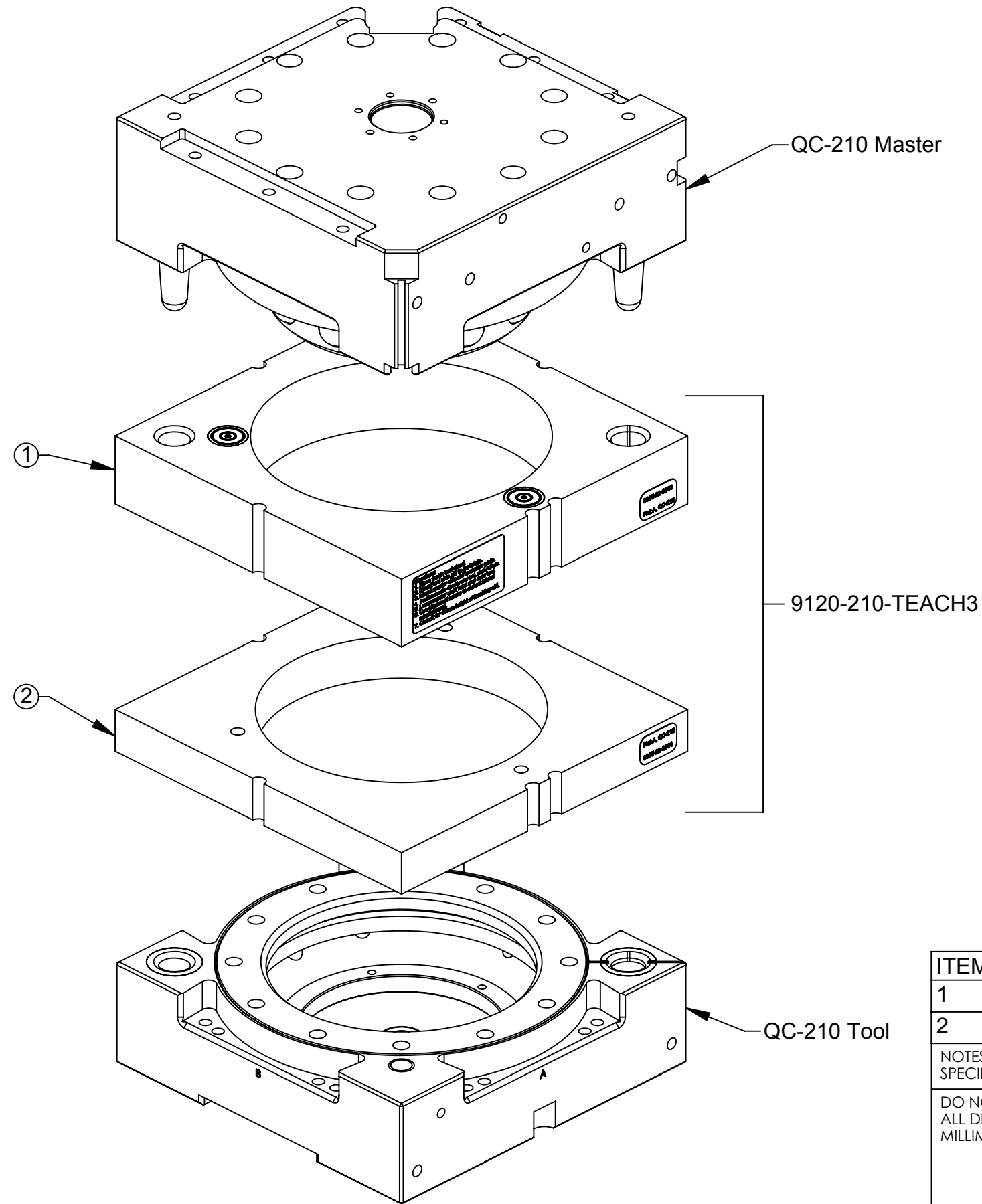


Rev.	Description	Initiator	Date
01	Initial Drawing	DJB	8/31/2017



Notes:
1. Notches used for end effector alignment.

ITEM NO.	QTY	PART NUMBER	DESCRIPTION
1	1	9005-20-8660	QC-210 Master Side Teaching Aid, 3rd Generation
2	1	9005-20-8661	QC-210 Tool Side Teaching Aid, 3rd Generation

NOTES: UNLESS OTHERWISE SPECIFIED.

DO NOT SCALE DRAWING. ALL DIMENSIONS ARE IN MILLIMETERS.



3rd ANGLE PROJECTION



1031 Goodworth Drive, Apex, NC 27539, USA
Tel: +1.919.772.0115 Email: info@ati-ia.com
Fax: +1.919.772.8259 www.ati-ia.com
ISO 9001 Registered Company

PROPERTY OF ATI INDUSTRIAL AUTOMATION, INC. NOT TO BE REPRODUCED IN ANY MANNER EXCEPT ON ORDER OR WITH PRIOR WRITTEN AUTHORIZATION OF ATI.

DRAWN BY: D. Bohle 8/31/2017		TITLE	
CHECKED BY: M. Gala 9/18/2017		QC-210 TEACH3 Overview	
PROJECT #	170828-3	SHEET	1 OF 2
SCALE	1:5	SIZE	B
DRAWING NUMBER	9230-20-8003	REVISION	01

