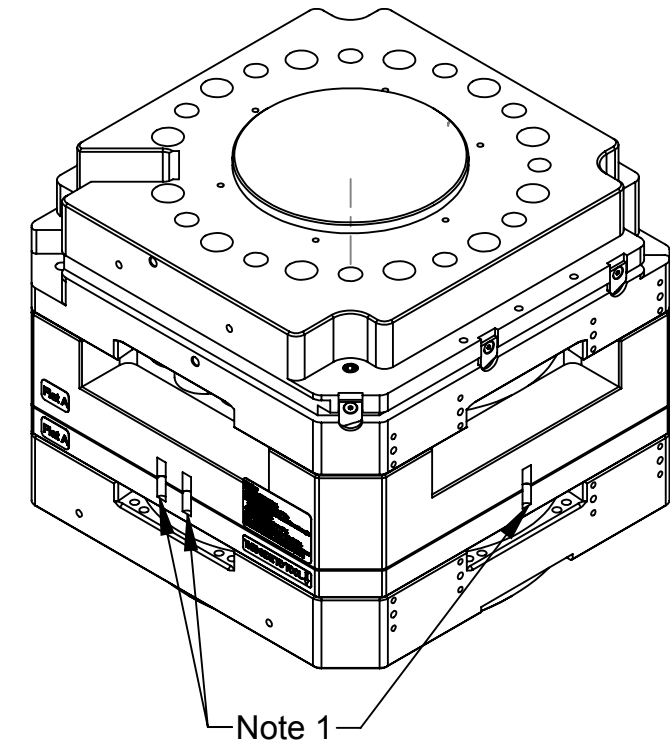
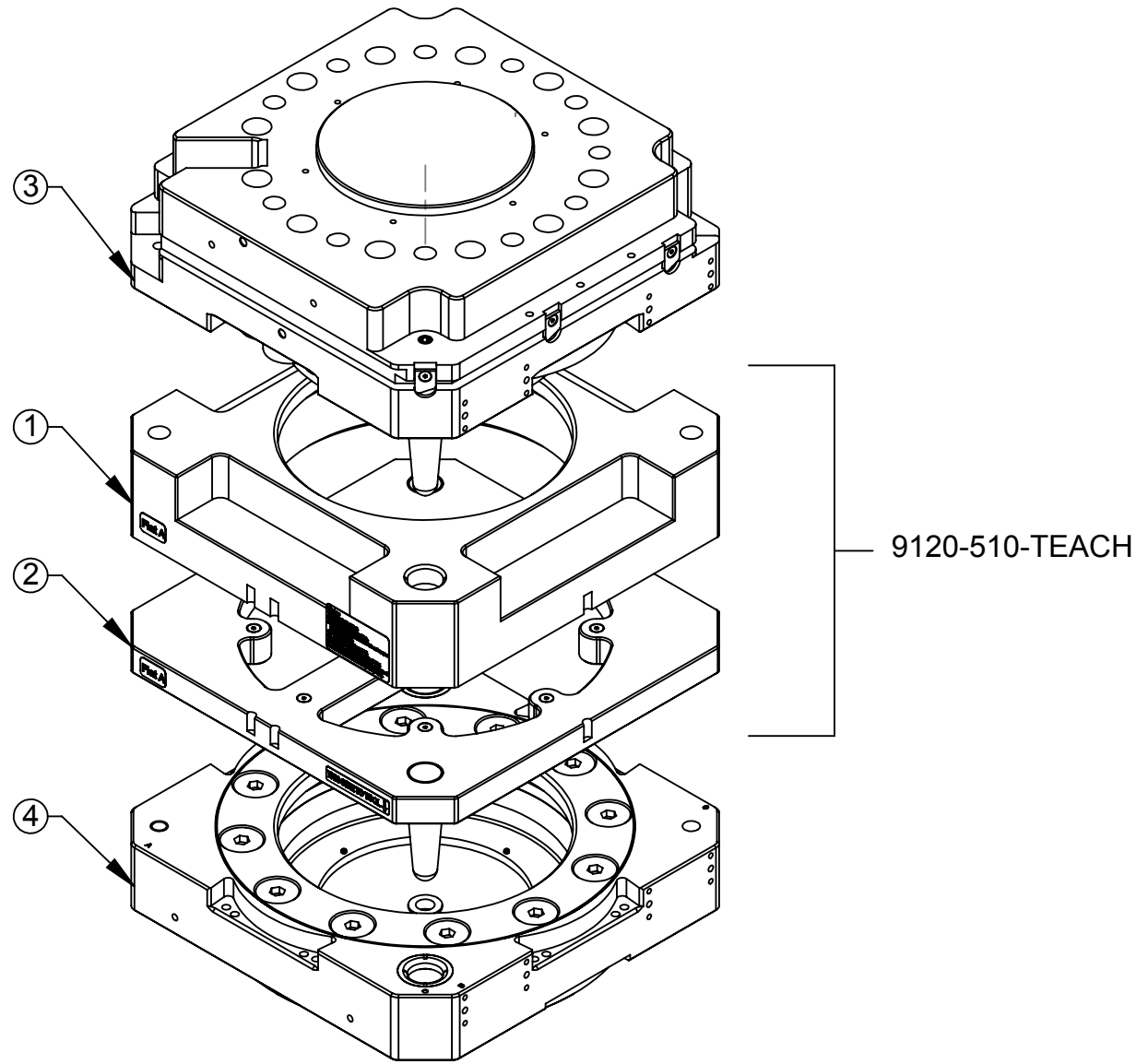


Rev.	Description	Initiator	Date
01	Initial Drawing	LCS	6/9/2015



ITEM NO.	QTY	PART NUMBER	DESCRIPTION
1	1	9005-20-2448	Master Side QC-510 Teaching Aid
2	1	9005-20-2449	Tool Side QC-510 Teaching Aid
3	1	9121-510DM-0-0-0-0	Base Assembly, Master, QC-510
4	1	9121-510DT-0-0-0-0	BASE ASSEMBLY, TOOL, QC-510

NOTES: UNLESS OTHERWISE SPECIFIED.

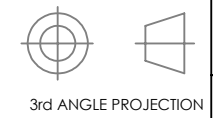
DO NOT SCALE DRAWING. ALL DIMENSIONS ARE IN MILLIMETERS.



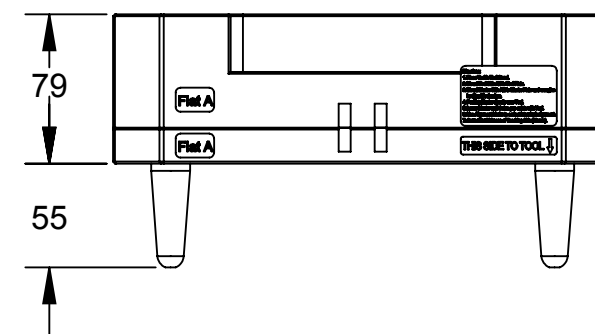
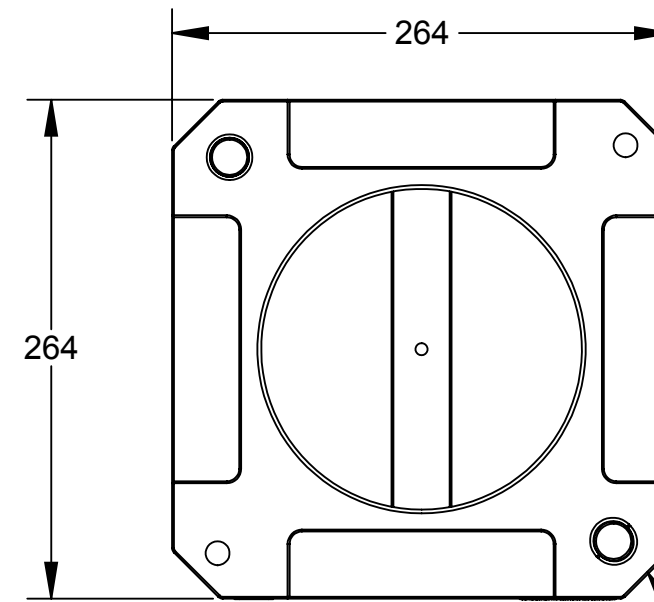
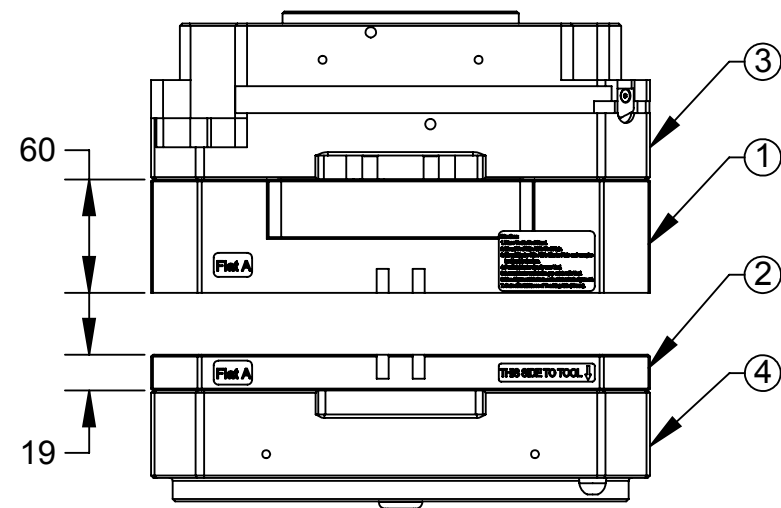
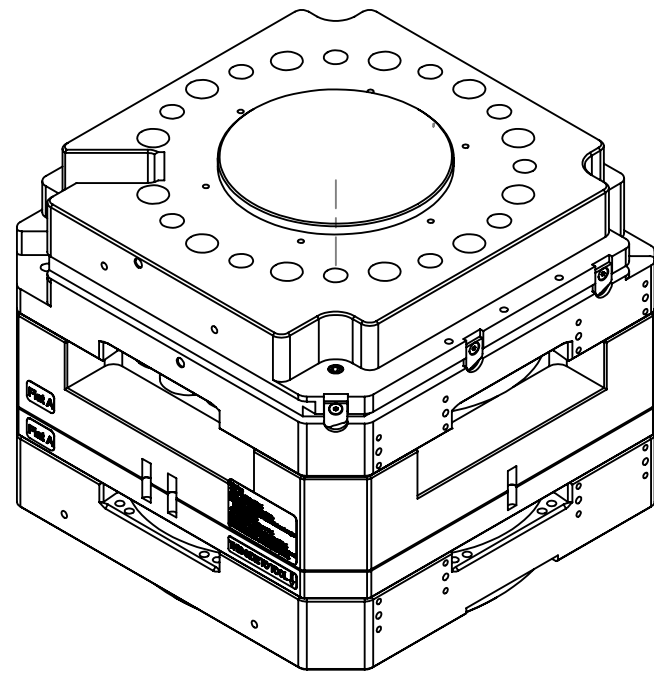
1031 Goodworth Drive, Apex, NC 27539, USA
 Tel: +1.919.772.0115 Email: info@ati-ia.com
 Fax: +1.919.772.8259 www.ati-ia.com
 ISO 9001 Registered Company

PROPERTY OF ATI INDUSTRIAL AUTOMATION, INC. NOT TO BE REPRODUCED IN ANY MANNER EXCEPT ON ORDER OR WITH PRIOR WRITTEN AUTHORIZATION OF ATI.

Notes:
 1. Slots used for End Effector Alignment.



DRAWN BY: L. Strahler 6/9/15		TITLE	
CHECKED BY: D. Norton 6/10/15		QC-510 Teaching Aid Customer Drawing	
PROJECT #	150430-1	SHEET	1 OF 2
SCALE	1:4	SIZE	B
DRAWING NUMBER	9230-20-7827	REVISION	01



QC-510 Hidden for Clarity

NOTES: UNLESS OTHERWISE SPECIFIED.

DO NOT SCALE DRAWING. ALL DIMENSIONS ARE IN MILLIMETERS.



3rd ANGLE PROJECTION



1031 Goodworth Drive, Apex, NC 27539, USA
 Tel: +1.919.772.0115 Email: info@ati-ia.com
 Fax: +1.919.772.8259 www.ati-ia.com
 ISO 9001 Registered Company

PROPERTY OF ATI INDUSTRIAL AUTOMATION, INC. NOT TO BE REPRODUCED IN ANY MANNER EXCEPT ON ORDER OR WITH PRIOR WRITTEN AUTHORIZATION OF ATI.

DRAWN BY: L. Strahler 6/9/15		TITLE		
CHECKED BY: D. Norton 6/10/15		QC-510 Teaching Aid Customer Drawing		
PROJECT #	150430-1	SHEET	2	OF 2
SCALE	1:4	SIZE	B	DRAWING NUMBER
		9230-20-7827		REVISION
				01