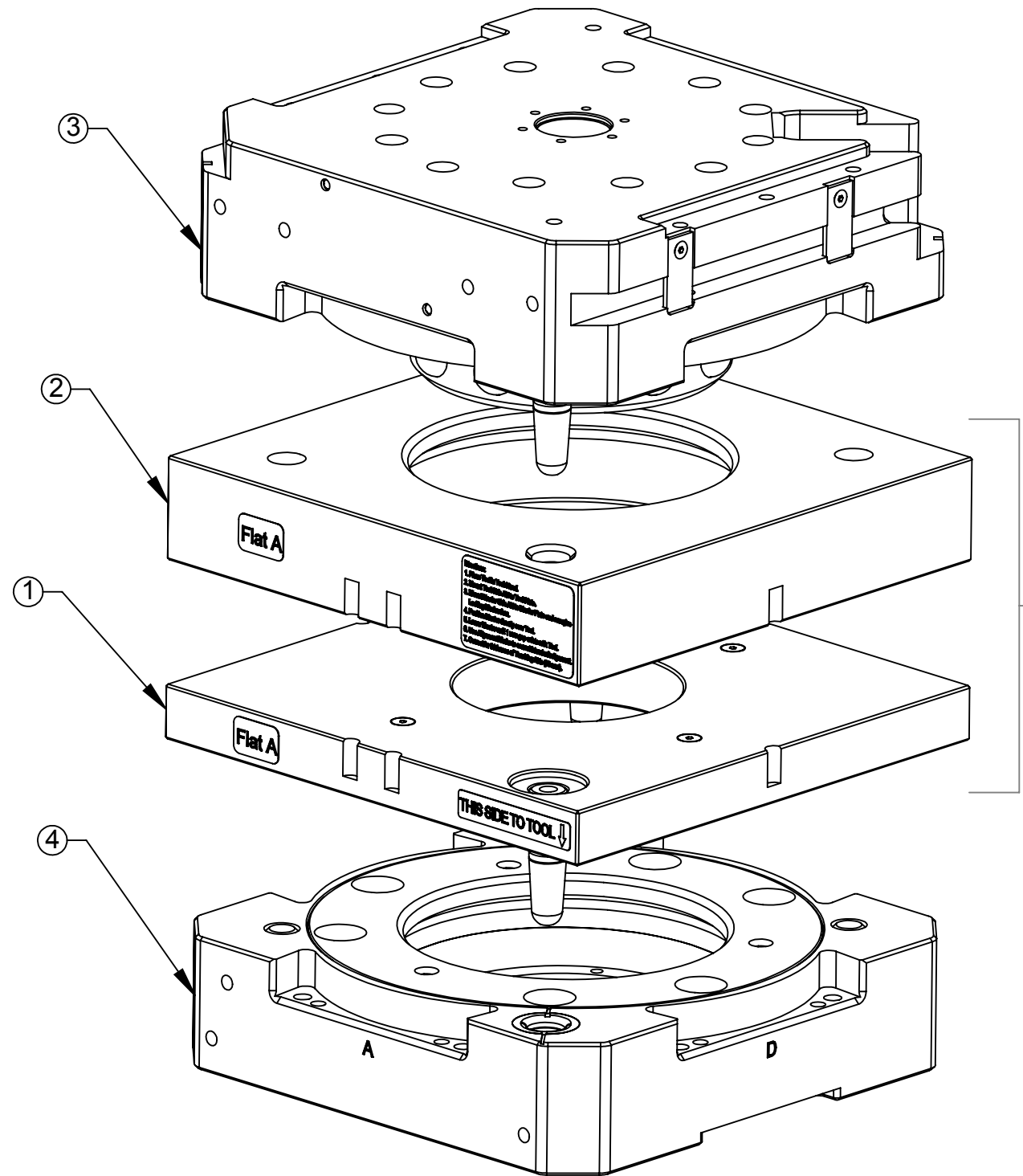
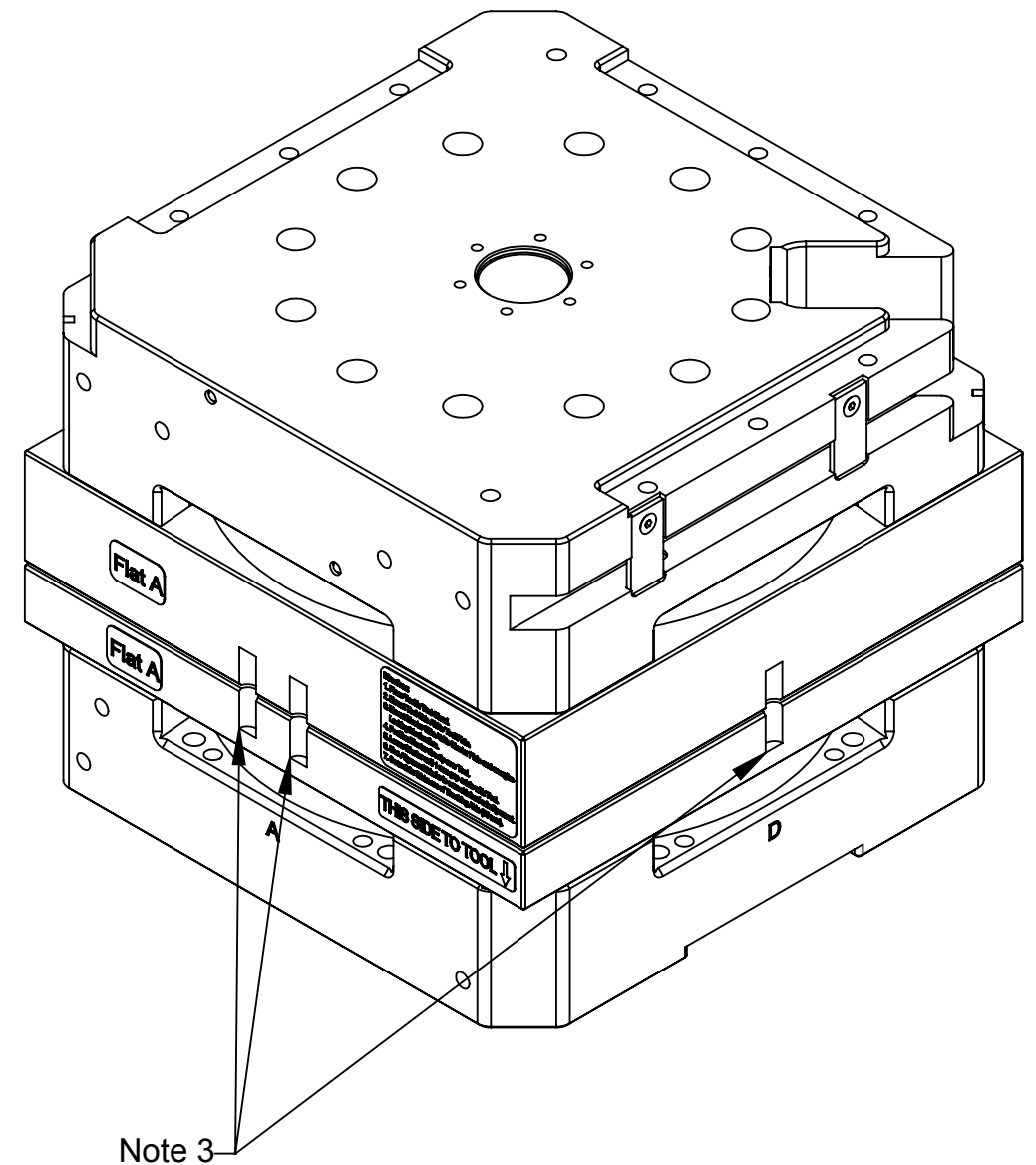


Rev.	Description	Initiator	Date
01	Initial Drawing	RLR	9/11/2014



9120-213-TEACH



Note 3

Notes:
 1. The purpose of this drawing is to show a preliminary concept for the QC-213 Teaching Aids.
 2. Design is subject to change.
 3. Slots used for End Effector Alignment.

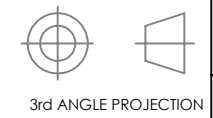
ITEM NO.	QTY.	PART NUMBER	DESCRIPTION
1	1	9005-20-2359	Tool Side QC-213 Teaching Aid
2	1	9005-20-2360	Master Side QC-213 Teaching Aid
3	1	9121-213AMX-0-0-0-0	QC-213 Master Base Assembly (Sleeveless), No Options
4	1	9121-213CT-0-0-0-0	QC-213 Base Tool Assembly, No Options

NOTES: UNLESS OTHERWISE SPECIFIED.
 DO NOT SCALE DRAWING. ALL DIMENSIONS ARE IN MILLIMETERS.



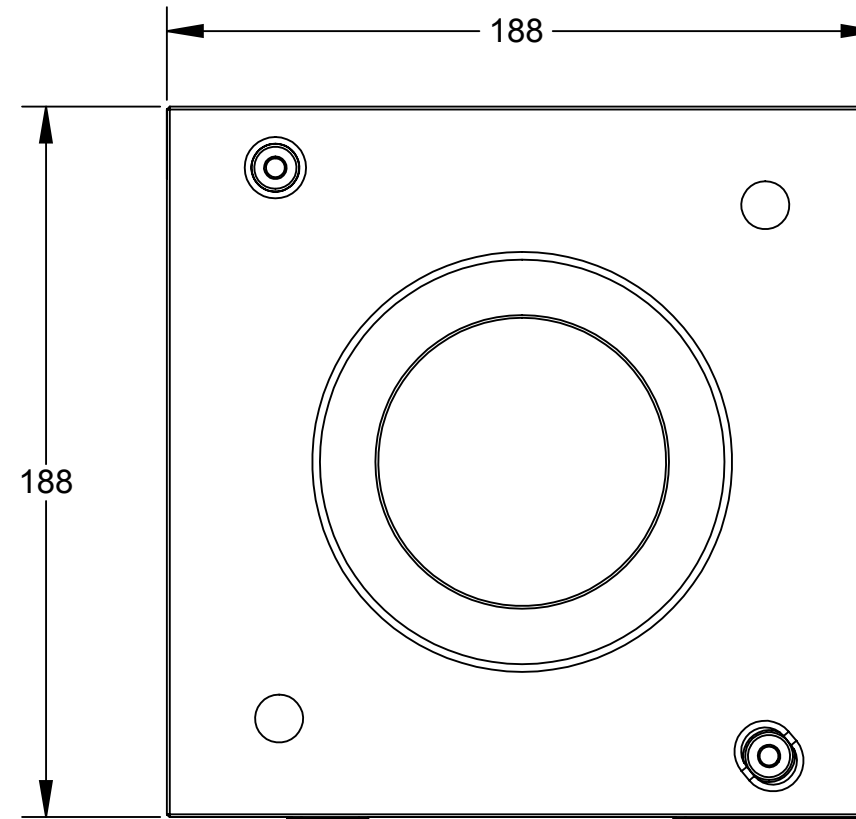
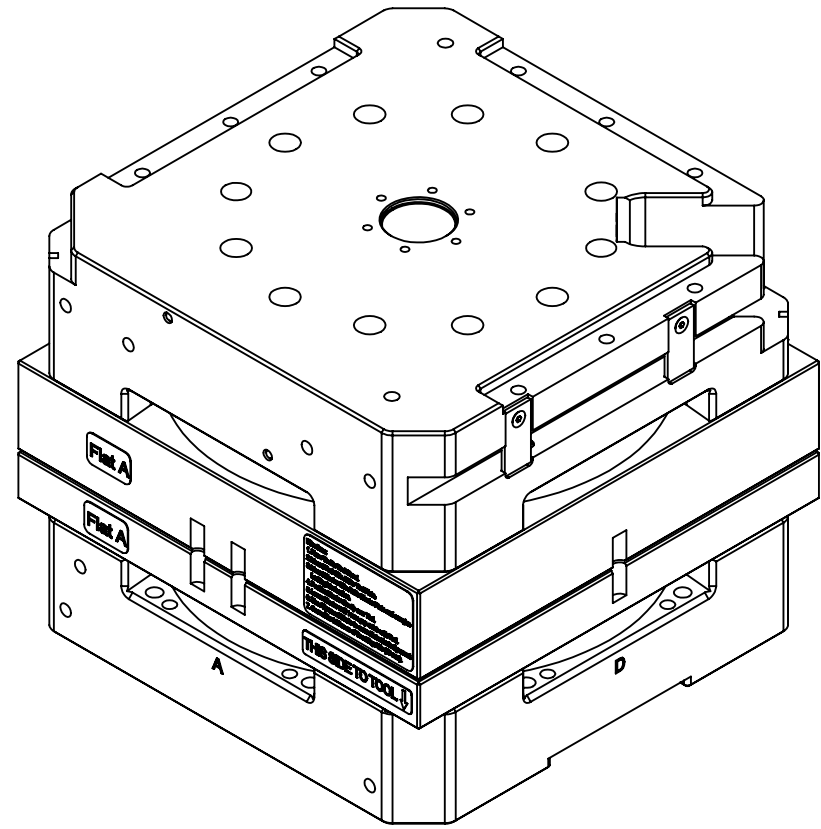
1031 Goodworth Drive, Apex, NC 27539, USA
 Tel: +1.919.772.0115 Email: info@ati-ia.com
 Fax: +1.919.772.8259 www.ati-ia.com
 ISO 9001 Registered Company

PROPERTY OF ATI INDUSTRIAL AUTOMATION, INC. NOT TO BE REPRODUCED IN ANY MANNER EXCEPT ON ORDER OR WITH PRIOR WRITTEN AUTHORIZATION OF ATI.

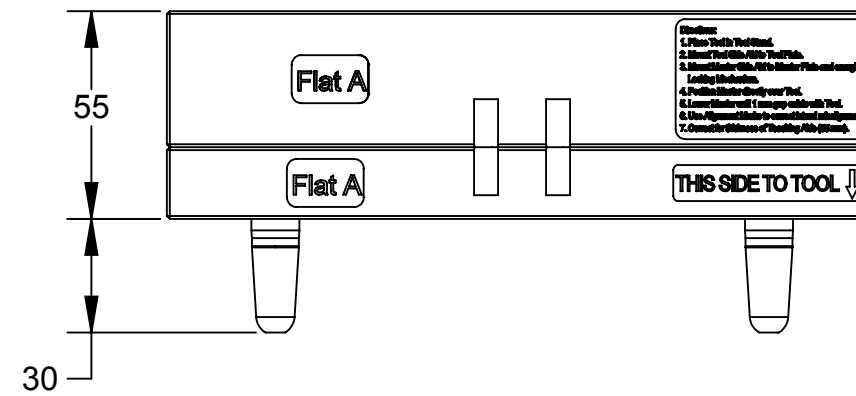
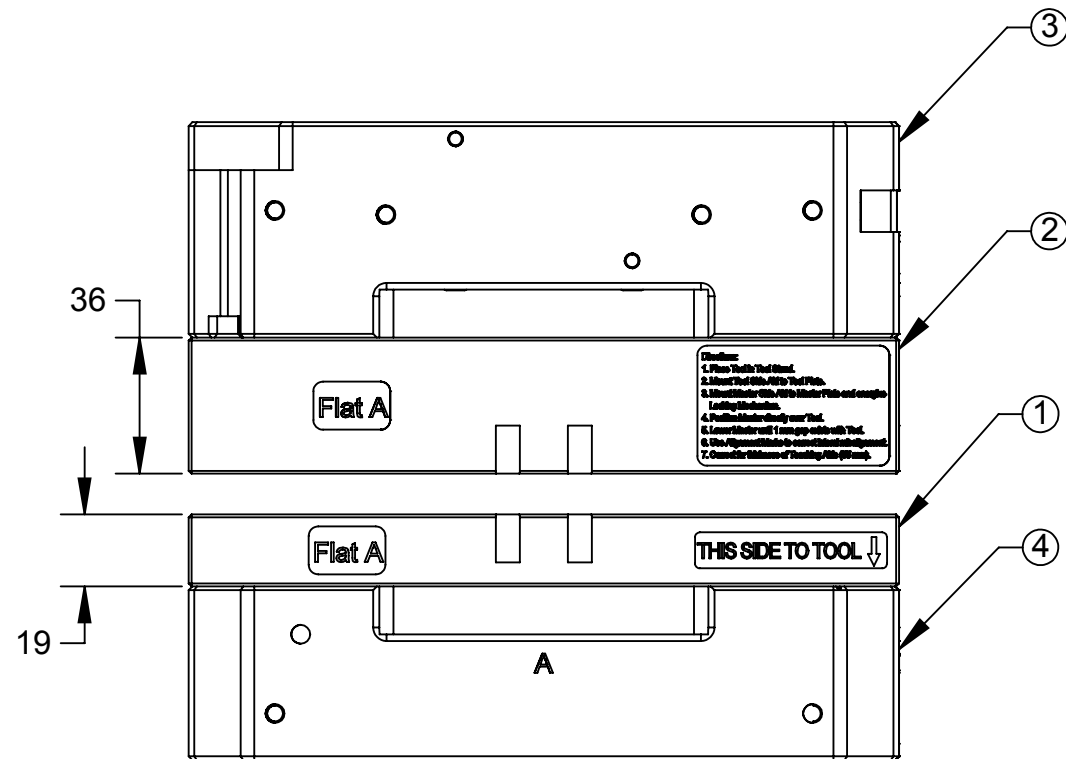


DRAWN BY: R.Raines 9/11/14		TITLE	
CHECKED BY: D.Norton 10/30/14		QC-213 Teaching Aid Customer Drawing	
PROJECT # 140827-2	SHEET 1 OF 2	SCALE 1:4	SIZE B
		DRAWING NUMBER	REVISION
		9230-20-7773	01

Rev.	Description	Initiator	Date
-	See Sheet1	-	-



QC-213 Hidden for clarity



NOTES: UNLESS OTHERWISE SPECIFIED.

DO NOT SCALE DRAWING. ALL DIMENSIONS ARE IN MILLIMETERS.



3rd ANGLE PROJECTION



1031 Goodworth Drive, Apex, NC 27539, USA
 Tel: +1.919.772.0115 Email: info@ati-ia.com
 Fax: +1.919.772.8259 www.ati-ia.com
 ISO 9001 Registered Company

PROPERTY OF ATI INDUSTRIAL AUTOMATION, INC. NOT TO BE REPRODUCED IN ANY MANNER EXCEPT ON ORDER OR WITH PRIOR WRITTEN AUTHORIZATION OF ATI.

DRAWN BY: R.Raines 9/11/14		TITLE	
CHECKED BY: D.Norton 10/30/14		QC-213 Teaching Aid Customer Drawing	
PROJECT # 140827-2	SHEET 2 OF 2	SCALE 1:4	SIZE B
		DRAWING NUMBER	REVISION
		9230-20-7773	01