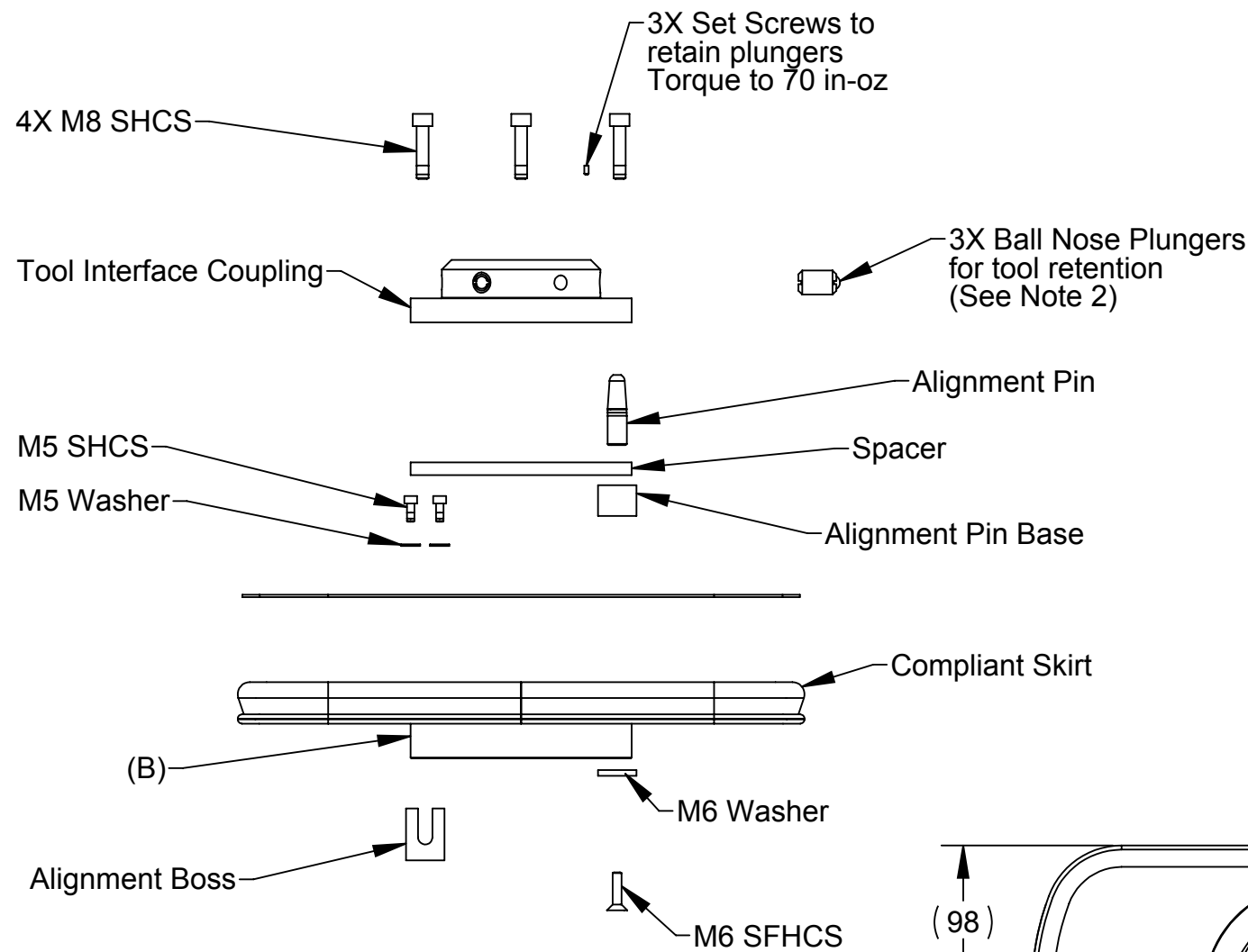
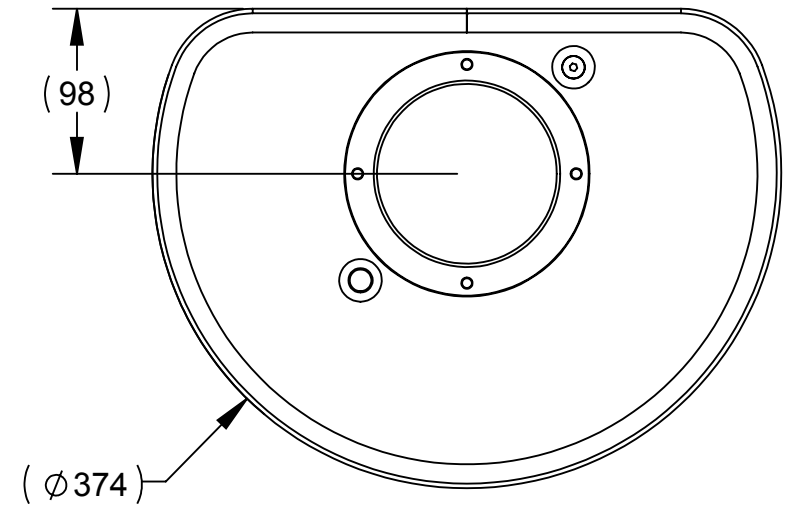


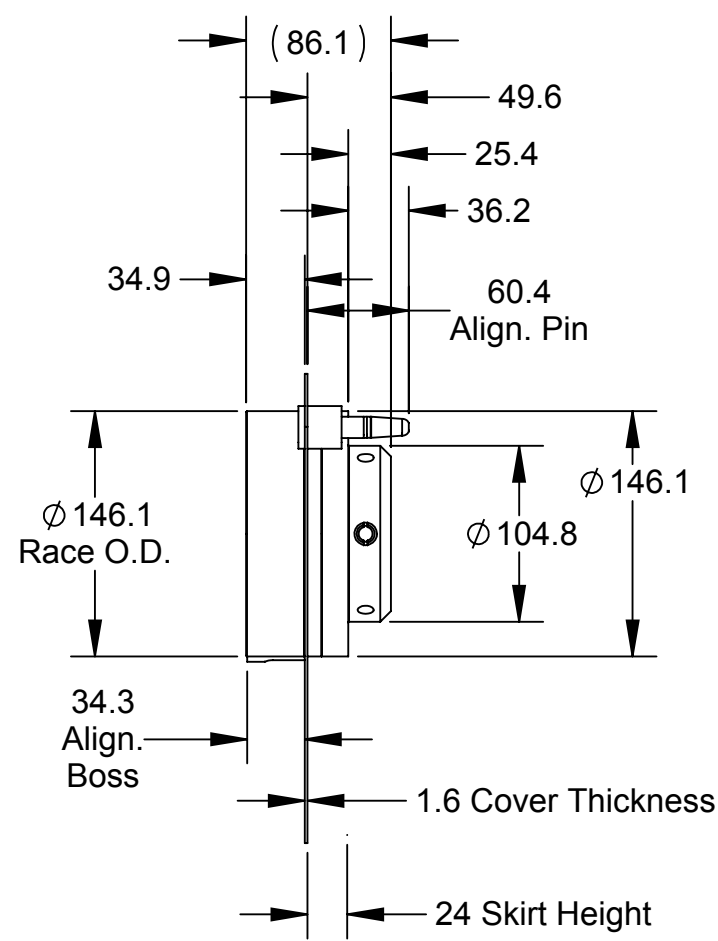
| Rev. | Description | Initiator | Date |
|------|-------------------------|-----------|-----------|
| 02 | Eco 15627; Added Spacer | LJH | 5/17/2017 |



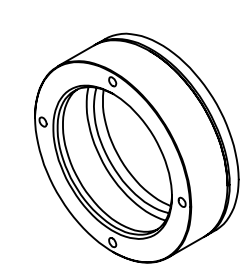
Dust Cover Assembly Exploded View



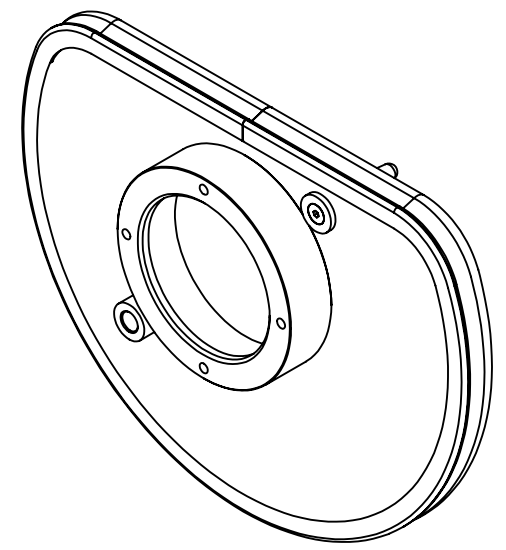
Dust Cover Tool Face



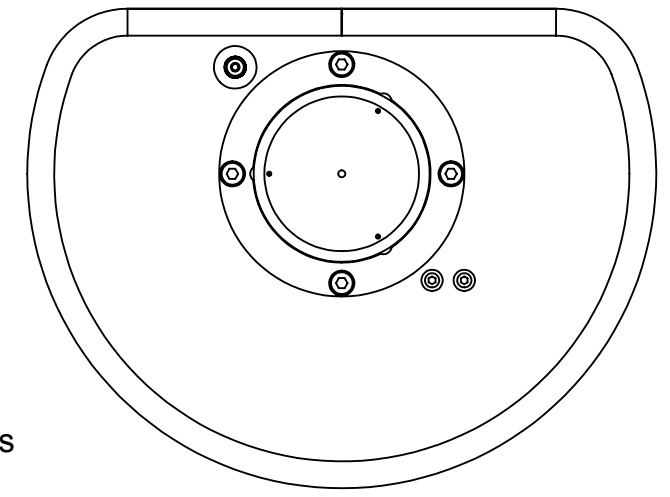
**Side View
(Skirt not shown for Clarity)**



**Al. Bearing Race (B)
Isometric View**



**Dust Cover Assy (A)
Isometric View**



Dust Cover Master Face

- Notes:
- Materials of Construction:
 - A. Master Interface Race, Aluminum
 - B. Dust Cover, Thin Gauge Stainless
 - C. Tool Interface Coupling, Delrin
 - D. Skirt, EPDM Rubber
 - E. Ball-Nose Plungers, Stainless Steel Ball Tip and Case
 - F. Set Screws, M3-0.5 x 6 mm, Flatpoint, Steel
 - G. Alignment Pin & Alignment Boss, Steel
 - Ball Plungers require lubrication. Mobilgrease XHP-222 Special
 - Flexibility to interchange cover sizes and replace worn parts

Part Numbers:
 (A) 200 Series Dust Cover Assy.: 9120-DC-201-15
 (B) 200 Series Aluminum Bearing Race: 9120-DC-3266

| | | | | |
|--|--|---------------------|--|---------------------------------------|
| NOTES: UNLESS OTHERWISE SPECIFIED. DO NOT SCALE DRAWING. ALL DIMENSIONS ARE IN MILLIMETERS. | | | 1031 Goodworth Drive, Apex, NC 27539, USA Tel: +1.919.772.0115 Email: info@ati-ia.com Fax: +1.919.772.8259 www.ati-ia.com ISO 9001 Registered Company | |
| | DRAWN BY: J. Winterroth, 8/11/14 CHECKED BY: D. Norton, 8/11/14 | | TITLE 9120-DC-201-15 - Customer Drawing | |
| 3rd ANGLE PROJECTION | PROJECT # 140728-4 SHEET 1 OF 1 | SCALE 1:4 | SIZE B | DRAWING NUMBER 9230-20-7764 |
| | | | | REVISION 02 |

PROPERTY OF ATI INDUSTRIAL AUTOMATION, INC. NOT TO BE REPRODUCED IN ANY MANNER EXCEPT ON ORDER OR WITH PRIOR WRITTEN AUTHORIZATION OF ATI.