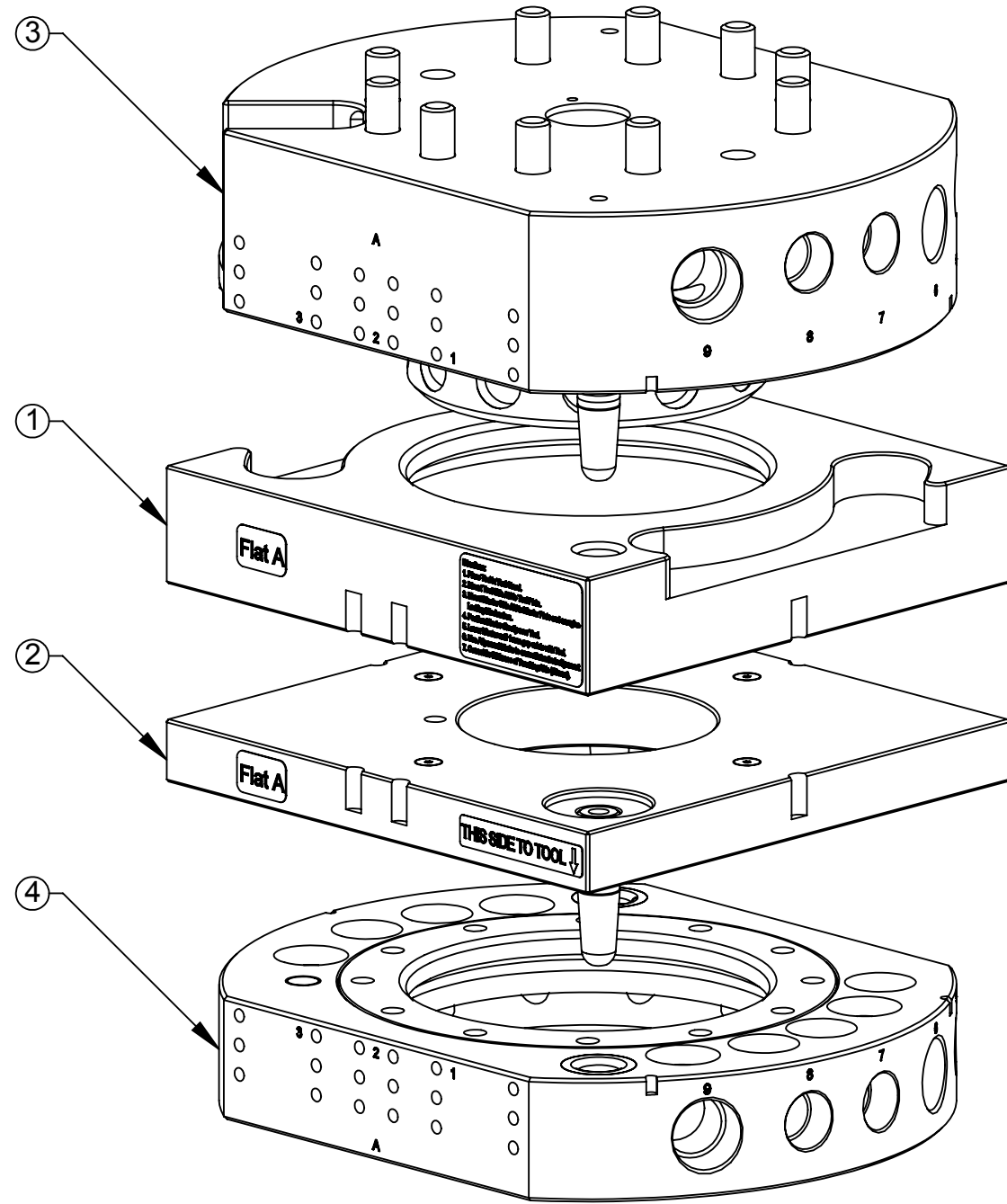
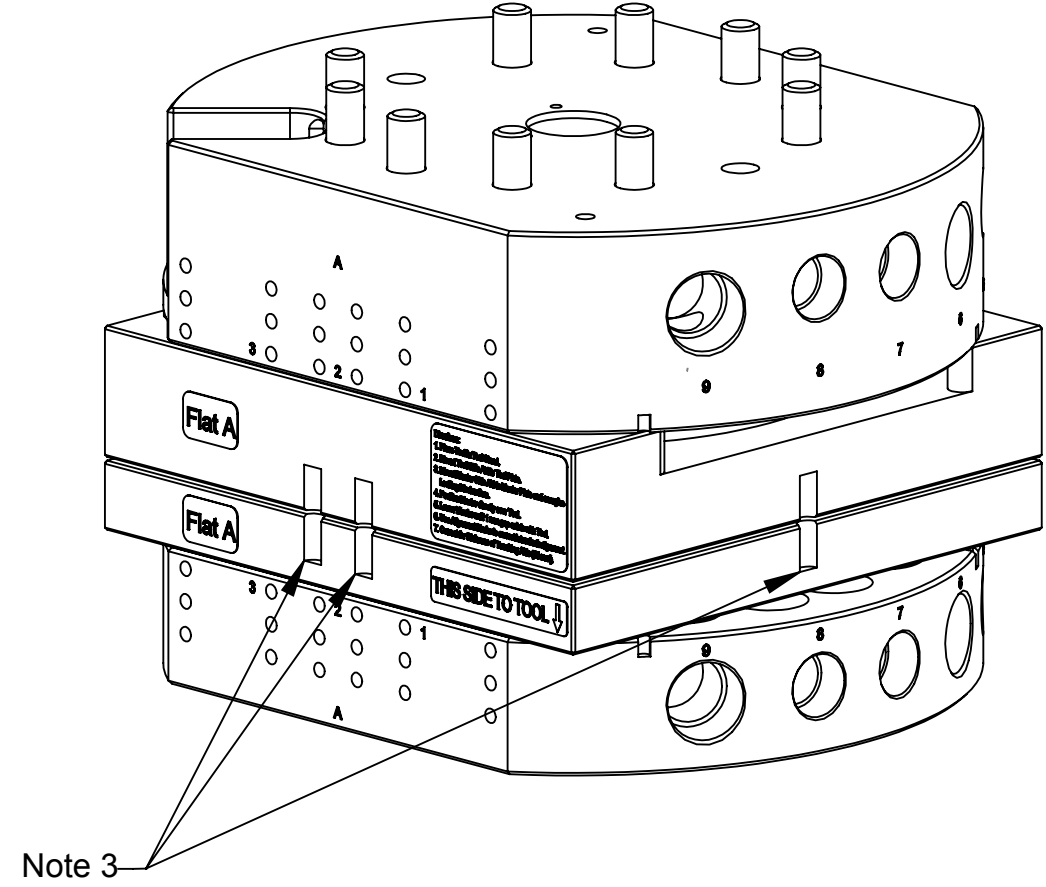


Rev.	Description	Initiator	Date
01	Initial drawing release.	BVK	7/14/2014
02	Updated drawing views.	BVK	10/1/2014



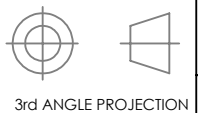
9120-160-TEACH



ITEM NO.	QTY.	PART NUMBER	DESCRIPTION
1	1	9005-20-2316	Master Side QC-160 Teaching Aid
2	1	9005-20-2317	Tool Side QC-160 Teaching Aid
3	1	9120-160AM-000-000	QC-160 Master Base Assembly, No Options
4	1	9120-160FT-000-000	QC-160 Tool Base Assembly

Notes:  
 1. The purpose of this drawing is to show a preliminary concept for the QC-160 Teaching Aids.  
 2. Design is subject to change.  
 3. Slots used for End Effector Alignment.

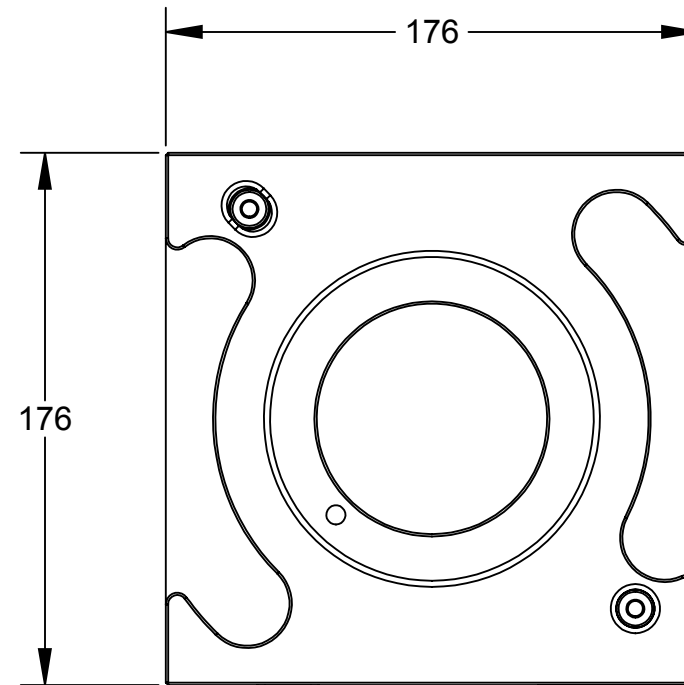
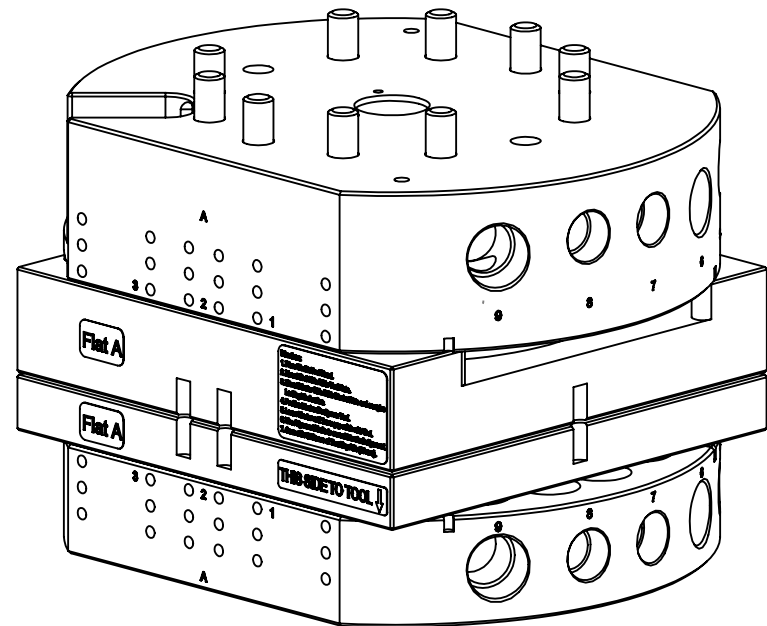
NOTES: UNLESS OTHERWISE SPECIFIED.  
 DO NOT SCALE DRAWING. ALL DIMENSIONS ARE IN MILLIMETERS.



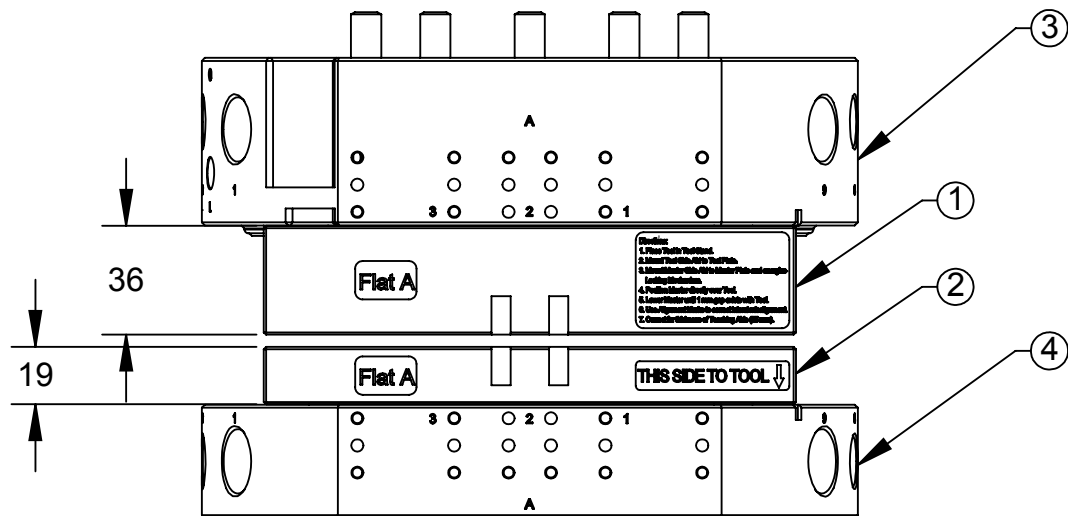
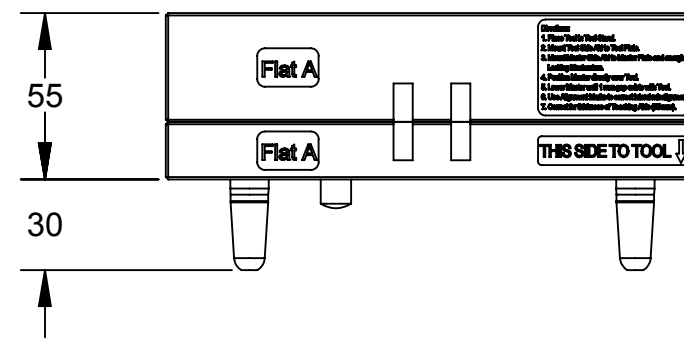
1031 Goodworth Drive, Apex, NC 27539, USA  
 Tel: +1.919.772.0115 Email: info@ati-ia.com  
 Fax: +1.919.772.8259 www.ati-ia.com  
 ISO 9001 Registered Company

PROPERTY OF ATI INDUSTRIAL AUTOMATION, INC. NOT TO BE REPRODUCED IN ANY MANNER EXCEPT ON ORDER OR WITH PRIOR WRITTEN AUTHORIZATION OF ATI.

DRAWN BY: B. Kendrick 7/14/14		TITLE	
CHECKED BY: M. Gala 7/14/14		QC-160 Teaching Aid Customer Drawing	
PROJECT # 140512-1	SHEET 1 OF 2	SCALE 1:2	SIZE B
		DRAWING NUMBER 9230-20-7754	REVISION 02



QC-160 Hidden for clarity



NOTES: UNLESS OTHERWISE SPECIFIED.

DO NOT SCALE DRAWING. ALL DIMENSIONS ARE IN MILLIMETERS.



3rd ANGLE PROJECTION



1031 Goodworth Drive, Apex, NC 27539, USA  
 Tel: +1.919.772.0115 Email: info@ati-ia.com  
 Fax: +1.919.772.8259 www.ati-ia.com  
 ISO 9001 Registered Company

PROPERTY OF ATI INDUSTRIAL AUTOMATION, INC. NOT TO BE REPRODUCED IN ANY MANNER EXCEPT ON ORDER OR WITH PRIOR WRITTEN AUTHORIZATION OF ATI.

DRAWN BY: B. Kendrick 7/14/14		TITLE		
CHECKED BY: M. Gala 7/14/14		QC-160 Teaching Aid Customer Drawing		
PROJECT # 140512-1	SHEET 2 OF 2	SCALE 2:5	SIZE B	DRAWING NUMBER 9230-20-7754
				REVISION 02