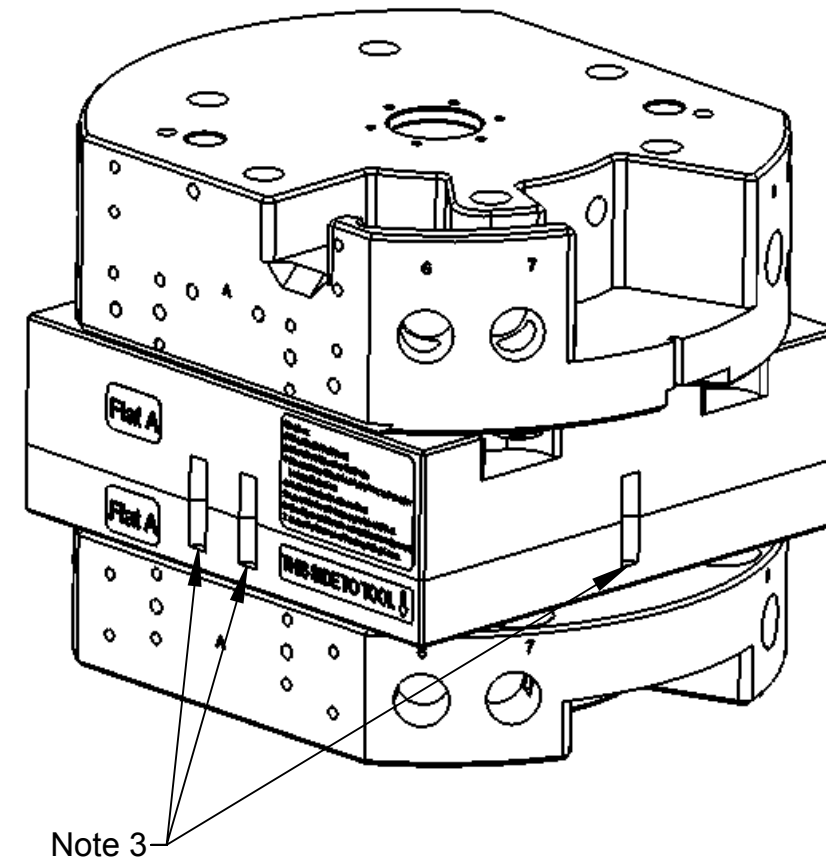
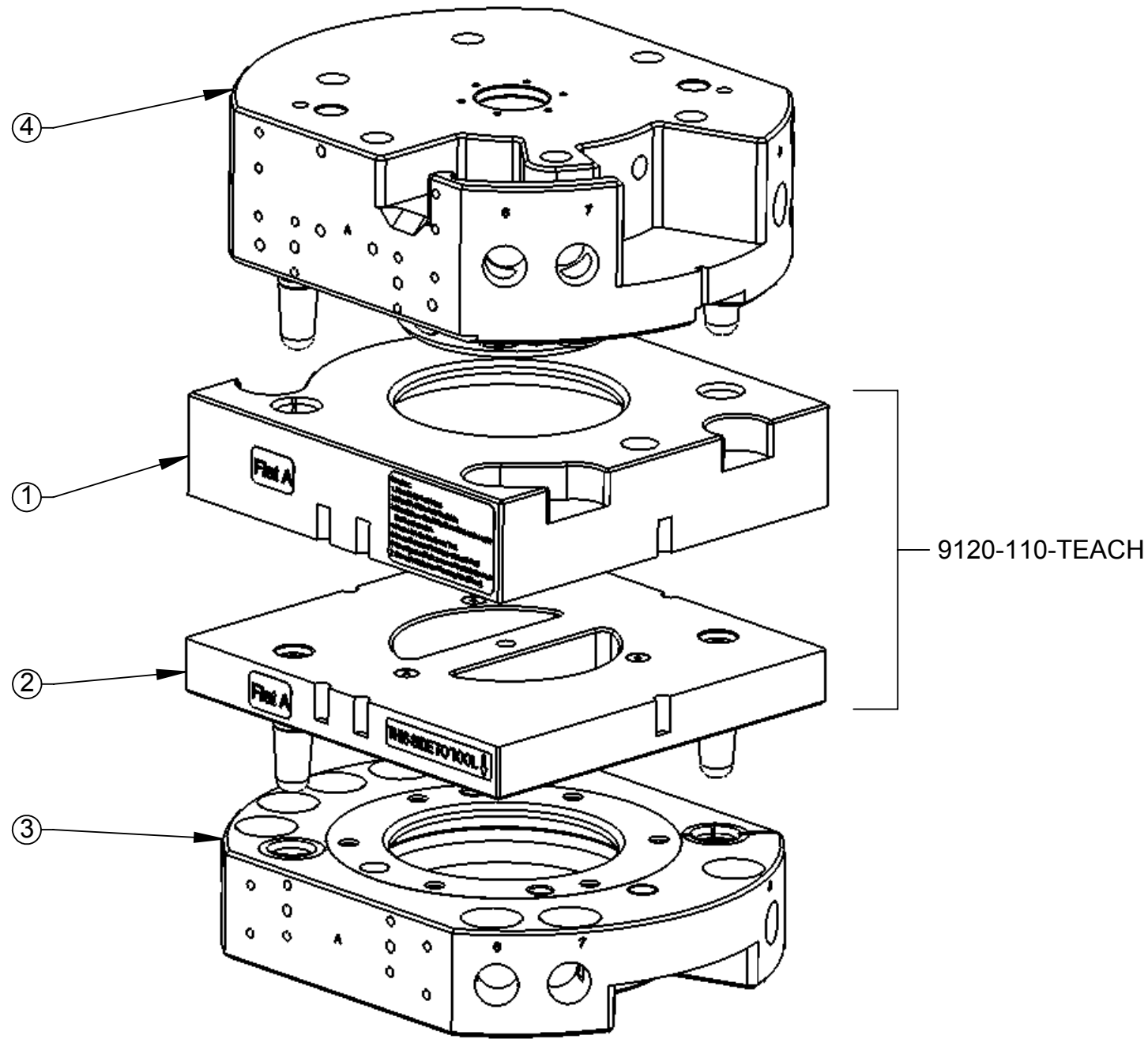


Rev.	Description	Initiator	Date
01P	Initial Drawing	DBoh	6/27/2014



ITEM NO.	QTY.	PART NUMBER	DESCRIPTION
1	1	9005-20-2328	QC-110 Master Side Teaching Aid
2	1	9005-20-2329	QC-110 Tool Side Teaching Aid
3	1	9120-110FT-000-000	QC-110 Tool Assembly, 80mm Recess, NPT
4	1	9120-110NM-000-000	QC-110 Master Assembly, NPT

- Notes:
1. The purpose of this drawing is to show a preliminary concept for QC-110 Teaching Aids.
 2. Design is subject to change.
 3. Slots used for End Effector Alignment.

NOTES: UNLESS OTHERWISE SPECIFIED.

DO NOT SCALE DRAWING. ALL DIMENSIONS ARE IN MILLIMETERS.



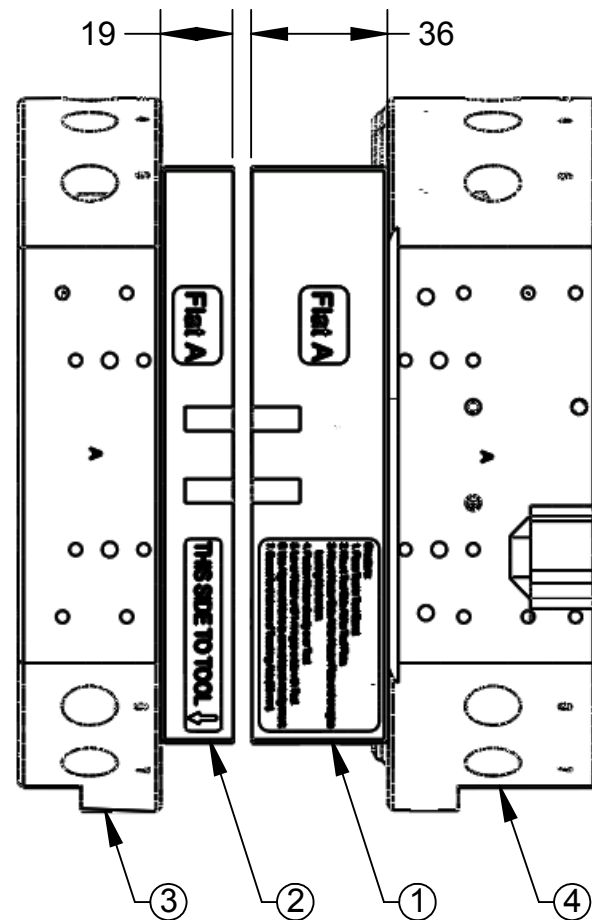
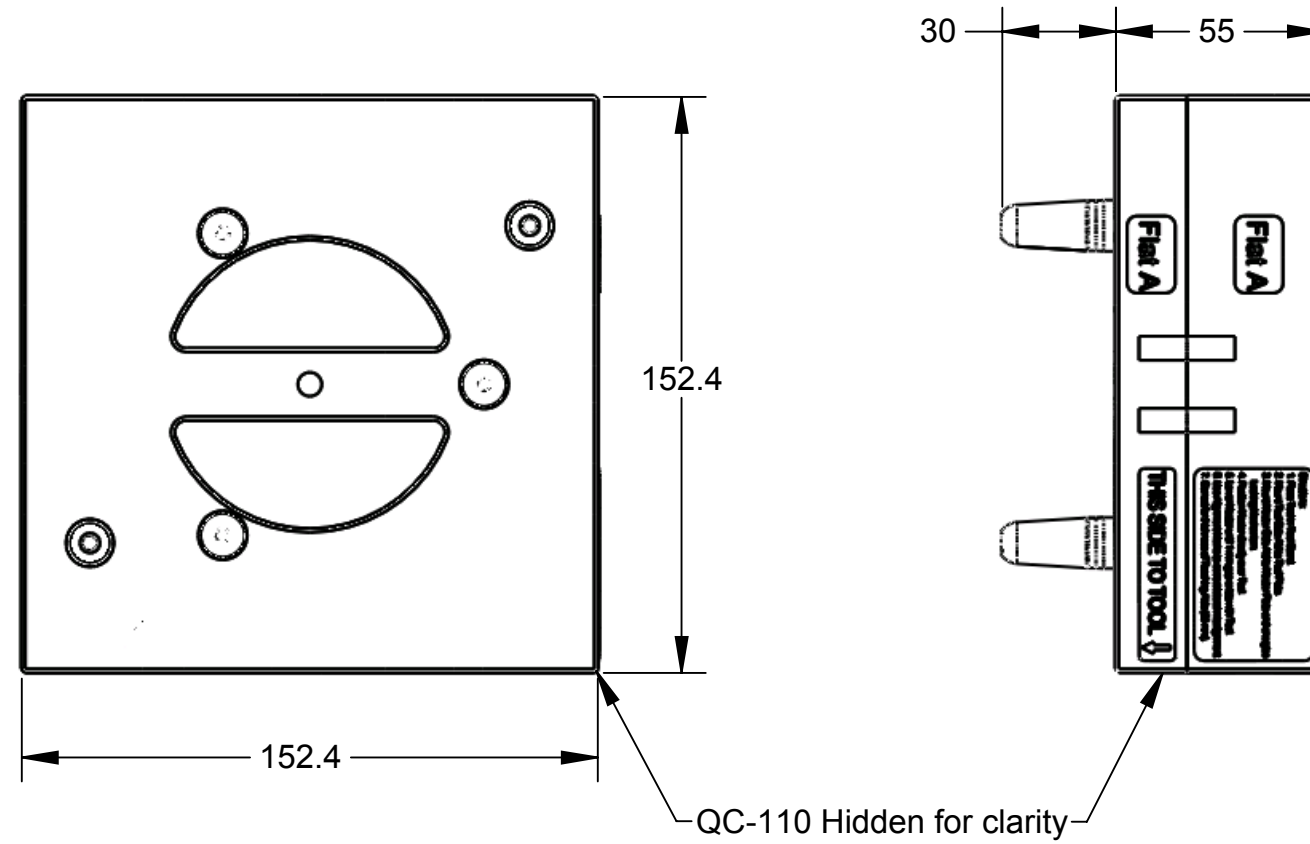
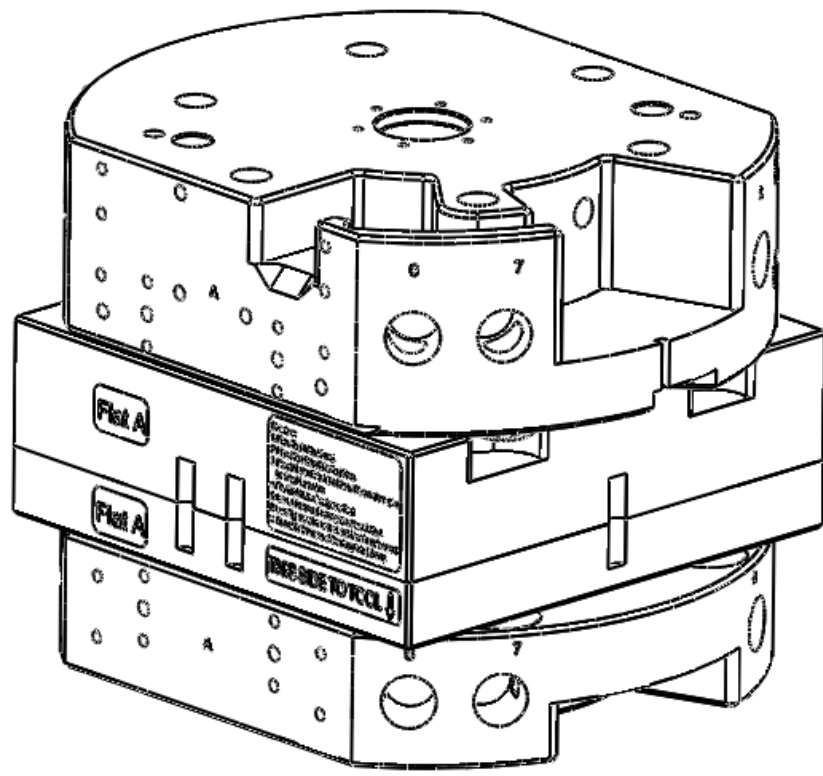
3rd ANGLE PROJECTION



1031 Goodworth Drive, Apex, NC 27539, USA
 Tel: +1.919.772.0115 Email: info@ati-ia.com
 Fax: +1.919.772.8259 www.ati-ia.com
 ISO 9001 Registered Company

PROPERTY OF ATI INDUSTRIAL AUTOMATION, INC. NOT TO BE REPRODUCED IN ANY MANNER EXCEPT ON ORDER OR WITH PRIOR WRITTEN AUTHORIZATION OF ATI.

DRAWN BY: D. Bohle 6/26/2014		TITLE	
CHECKED BY: K. Zachary 7/17/2014		QC-110 Teaching Aids	
PROJECT # 140625-1	SHEET 1 OF 2	SCALE 1:5	REVISION 01
		SIZE B	DRAWING NUMBER 9230-20-7748



NOTES: UNLESS OTHERWISE SPECIFIED.

DO NOT SCALE DRAWING. ALL DIMENSIONS ARE IN MILLIMETERS.



3rd ANGLE PROJECTION



1031 Goodworth Drive, Apex, NC 27539, USA
 Tel: +1.919.772.0115 Email: info@ati-ia.com
 Fax: +1.919.772.8259 www.ati-ia.com
 ISO 9001 Registered Company

PROPERTY OF ATI INDUSTRIAL AUTOMATION, INC. NOT TO BE REPRODUCED IN ANY MANNER EXCEPT ON ORDER OR WITH PRIOR WRITTEN AUTHORIZATION OF ATI.

DRAWN BY: D. Bohle 6/26/2014		TITLE	
CHECKED BY: K. Zachary 7/17/2014		QC-110 Teaching Aids	
PROJECT # 140625-1	SHEET 2 OF 2	SCALE 1:5	SIZE B
		DRAWING NUMBER	REVISION
		9230-20-7748	01