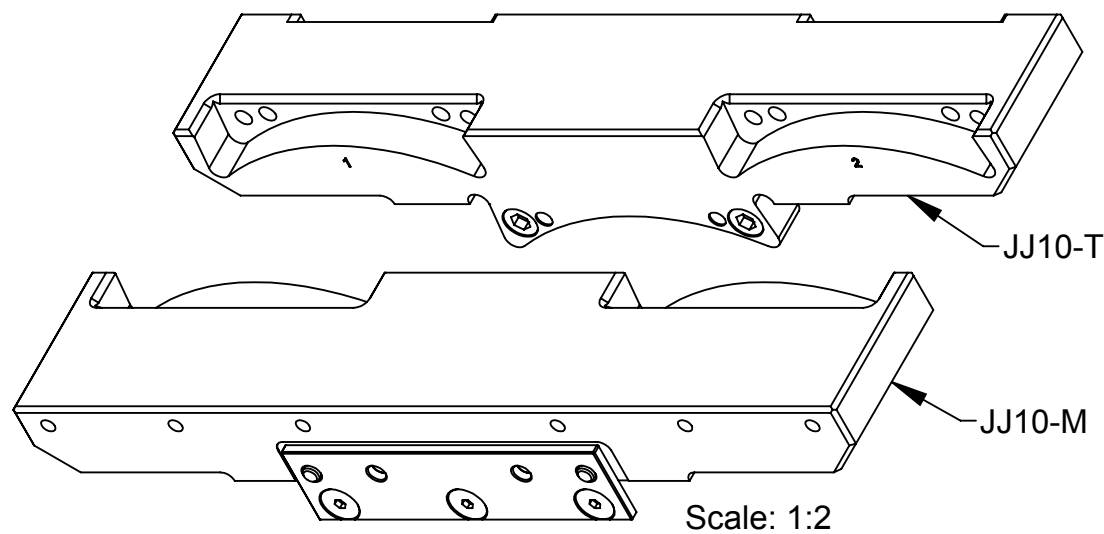
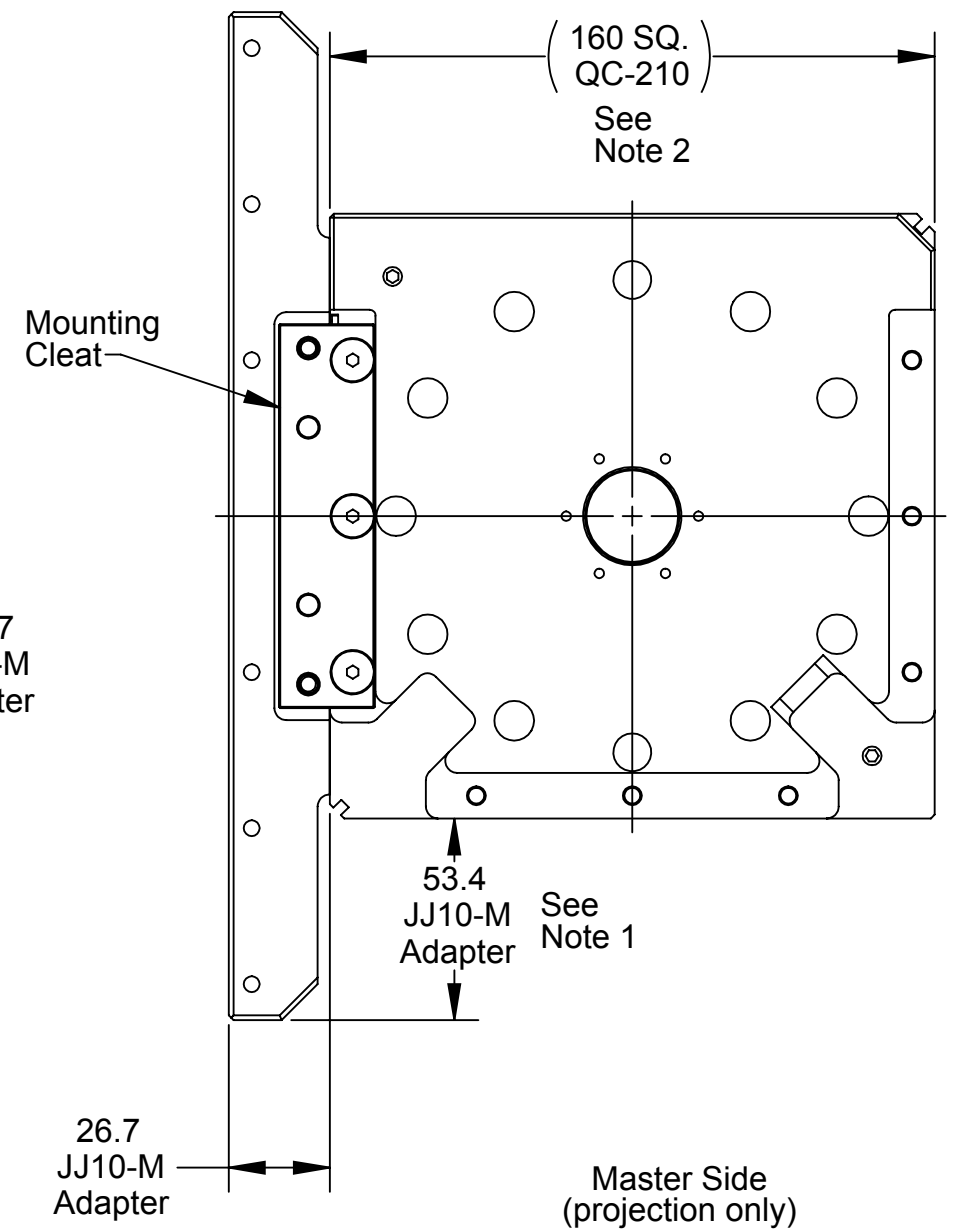
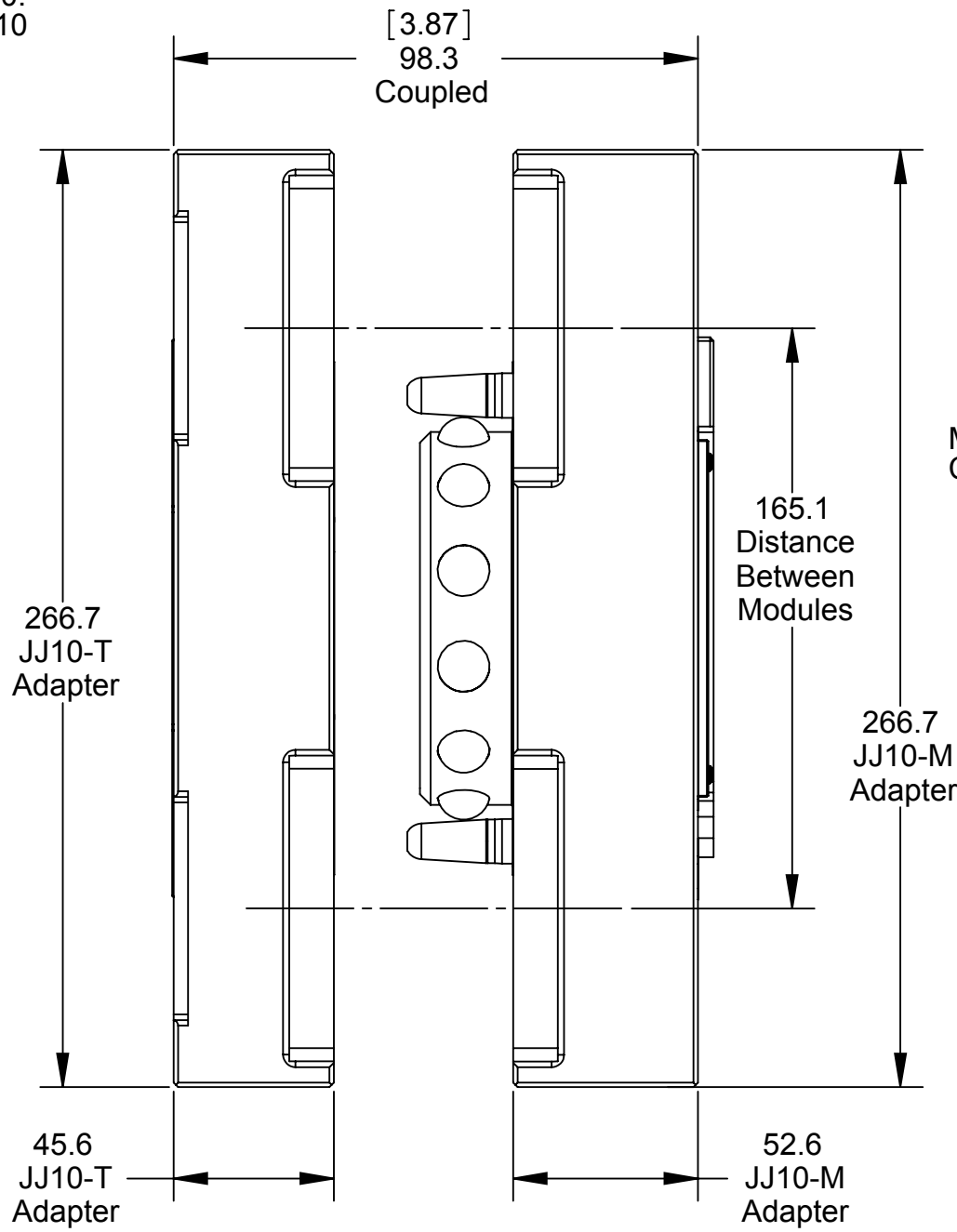
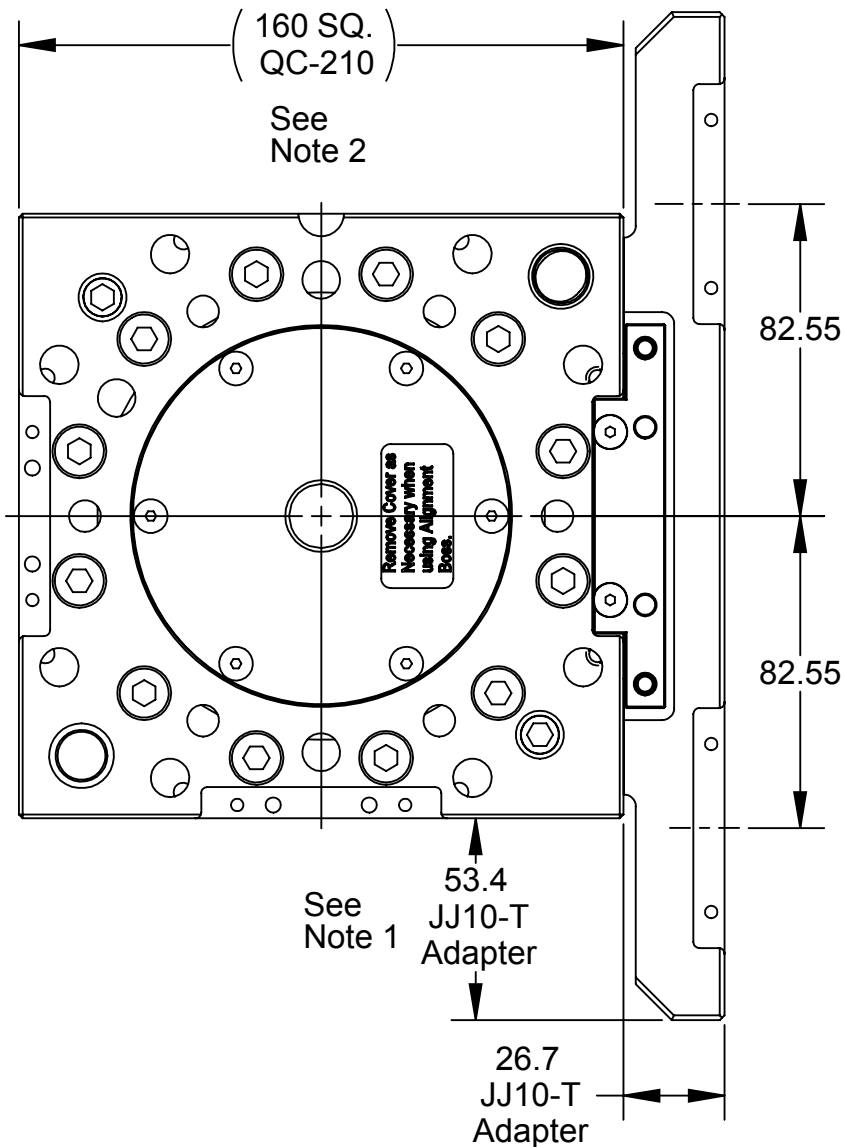


**Notes:**

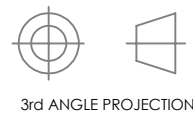
1. The JJ10 Adapter may interfere with adjacent modules.  
Please consult an ATI application engineer prior to specifying the JJ10.
2. For reference the JJ10 is shown on a QC-210 on sheet 1, on a QC-310 on sheet 2, and on a QC-510 on sheet3.
3. Cannot be mounted on Flat A.

Rev.	Description	Initiator	Date
01	Initial Release	PDL	5/25/2010
02	Eco 9471; Changed JJ10 adapter length to 10.5"	PDL	2/21/2012



NOTES: UNLESS OTHERWISE SPECIFIED.

DO NOT SCALE DRAWING. ALL DIMENSIONS ARE IN MILLIMETERS.

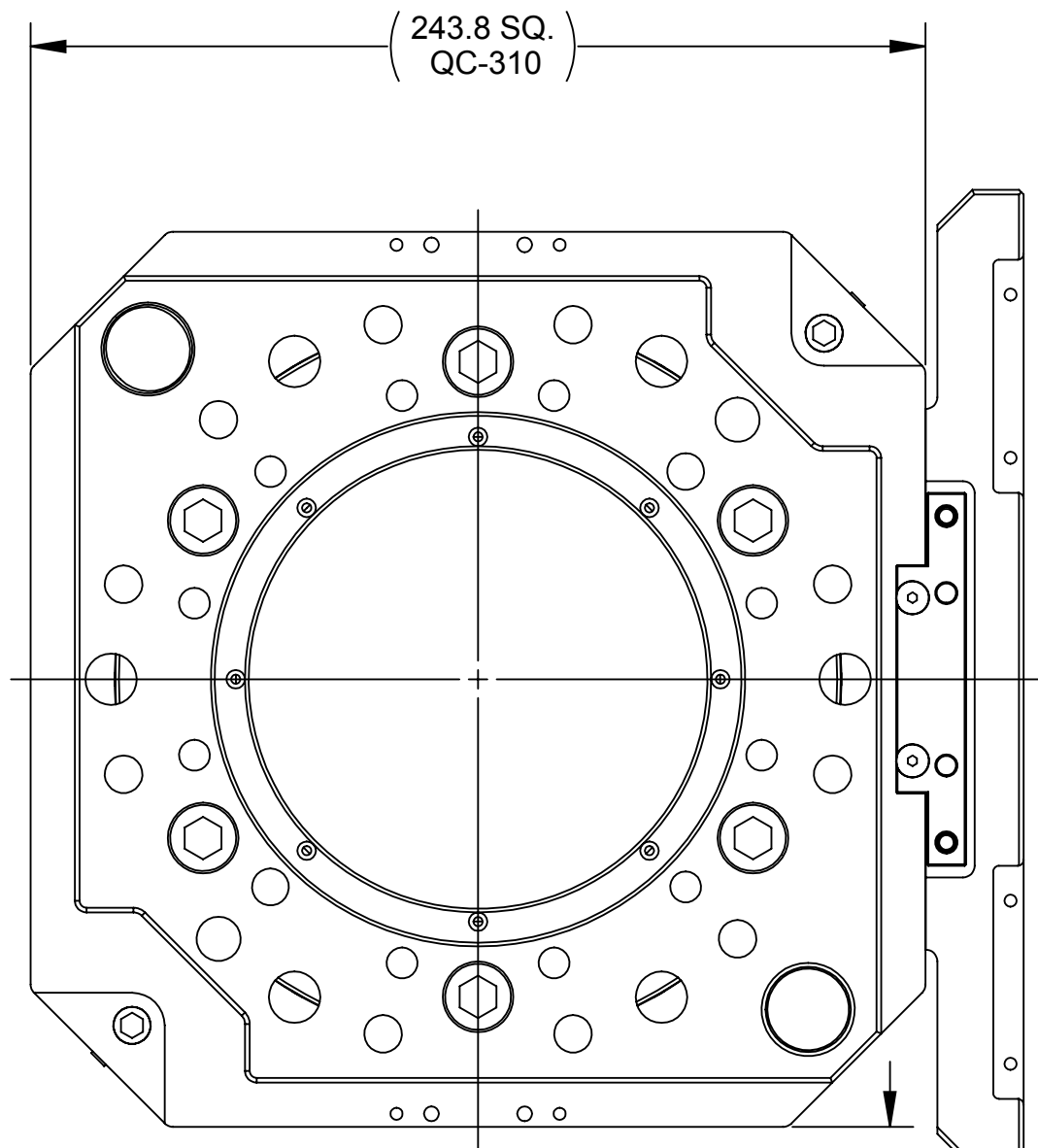


1031 Goodworth Drive, Apex, NC 27539, USA  
 Tel: +1.919.772.0115 Email: info@ati-ia.com  
 Fax: +1.919.772.8259 www.ati-ia.com  
 ISO 9001 Registered Company

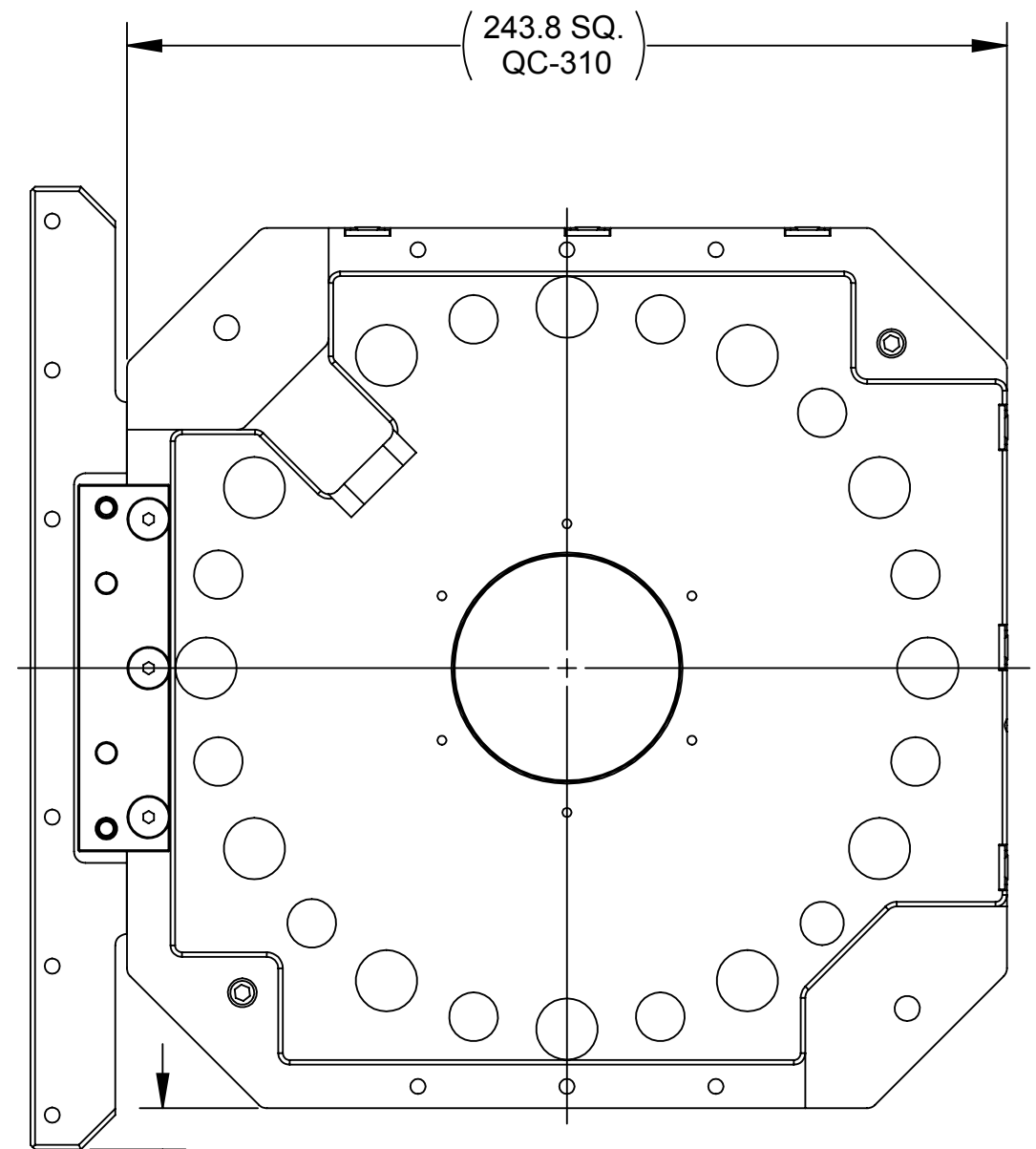
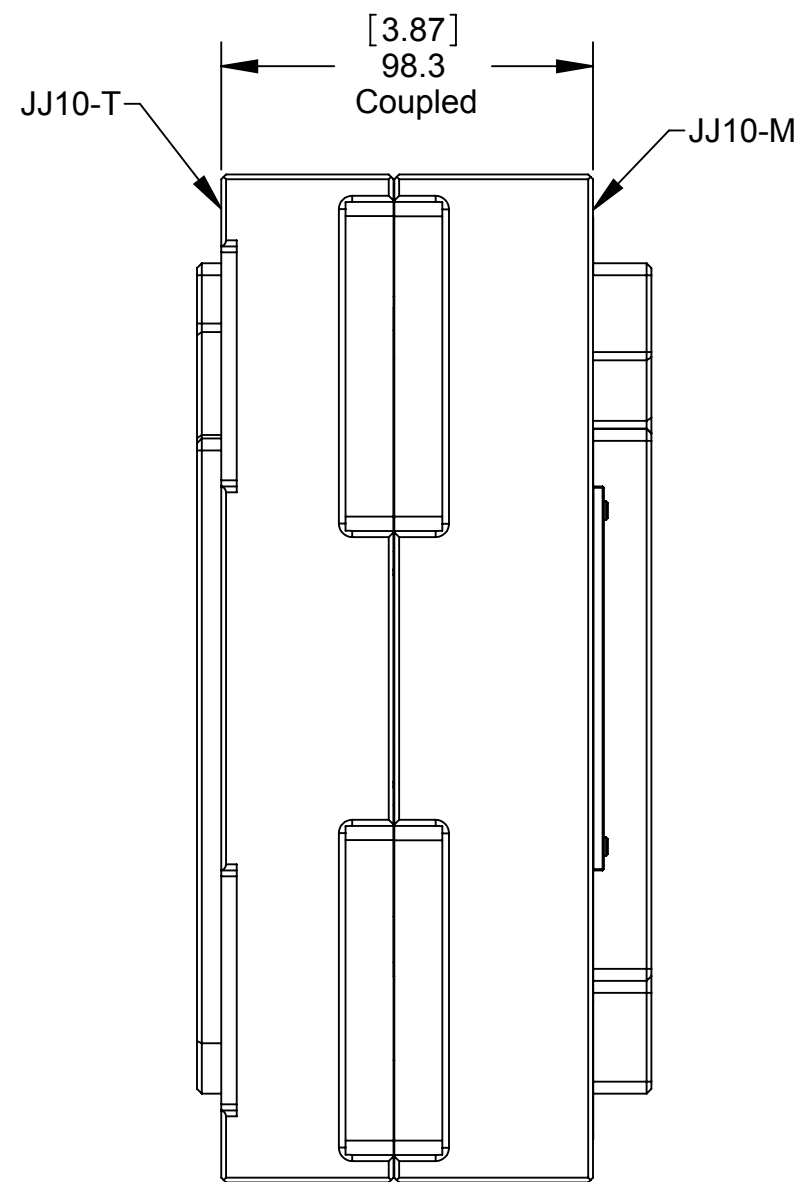
PROPERTY OF ATI INDUSTRIAL AUTOMATION, INC. NOT TO BE REPRODUCED IN ANY MANNER EXCEPT ON ORDER OR WITH PRIOR WRITTEN AUTHORIZATION OF ATI.

DRAWN BY: P.Luczka, 05/10/10		TITLE	
CHECKED BY: W.Berrocal, 05/26/10		9121-JJ10 Tool and Master Customer drawing	
PROJECT #	100507-1	SHEET	OF 3
SCALE	1:2	SIZE	B
DRAWING NUMBER	9230-20-3212	REVISION	02

Rev.	Description	Initiator	Date
-	See Sheet1	-	-



See Note 1 (Sheet 1)  
11.4 JJ10-T Adapter



11.4 JJ10-M Adapter  
See Note 1 (Sheet 1)

NOTES: UNLESS OTHERWISE SPECIFIED.

DO NOT SCALE DRAWING. ALL DIMENSIONS ARE IN MILLIMETERS.



3rd ANGLE PROJECTION

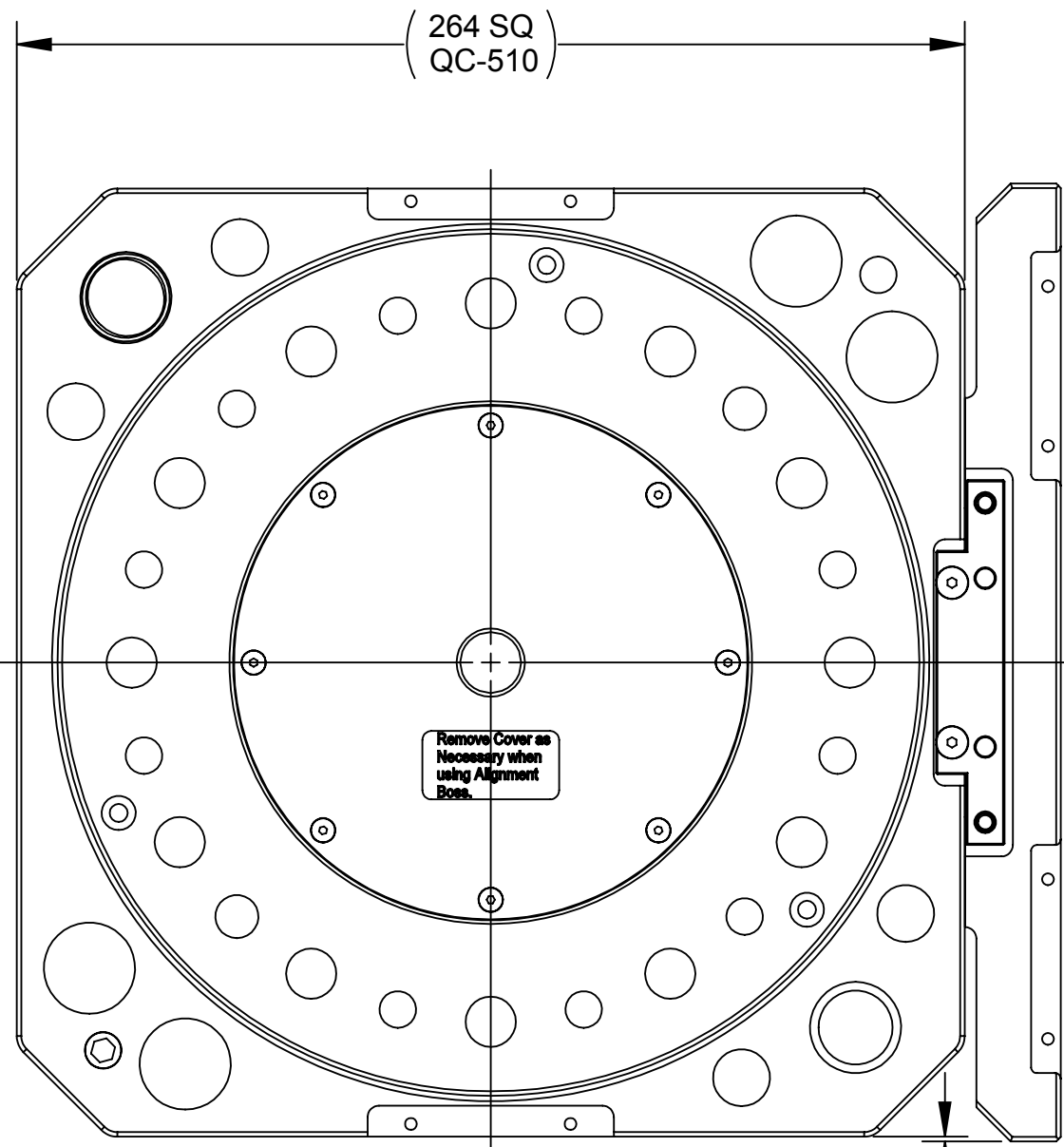


1031 Goodworth Drive, Apex, NC 27539, USA  
Tel: +1.919.772.0115 Email: info@ati-ia.com  
Fax: +1.919.772.8259 www.ati-ia.com  
ISO 9001 Registered Company

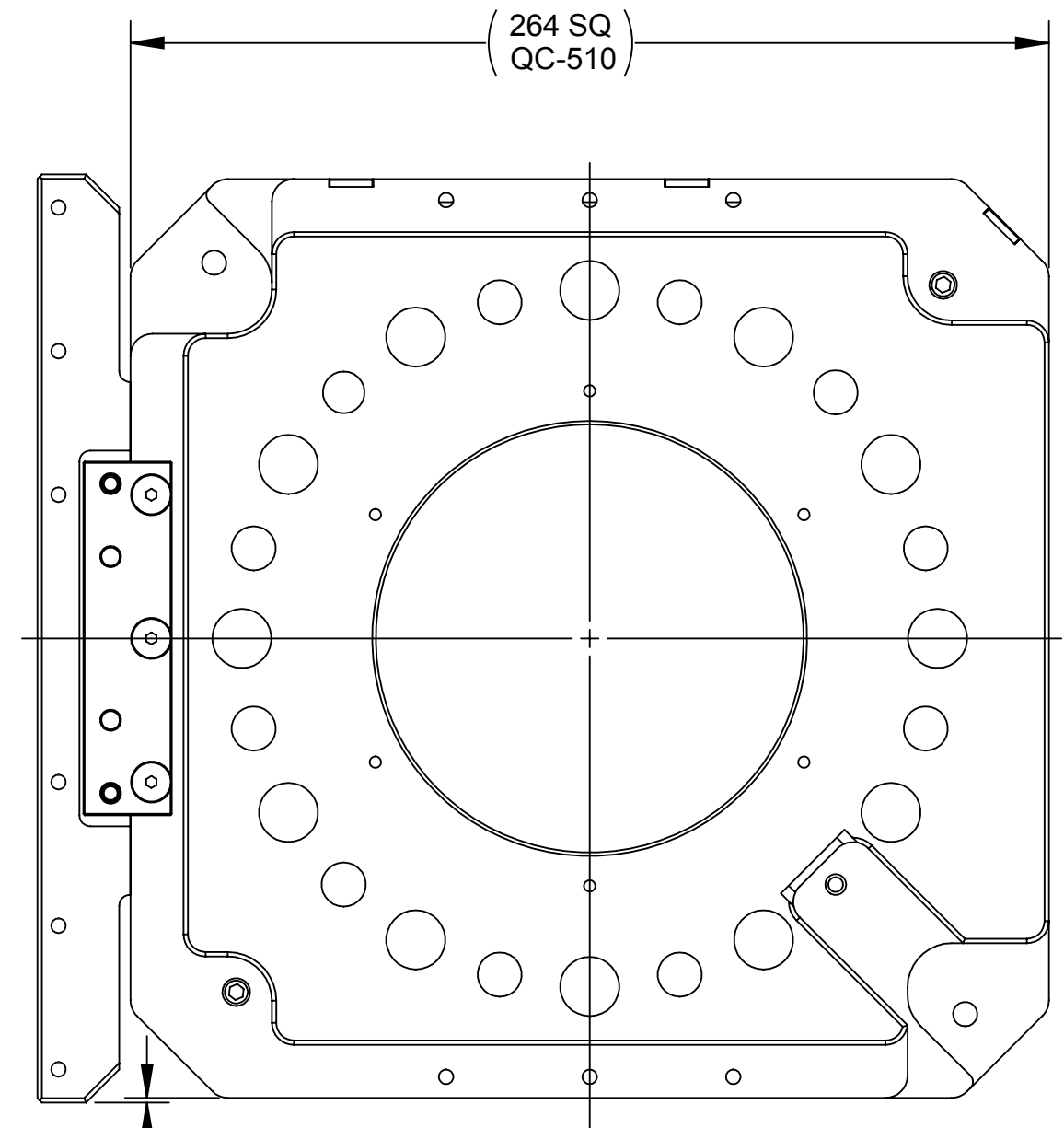
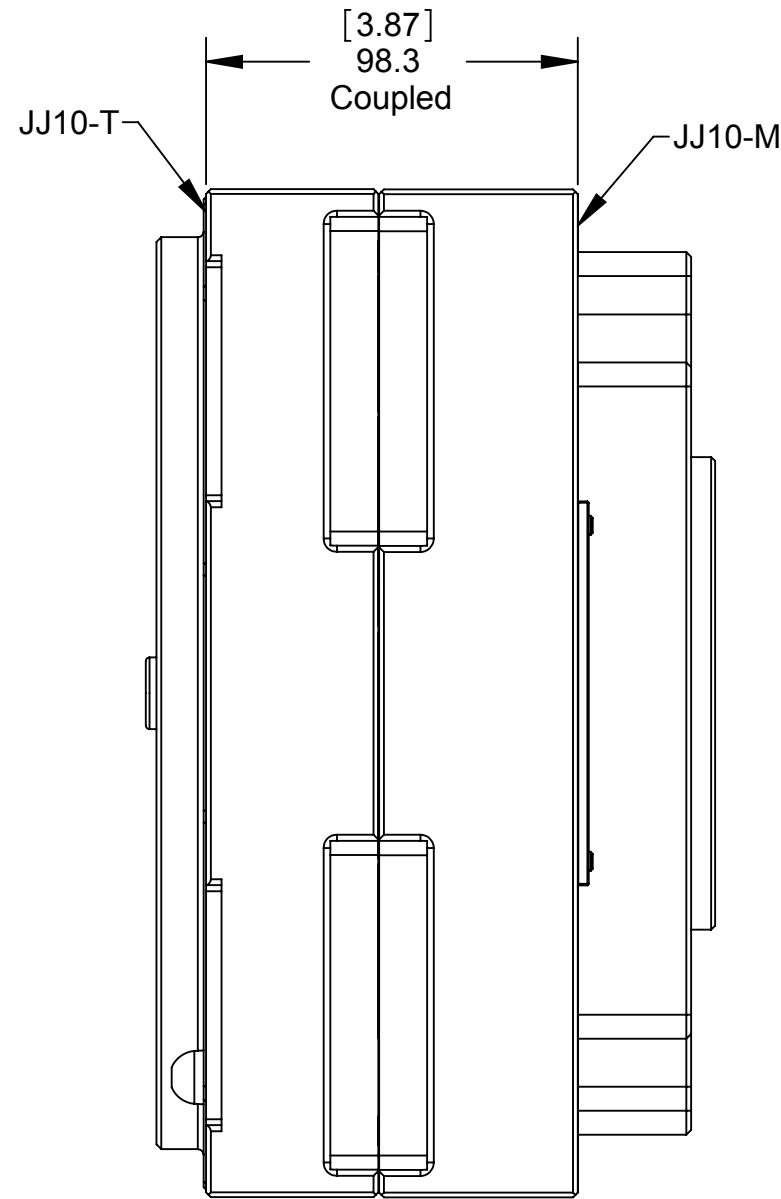
PROPERTY OF ATI INDUSTRIAL AUTOMATION, INC. NOT TO BE REPRODUCED IN ANY MANNER EXCEPT ON ORDER OR WITH PRIOR WRITTEN AUTHORIZATION OF ATI.

DRAWN BY: P.Luczka, 05/10/10		TITLE	
CHECKED BY: W.Berrocal, 05/26/10		9121-JJ10 Tool and Master Customer drawing	
PROJECT #	100507-1	SHEET	OF 3
SCALE	1:2	SIZE	B
DRAWING NUMBER	9230-20-3212	REVISION	02

Rev.	Description	Initiator	Date
-	See Sheet1	-	-



See Note 1 (Sheet 1)  
1.3 JJ10-T Adapter



1.3 JJ10-M adapter  
See Note 1 (Sheet 1)

NOTES: UNLESS OTHERWISE SPECIFIED.

DO NOT SCALE DRAWING. ALL DIMENSIONS ARE IN MILLIMETERS.



3rd ANGLE PROJECTION



1031 Goodworth Drive, Apex, NC 27539, USA  
Tel: +1.919.772.0115 Email: info@ati-ia.com  
Fax: +1.919.772.8259 www.ati-ia.com  
ISO 9001 Registered Company

PROPERTY OF ATI INDUSTRIAL AUTOMATION, INC. NOT TO BE REPRODUCED IN ANY MANNER EXCEPT ON ORDER OR WITH PRIOR WRITTEN AUTHORIZATION OF ATI.

DRAWN BY: P.Luczka, 05/10/10		TITLE	
CHECKED BY: W.Berrocal, 05/26/10		9121-JJ10 Tool and Master Customer drawing	
PROJECT #	100507-1	SHEET	3 OF 3
SCALE	1:2	SIZE	B
DRAWING NUMBER	9230-20-3212	REVISION	02