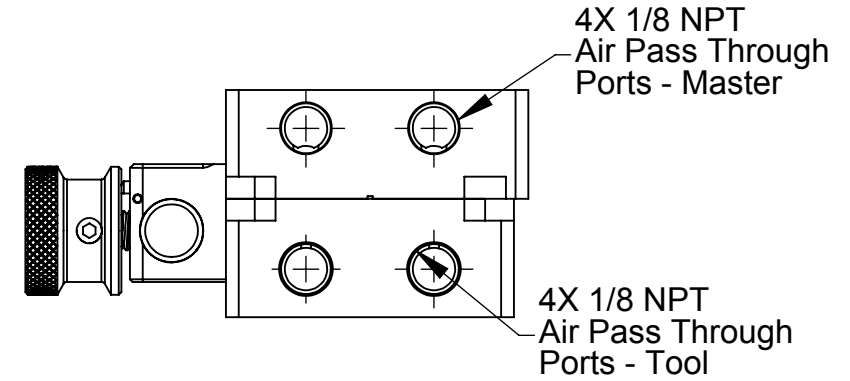
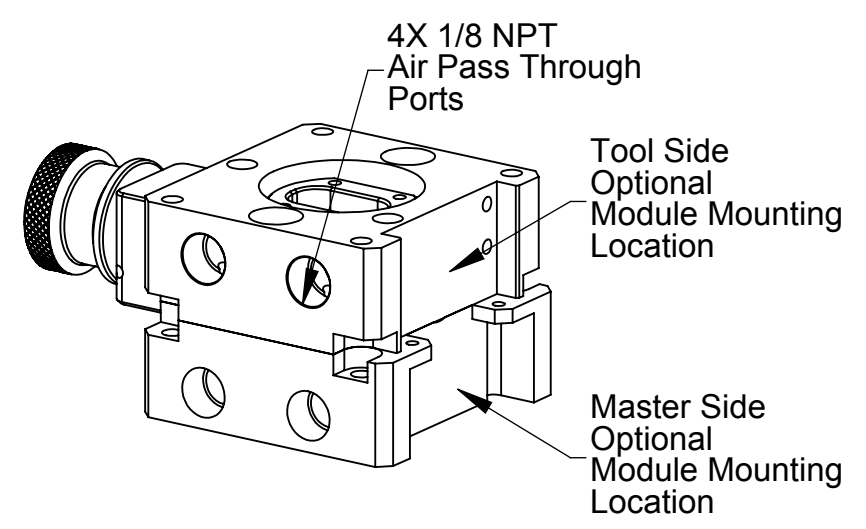
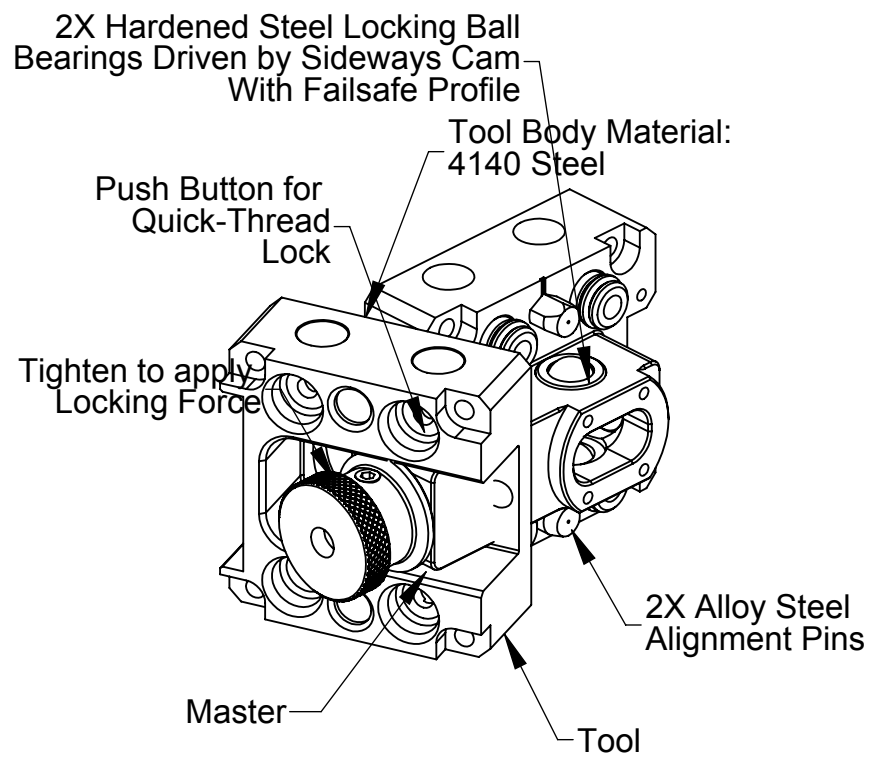
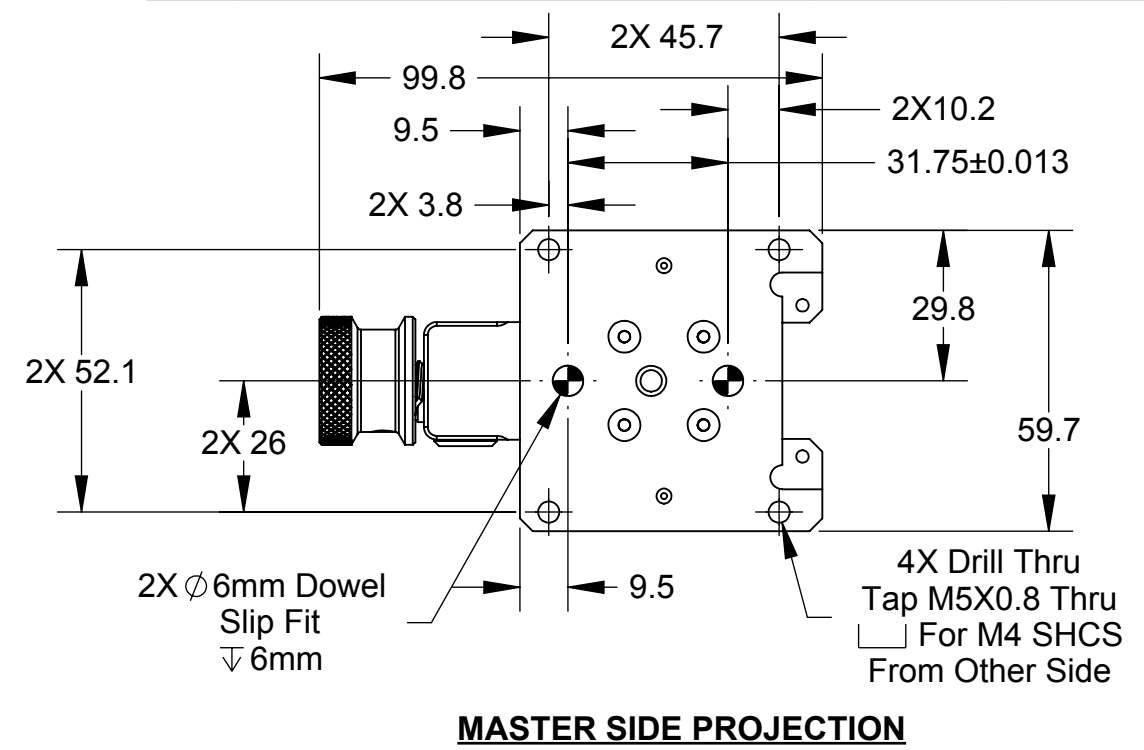
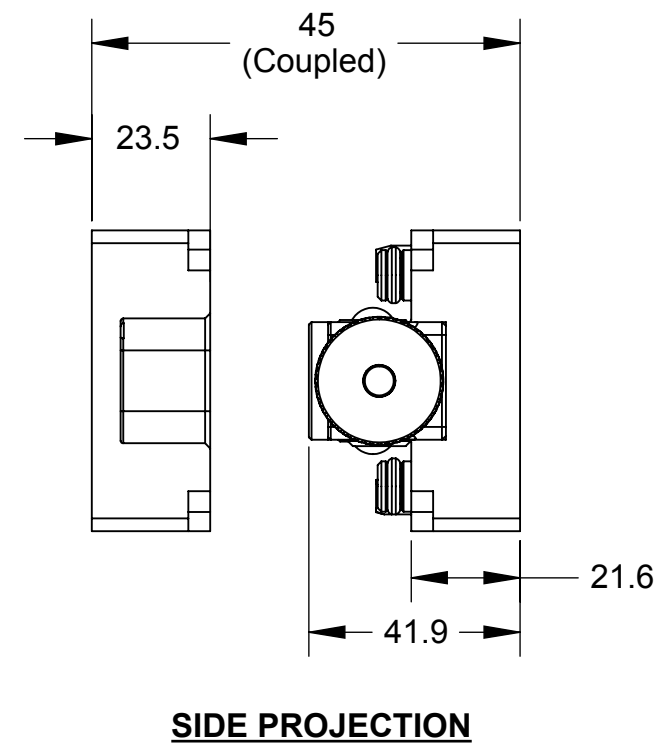
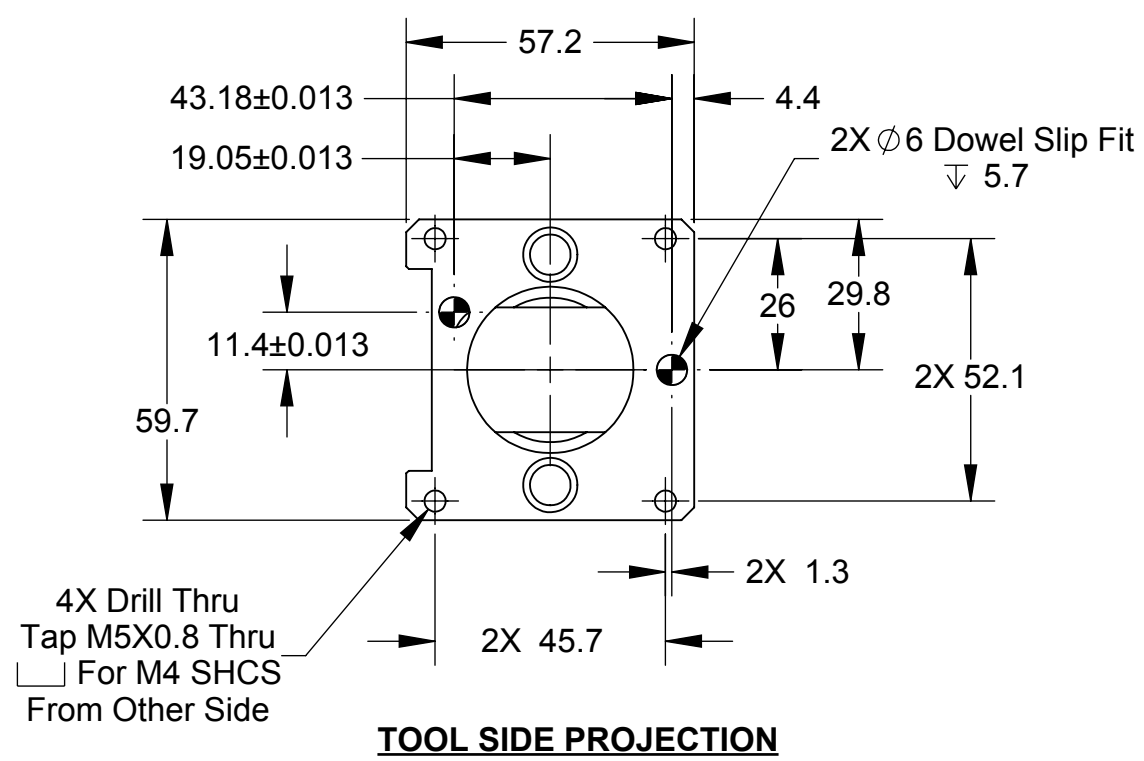


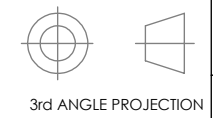
Rev.	Description	Initiator	Date
02	Drawing Update	DAN	7/13/09
03	Changed Dim	DAN	8/13/10
04	Eco 9568; Changed decimal places on the following dims: 43.2 to 43.18, 19.1 to 19.05, & 31.8 to 31.75	CF	4/11/2012



- Notes:
1. Suggested Payload Limit: 35 lbs  
Pneumatic Pass Through: (4) 1/8" NPT
  2. Unit Features one additional module mounting flat
  3. Compatible Modules: D series and K series electrical modules

NOTES: UNLESS OTHERWISE SPECIFIED.

DO NOT SCALE DRAWING. ALL DIMENSIONS ARE IN MILLIMETERS.



1031 Goodworth Drive, Apex, NC 27539, USA  
Tel: +1.919.772.0115 Email: info@ati-ia.com  
Fax: +1.919.772.8259 www.ati-ia.com  
ISO 9001 Registered Company

PROPERTY OF ATI INDUSTRIAL AUTOMATION, INC. NOT TO BE REPRODUCED IN ANY MANNER EXCEPT ON ORDER OR WITH PRIOR WRITTEN AUTHORIZATION OF ATI.

DRAWN BY: Dan Norton, 4/9/09		TITLE	
CHECKED BY: D. Wagner, 4/16/12		Manual Coupler with Quick Action Screw Lock	
PROJECT # 070724-1	SHEET 1 OF 1	SCALE 1:1.5	SIZE B
		DRAWING NUMBER 9230-20-2945	REVISION 04