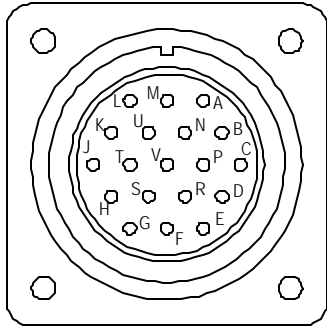


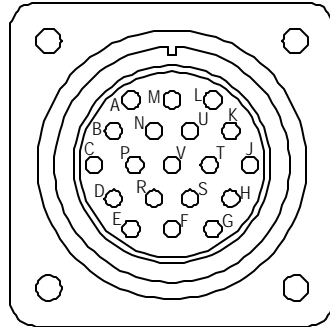
PROPERTY OF ATI INDUSTRIAL AUTOMATION, INC.
 NOT TO BE REPRODUCED IN ANY MANNER EXCEPT ON
 ORDER OR WITH PRIOR WRITTEN AUTHORIZATION OF ATI.

Rev.	Description	Initiator	Date
02	Description T19W-M was T19M-W	JHS	4/13/2005



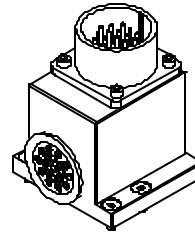
Face View Pins Master Connector
 PN 1510-1313001-19 (MS3102E22-14P)
 Mates:

Straight PN 1510-2313003-19 (MS3106A22-14S(SR))
 90° PN 1510-2312003-19 (MS3108A22-14S(SR))

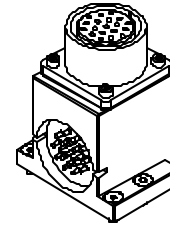


Face View Pins Tool Connector
 PN 1510-2313001-19 (MS3102E22-14S)
 Mates:

Straight PN 1510-1313002-19 (MS3106A22-14P(SR))
 90° PN 1510-1312003-19 (MS3108A22-14(SR))

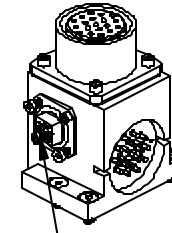


T19M

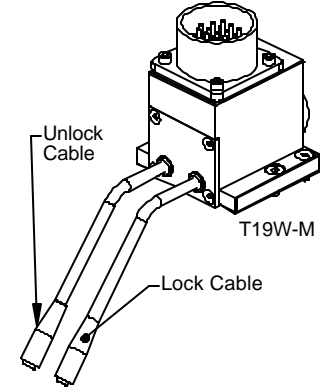


T19T

Selector Switch
 (shown without cover)



T14T



T19W-M

T19M PIN	TO	T19T Socket
A	-----	A
B	-----	B
C	-----	C
D	-----	D
E	-----	E
F	-----	F
G	-----	G
H	-----	H
J	-----	J
K	-----	K
L	-----	L
M	-----	M
N	-----	N
P	-----	P
R	-----	R
S	-----	S
T	-----	T
U	-----	U
V	-----	V
	Ground	

T19M PIN	TO	T14T Socket
A	-----	A
B	-----	B
C	-----	C
D	-----	D
E	-----	E
F	-----	F
G	-----	G
H	-----	H
J	-----	J
K	-----	K
L	-----	L
M	-----	M
N	-----	N
P	-----	P No Connect
R	-----	R No Connect
S	-----	S No Connect
T	-----	T No Connect
U	-----	U No Connect
V	-----	V
	Ground	

See Tool ID
 Truth
 Table
 below

T19W-M PIN	TO	T14T Socket
A	-----	A
B	-----	B
C	-----	C No Connect
D	-----	D No Connect
E	-----	E
F	-----	F
G	-----	G
H	-----	H No Connect
J	-----	J
K	-----	K No Connect
L	-----	L
M	-----	M
N	-----	N
P	-----	P No Connect
R	-----	R No Connect
S	-----	S No Connect
T	-----	T No Connect
U	-----	U No Connect
V	-----	V
	Ground	

See Tool ID
 Truth
 Table
 below

T19W-M PIN	TO	T19T Socket
A	-----	A
B	-----	B
C	-----	C No Connect
D	-----	D No Connect
E	-----	E
F	-----	F
G	-----	G
H	-----	H No Connect
J	-----	J
K	-----	K No Connect
L	-----	L
M	-----	M
N	-----	N
P	-----	P
R	-----	R
S	-----	S
T	-----	T
U	-----	U
V	-----	V
	Ground	

Tool ID
 Selector Switch
 Truth Table
 (10 unique settings)
 Common:
 50VDC @100ma
 Refers to Master

Switch Position	Pin P	Pin S	Pin R	Pin T
0	0	0	0	0
1	0	0	0	1
2	0	0	1	0
3	0	0	1	1
4	0	1	0	0
5	0	1	0	1
6	0	1	1	0
7	0	1	1	1
8	1	0	0	0
9	1	0	0	1

NOTES: UNLESS OTHERWISE SPECIFIED
 DO NOT SCALE DRAWING. DRAWN IN SOLIDWORKS.
 ALL DIMENSIONS ARE IN MILLIMETERS.



3rd ANGLE PROJECTION



1031 Goodworth Drive, Apex, NC 27539, USA
 Tel: +1.919.772.0115 Email: info@ati-ia.com
 Fax: +1.919.772.8259 www.ati-ia.com
 ISO 9001 Registered Company

DRAWN BY: T.Wojcik 4/25/01	TITLE T19 Module Pin Outs		
CHECKED BY: JHS 4/3/01	SCALE 1:1	SIZE B	DRAWING NUMBER 9230-20-144302
WEIGHT LBS:	PRODUCT RELEASE #	DATE:	SHEET 1 of 1
ASSEMBLY REF:			