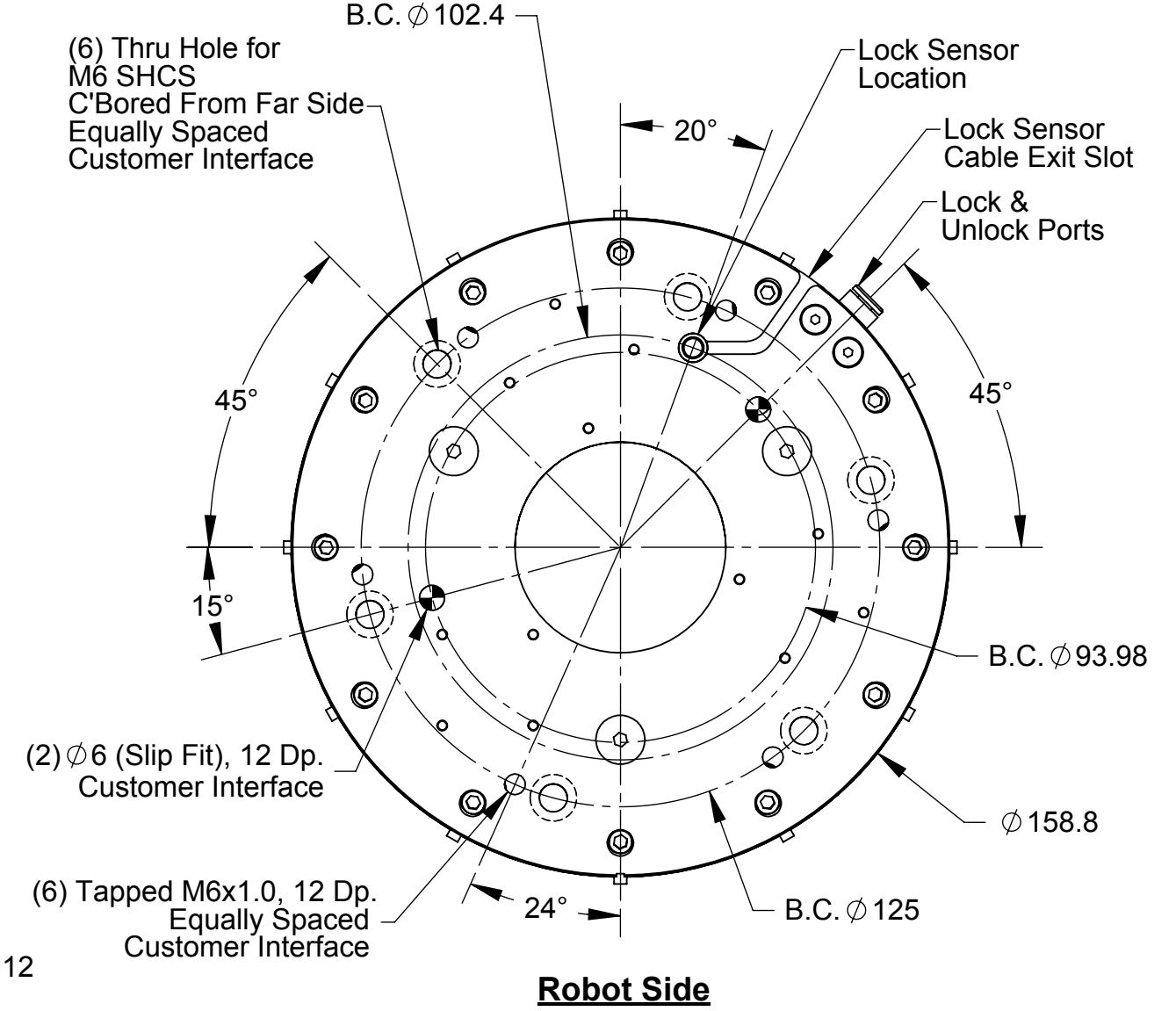
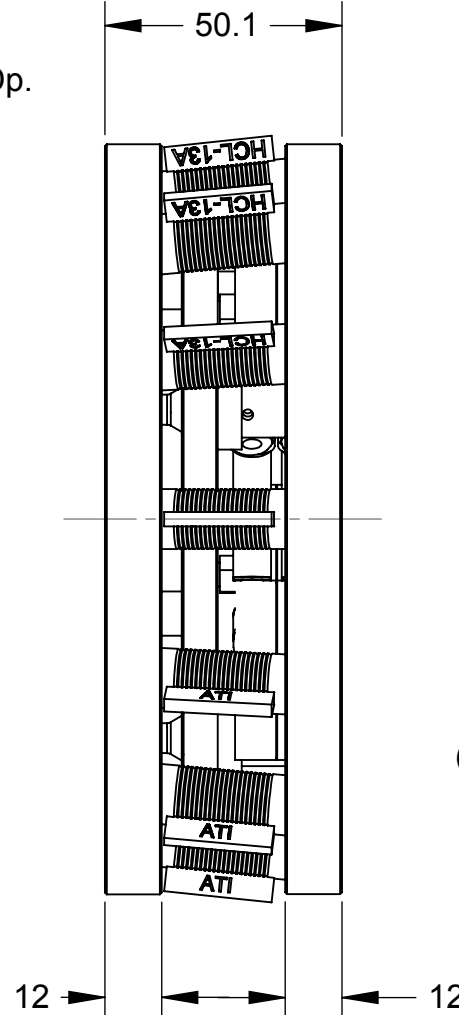
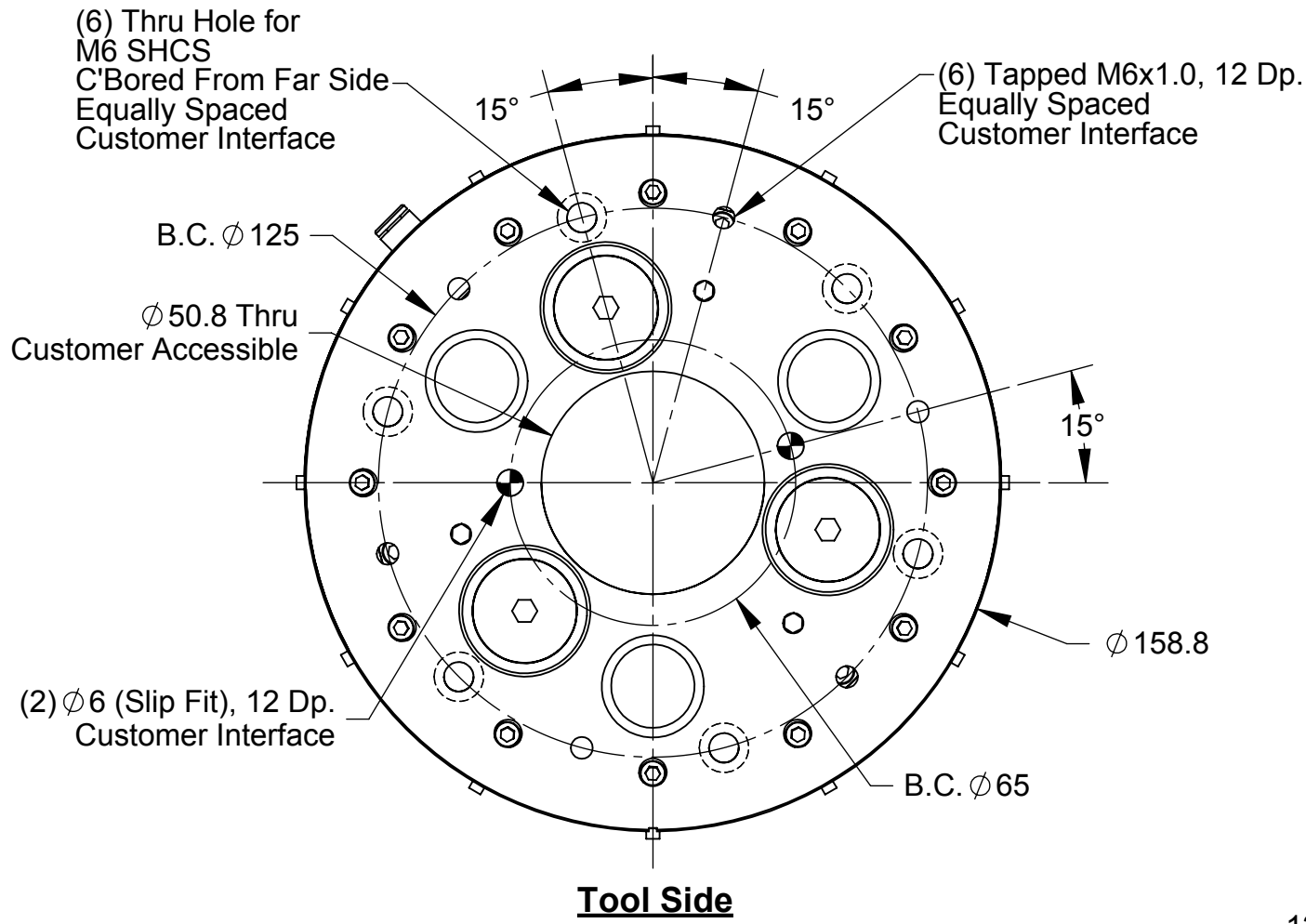
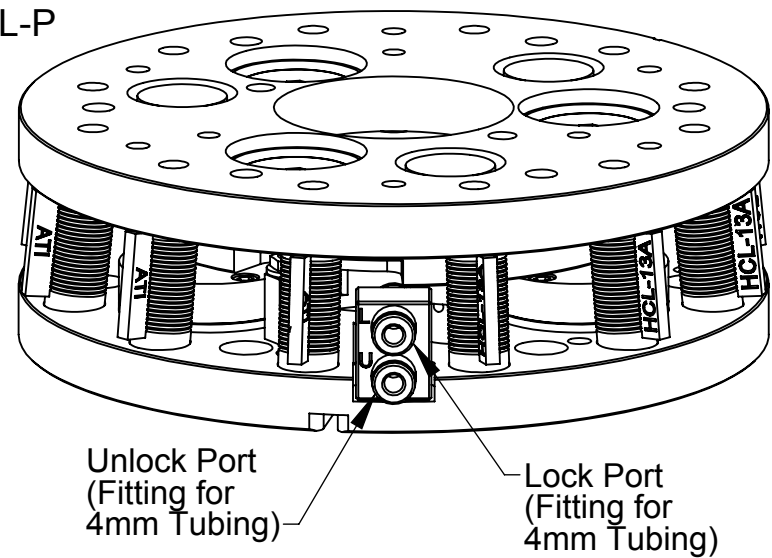


| Rev. | Description | Initiator | Date |
|------|---------------|-----------|----------|
| 01 | Initial Issue | PS | 9/6/2005 |



Part Number:
9116-413-D-L-P

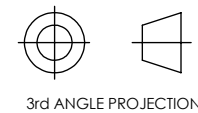


Notes:
1. Unit shown with optional lock-up and lock sensing.

NOTES: UNLESS OTHERWISE SPECIFIED
 DO NOT SCALE DRAWING. DRAWN IN SOLIDWORKS.
 ALL DIMENSIONS ARE IN MILLIMETERS.



1031 Goodworth Drive, Apex, NC 27539, USA
 Tel: +1.919.772.0115 Email: info@ati-ia.com
 Fax: +1.919.772.8259 www.ati-ia.com
 ISO 9001 Registered Company



| | | | |
|-----------------------------|--|-----------|-----------------------------------|
| DRAWN BY: P.Sparrow, 9/6/05 | TITLE Compensator 9116 Series 400 w/ Lock-up & Lock Sensing | | |
| CHECKED BY: J.Snape, 9/7/05 | SCALE 5:8 | SIZE B | DRAWING NUMBER 9230-15-1034-01 |
| WEIGHT LBS: | PRODUCT RELEASE # 050629-1 | | DATE: |
| ASSEMBLY REF: | SHEET 1 OF 1 | | |