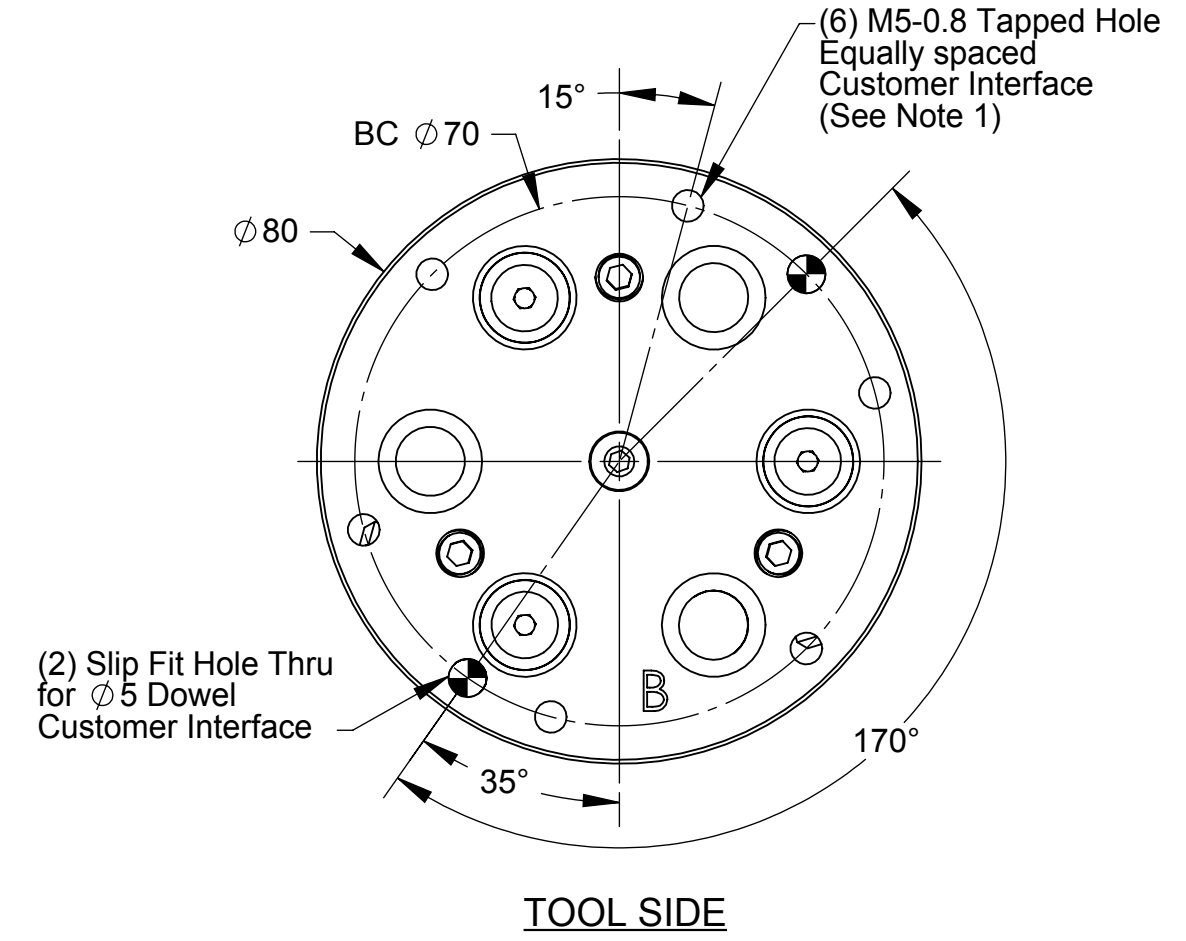
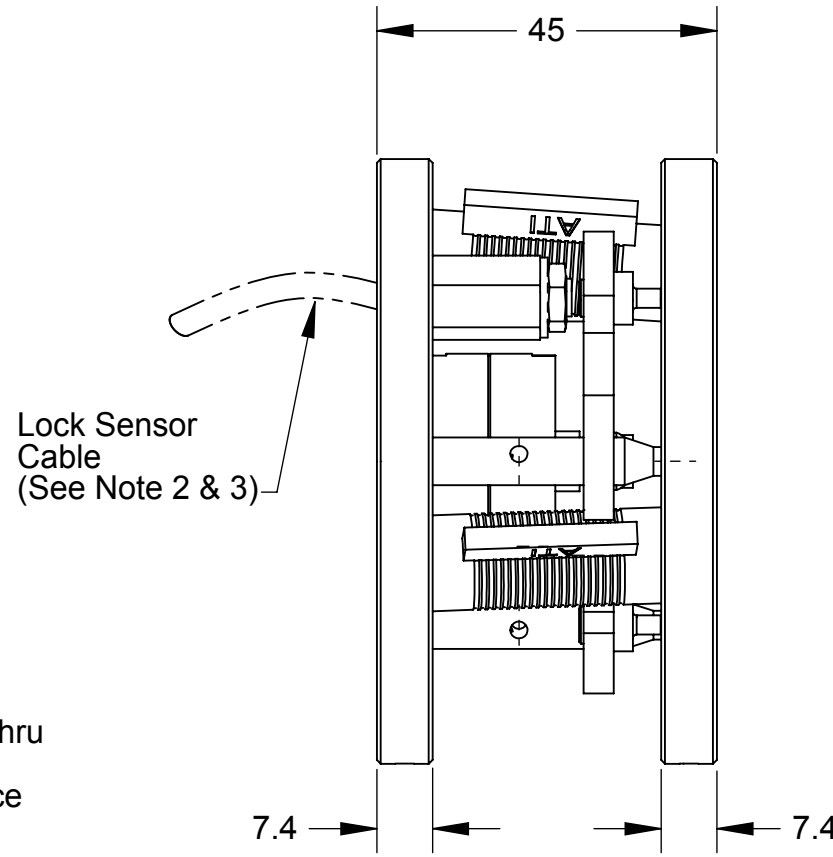
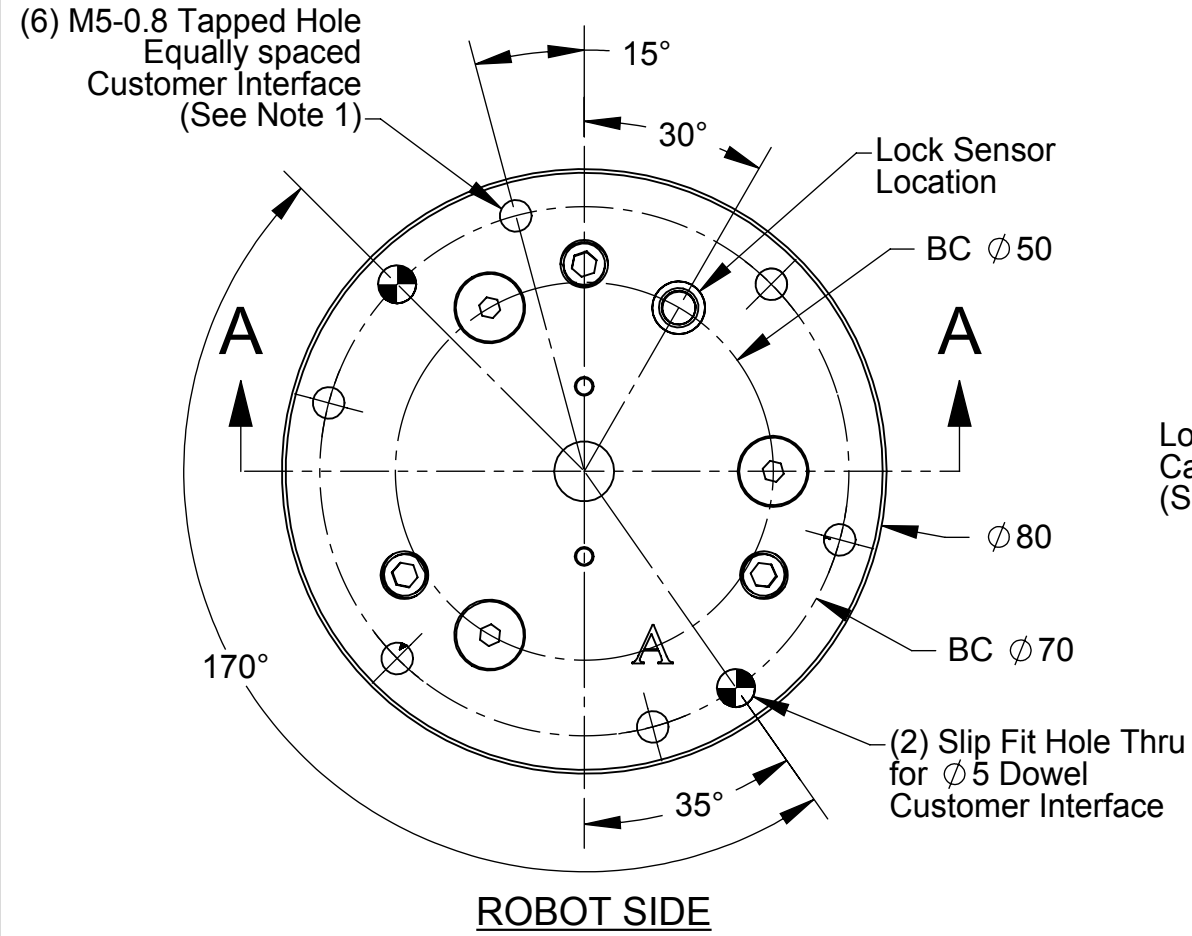
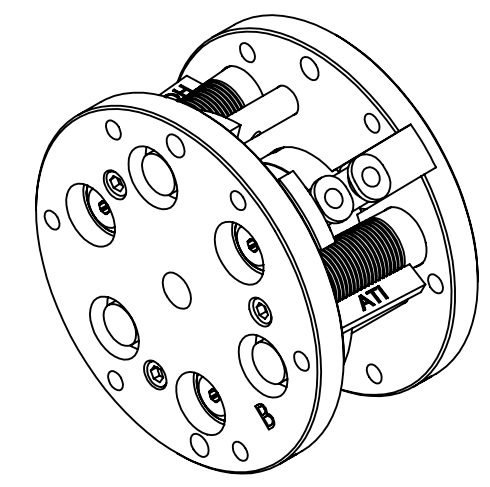


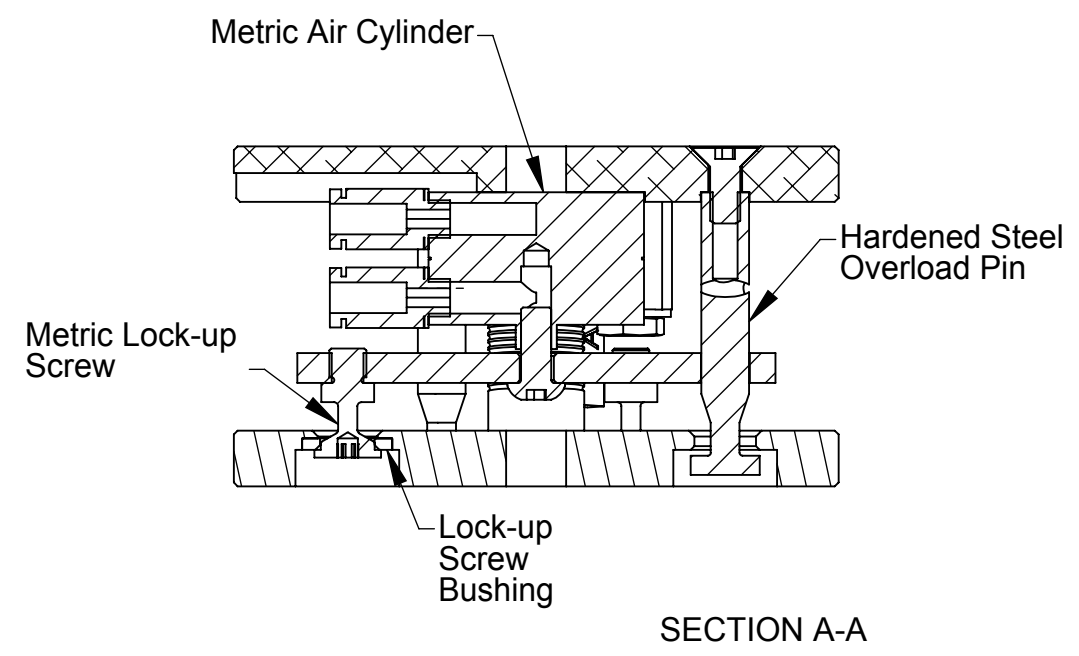
Rev.	Description	Initiator	Date
06	Updated note 2.	PS	6/21/2005



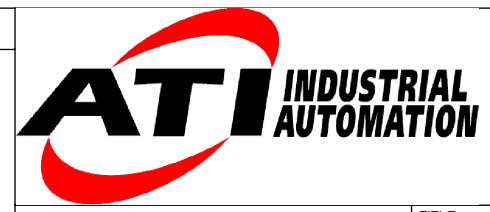
- Notes:
1. Also option of using M4 SHCS thru the M5 tapped hole for mounting.
  2. Robot side interface plate must accommodate sensor cable. Recommended sensor cable exit slot dimensions, 6mm wide by 9mm deep.
  3. Lock-up and Lock Sensing optional.



Part Number:  
9116-112-B-L-S



NOTES: UNLESS OTHERWISE SPECIFIED  
 DO NOT SCALE DRAWING. DRAWN IN SOLIDWORKS.  
 ALL DIMENSIONS ARE IN MILLIMETERS.



1031 Goodworth Drive, Apex, NC 27539, USA  
 Tel: +1.919.772.0115 Email: info@ati-ia.com  
 Fax: +1.919.772.8259 www.ati-ia.com  
 ISO 9001 Registered Company

DRAWN BY: J.Snape, 6/8/04		TITLE	
CHECKED BY: P. Sparrow, 6/9/04		Compensator 9116 Series 100 w/ Lock-up & Sensor Ready	
WEIGHT LBS: 0.740	SCALE 1:1	SIZE B	DRAWING NUMBER 9230-15-1024-06
ASSEMBLY REF:	PRODUCT RELEASE # 040123-1 DATE:		SHEET 1 OF 1

