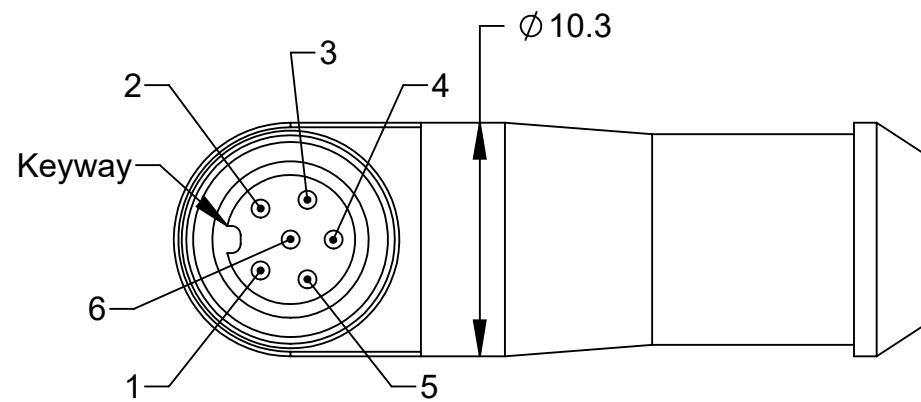
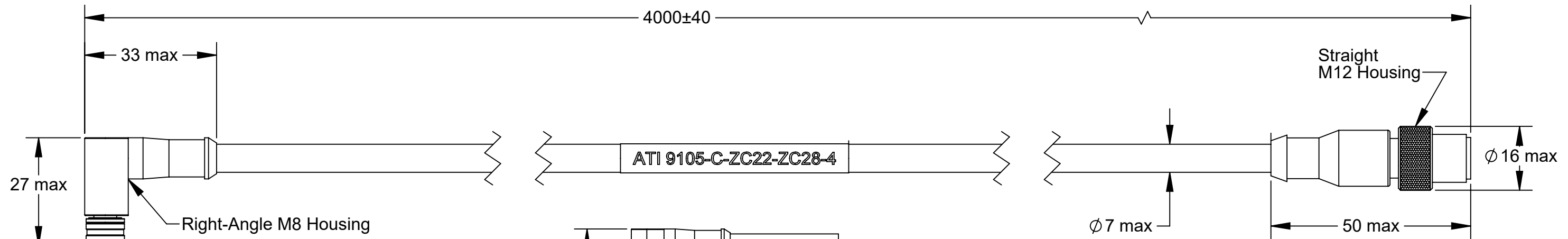
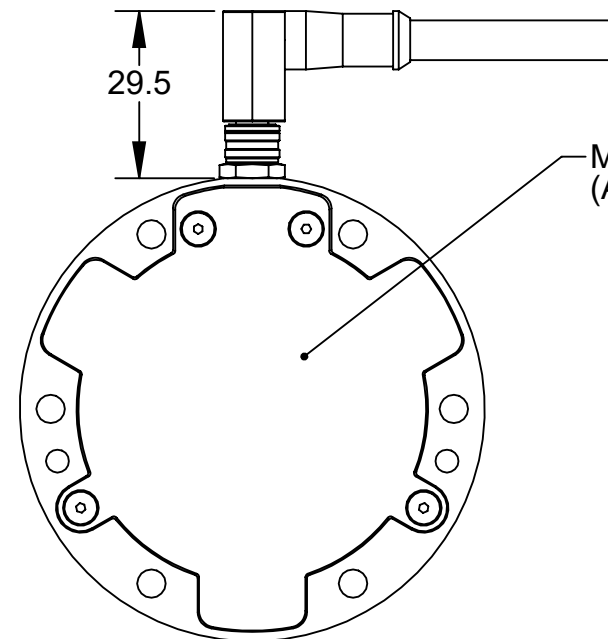


REV.	DESCRIPTION	INITIATOR	DATE
01	Drawing Release	RTD	2/11/2019
02	ECO 17819; Updated rating to IP64.	MLS	4/10/2019
03	ECO 18925: Added updated model to drawing. Updated views for customer clarity.	TBC	9/20/2021



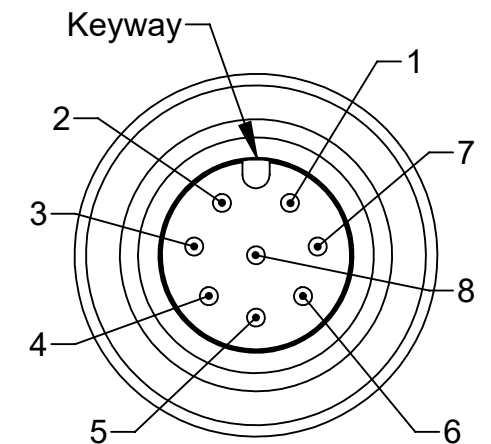
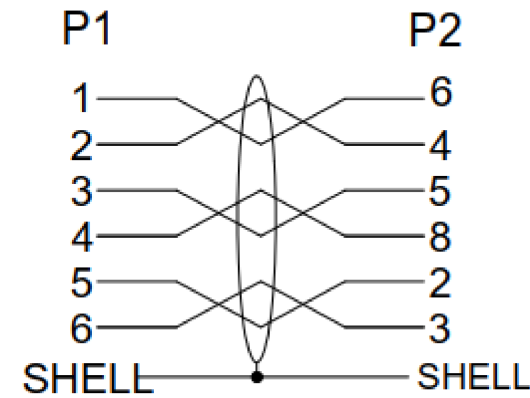
P1
6 Pin Female A-Coded M8 Connector
with threaded locking feature -
shield passed through the nut
Scale 3:1



Scale 3:4

Mounting side of Axia80 sensor
(Axia80 sensor not included)

Note Twisted Pairs
PIN ASSIGNMENT



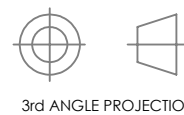
P2
8 Pin Male A-Coded M12 Connector
with threaded locking feature -
shield passed through the nut
Scale 3:1

Notes:

1. Cable Assembly is RoHS-compliant
2. Minimum Operating Temperature <-5°C
3. Maximum Operating Temperature >70°C
4. Cable is flex rated to >10 million tick-tock cycles at a bend radius equal to 50mm.
5. Cable is torsion rated to >2.5 million twisting cycles of 180°/m
6. Cable is rated to at least IP64 when connectors mated on both ends

NOTES: UNLESS OTHERWISE SPECIFIED.

DO NOT SCALE DRAWING. ALL DIMENSIONS ARE IN MILLIMETERS.



1031 Goodworth Drive, Apex, NC 27539, USA
Tel: +1.919.772.0115 www.ati-ia.com
Fax: +1.919.772.8259 ISO 9001 Registered Company

PROPERTY OF ATI INDUSTRIAL AUTOMATION, INC. NOT TO BE REPRODUCED IN ANY MANNER EXCEPT ON ORDER OR WITH PRIOR WRITTEN AUTHORIZATION OF ATI.

DRAWN BY: R.Dupree 02/11/19		TITLE	
CHECKED BY: A.Gluesic 02/11/19		Cable, 6 Pin Axia sensor to 8 pin M12, 4m, Shielded Shell	
PROJECT # -	SHEET 1 OF 1	SCALE	REVISION
		1:1	03
		SIZE	DRAWING NUMBER
		B	9230-05-1554